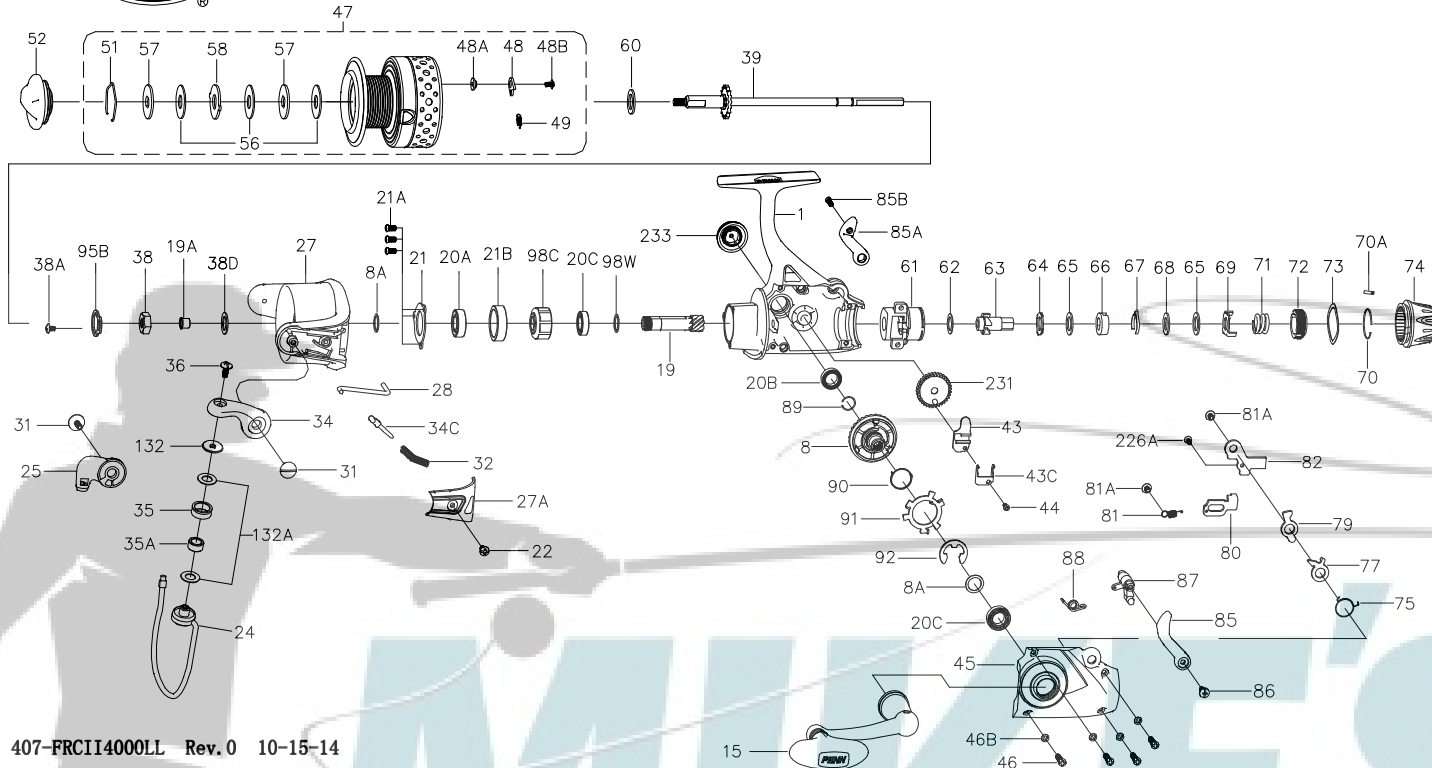




PARTS LIST FOR MODEL FRCII4000LL



407-FRCII4000LL Rev.0 10-15-14

1364048

| KEY NO. | PART NO. | DESCRIPTION |
|---------|----------|---|
| 1 | 1371349 | 1-FRCII4000LL Housing Assembly |
| 8 | 1371350 | 8-FRCII4000LL Main Gear |
| 8A | 1191028 | 8A-3000SG Shim (2 req) |
| 15 | 1365723 | 15-FRCII4000 Handle Assembly |
| 19 | 1191231 | 19-3000SG Pinion Gear |
| 19A | 1191252 | 19A-3000SG Pinion Bushing |
| 20A | 1203973 | 20A-3000PUR Upper Pinion Ball Bearing |
| 20B | 1203974 | 20B-3000PUR Housing Ball Bearing |
| 20C | 1203975 | 20C-3000PUR Ball Bearing (2 req) |
| 21 | 1308052 | 21-CFT3000 Bearing Retainer |
| 21A | 1192644 | 21A-3000SG Bearing Retainer Screw (3 req) |
| 21B | 1308053 | 21B-CFT3000 Collar |
| 22 | 1251743 | 22-1000FRC Bail Pivot Cover Screw |
| 24 | 1308055 | 24-CFT4000 Bail Wire |
| 25 | 1308056 | 25-CFT3000 Bail Holder |

| KEY NO. | PART NO. | DESCRIPTION |
|---------|----------|--|
| 27 | 1371439 | 27-FRCII4000LL Rotor |
| 27A | 1308060 | 27A-CFT4000 Bail Pivot Cover |
| 28 | 1308062 | 28-CFT4000 Trip Lever |
| 31 | 1308063 | 31-CFT3000 Bail Arm Screw (2 req) |
| 32 | 1191586 | 32-3000SG Bail Spring |
| 34 | 1308064 | 34-CFT3000 Bail Arm |
| 34C | 1308065 | 34C-CFT3000 Pivot Arm |
| 35 | 1308066 | 35-CFT3000 Line Roller |
| 35A | 1308067 | 35A-CFT3000 Line Roller Bushing |
| 36 | 1191699 | 36-3000SG Bail Stud Screw |
| 38 | 1191728 | 38-3000SG Rotor Nut |
| 38A | 1308069 | 38A-CFT3000 Rotor Locking Plate Screw |
| 38D | 1308070 | 38D-CFT3000 Rotor Nut Washer |
| 39 | 1371351 | 39-FRCII4000LL Main Shaft Assembly |
| 43 | 1371352 | 43-FRCII4000LL Crosswind Block |
| 43C | 1371353 | 43C-FRCII4000LL Main Shaft Holder |
| 44 | 1371354 | 44-FRCII4000LL Crosswind Block Screw |
| 45 | 1371355 | 45-FRCII4000LL Housing Cover Assembly |
| 46 | 1371356 | 46-FRCII4000LL Housing Cover Screw (4 req) |
| 46B | 1191907 | 46B-3000SG Housing Cover Washer (4 req) |

| KEY NO. | PART NO. | DESCRIPTION |
|---------|----------|--|
| 47 | 1371436 | 47-FRCII4000LL Spool Assembly |
| 48 | 1211604 | 48-3000SG Click Tongue |
| 48A | 1214226 | 48A-3000SG Click Tongue Washer |
| 48B | 1214189 | 48B-3000SG Spool Click Screw |
| 49 | 1211605 | 49-3000SG Click Tongue Spring |
| 51 | 1308078 | 51-CFT3000 Drag Retaining Ring |
| 52 | 1365728 | 52-FRCII4000 Drag Knob Assembly |
| 56 | 1192035 | 56-3000SG Drag Washer (3 req) |
| 57 | 1192043 | 57-3000SG Keyed Washer (2 req) |
| 58 | 1192052 | 58-3000SG Eared Washer |
| 60 | 1192060 | 60-3000SG Thrust Washer |
| 61 | 1371357 | 61-FRCII4000LL Rear Drag Bracket |
| 62 | 1371358 | 62-FRCII4000LL Washer |
| 63 | 1371359 | 63-FRCII4000LL Ratchet |
| 64 | 1371360 | 64-FRCII4000LL Eared Washer |
| 65 | 1371361 | 65-FRCII4000LL Friction Washer (2 req) |
| 66 | 1371362 | 66-FRCII4000LL Click Spring Sleeve |
| 67 | 1371363 | 67-FRCII4000LL Click Spring |
| 68 | 1371364 | 68-FRCII4000LL Keyed Drag Washer |
| 69 | 1371365 | 69-FRCII4000LL Eared Washer |
| 70 | 1371366 | 70-FRCII4000LL Retaining Ring |
| 70A | 1371367 | 70A-FRCII4000LL Click Pin |
| 71 | 1371368 | 71-FRCII4000LL Rear Drag Spring |
| 72 | 1371369 | 72-FRCII4000LL Drag Sleeve |
| 73 | 1371370 | 73-FRCII4000LL Spring Washer |
| 74 | 1371371 | 74-FRCII4000LL Rear Drag |
| 75 | 1371372 | 75-FRCII4000LL Release Pawl Spring |
| 77 | 1371373 | 77-FRCII4000LL Release Pawl |
| 79 | 1371374 | 79-FRCII4000LL Return pawl |
| 80 | 1371375 | 80-FRCII4000LL N-R Pawl |
| 81 | 1371376 | 81-FRCII4000LL N-R Pawl Spring |
| 81A | 1371377 | 81A-FRCII4000LL Screw (2 req) |
| 82 | 1371378 | 82-FRCII4000LL Retaining Plate |
| 85 | 1371379 | 85-FRCII4000LL Left Lever |
| 85A | 1371380 | 85A-FRCII4000LL Right Lever |
| 85B | 1371381 | 85B-FRCII4000LL Screw |
| 86 | 1371382 | 86-FRCII4000LL Screw |
| 87 | 1371383 | 87-FRCII4000LL Lever Bar |
| 88 | 1371384 | 88-FRCII4000LL Lever Spring |
| 89 | 1371385 | 89-FRCII4000LL Retaining Ring |
| 90 | 1371386 | 90-FRCII4000LL Release Spring |
| 91 | 1371387 | 91-FRCII4000LL Release Plate |
| 92 | 1371388 | 92-FRCII4000LL Retaining Washer |
| 95B | 1308081 | 95B-CFT3000 Rotor Locking Plate |
| 98C | 1308082 | 98C-CFT3000 Clutch/Sleeve Assembly |
| 98W | 1204004 | 98W-3000PUR Clutch Washer |
| 132 | 1192296 | 132-3000SG Roller Washer |
| 132A | 1192302 | 132A-3000SG Line Roller Washer (2 req) |
| 226A | 1192473 | 226A-3000SG Screw |
| 231 | 1200522 | 231-4000SG Crosswind Gear |
| 233 | 1211667 | 233-3000FRC Bearing Cover Assembly |