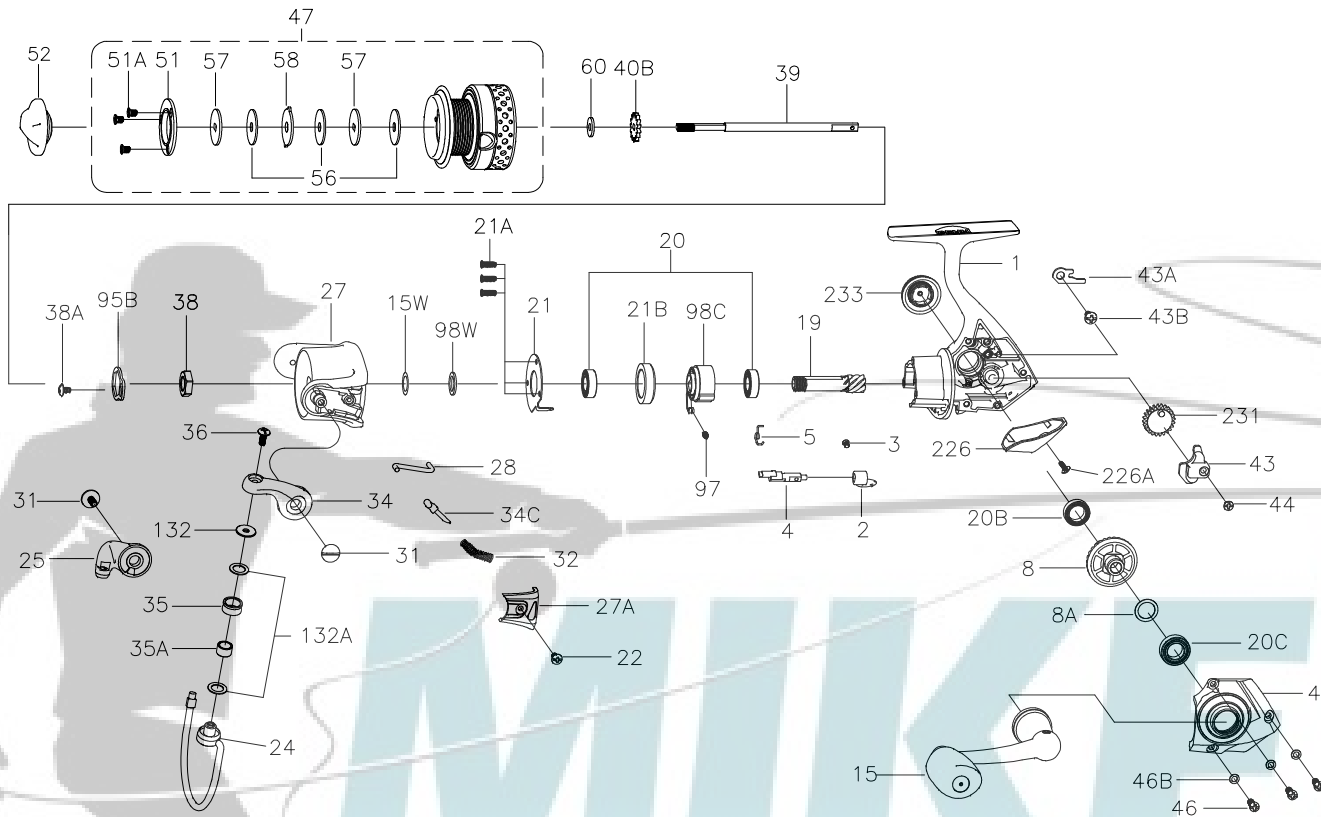




PARTS LIST FOR MODEL FRCII1000



KEY NO.	PART NO.	DESCRIPTION
21A	1207723	21A-1000SG Bearing Retainer Screw (3 req)
21B	1313845	21B-CFT1000 Collar
22	1203978	22-3000PUR Bail Pivot Cover Screw
24	1313846	24-CFT1000 Bail Wire
25	1313847	25-CFT1000 Bail Holder
27	1365538	27-FRCII1000 Rotor
27A	1313849	27A-CFT1000 Bail Pivot Cover
28	1313850	28-CFT1000 Trip Lever
31	1313814	31-CFT2500 Bail Arm Screw (2 req)
32	1191583	32-2000SG Bail Spring
34	1313851	34-CFT1000 Bail Arm
34C	1313816	34C-CFT2500 Pivot Arm
35	1313852	35-CFT1000 Line Roller
35A	1313818	35A-CFT2500 Line Roller Bushing
36	1251748	36-1000FRC Bail Stud Screw
38	1313853	38-CFT1000 Rotor Nut
38A	1203995	38A-3000PUR Rotor Locking Plate Screw
39	1313854	39-CFT1000 Main Shaft
40B	1191778	40B-2000SG Click Ratchet
43	1207729	43-1000SG Crosswind Block
43A	1207730	43A-1000SG Crosswind Block Plate
43B	1191826	43B-3000SG Crosswind Block Plate Screw
44	1191843	44-3000SG Crosswind Block Screw
45	1365709	45-FRCII1000 Housing Cover Assembly
46	1251750	46-1000FRC Housing Cover Screw (3 req)
46B	1191907	46B-3000SG Housing Cover Washer (3 req)
47	1365710	47-FRCII1000 Spool Assembly
51	1211578	51-2000BTL Retaining Spacer
51A	1191986	51A-3000SG Retaining Screw (3 req)
52	1365711	52-FRCII1000 Drag Knob Assembly
56	1192033	56-2000SG Drag Washer (3 req)
57	1251753	57-1000FRC Keyed Washer (2 req)
58	1192049	58-2000SG Eared Washer
60	1192059	60-2000SG Thrust Washer
95B	1308081	95B-CFT3000 Rotor Locking Plate
97	1192189	97-2000SG Clutch Spring
98C	1207734	98C-1000SG Clutch/Sleeve Assembly
98W	1338206	98W-SGII1000 Clutch Washer
132	1313860	132-CFT1000 Roller Washer
132A	1192301	132A-2000SG Line Roller Washer (2 req)
226	1313861	226-CFT1000 Rear Cover
226A	1192473	226A-3000SG Rear Cover Screw
231	1207737	231-1000SG Crosswind Gear
233	1211667	233-3000FRC Bearing Cover Assembly

KEY NO.	PART NO.	DESCRIPTION
1	1365535	1-FRCII1000 Housing Assembly
2	1190889	2-2000SG A/R Lever
3	1190922	3-2000SG A/R Lever Screw
4	1313805	4-CFT2500 A/R Shaft
5	1313839	5-CFT1000 A/R Spring
8	1313840	8-CFT1000 Main Gear
8A	1191028	8A-3000SG Shim
15	1365536	15-FRCII1000 Handle Assembly
15W	1316415	15W-CFT5000 Washer
19	1313842	19-CFT1000 Pinion Gear
20	1365537	20-FRCII1000 Ball Bearing (2 req)
20B	1203974	20B-3000PUR Housing Ball Bearing
20C	1203975	20C-3000PUR Housing Cover Ball Bearing
21	1313844	21-CFT1000 Bearing Retainer

407-FRCII1000 Rev.0 8-19-2014

1364031