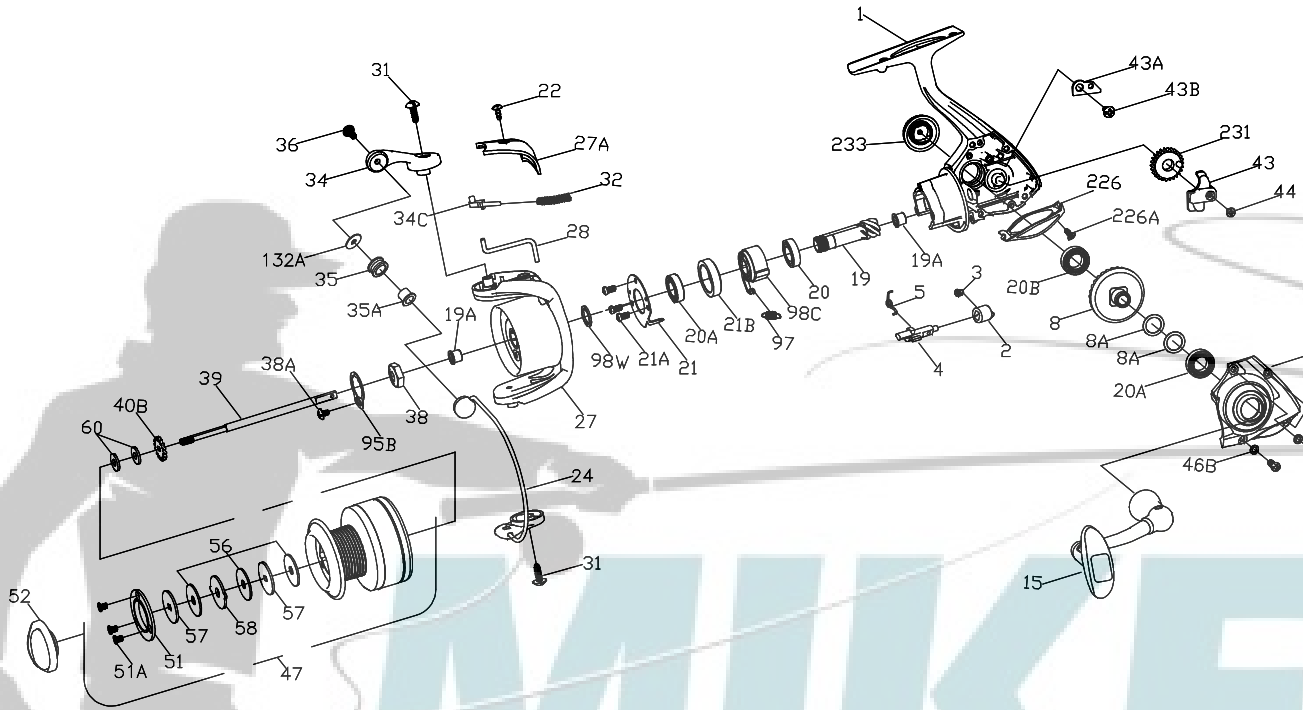




PARTS LIST FOR MODEL FIERCE 2000  
REEL PART NO.1206112



KEY NO.	PART NO.	DESCRIPTION
21A	1192644	21A-3000SG Bearing Retainer Screw (3 req)
21B	1192646	21B-2000SG Collar
22	1203978	22-3000PUR Bail Pivot Cover Screw
24	1211653	24-2000FRC Bail Wire Assembly
27	1211654	27-2000FRC Rotor (w/weight & screw)
27A	1211655	27A-2000FRC Bail Pivot Cover
28	1211656	28-2000FRC Trip Lever
31	1211657	31-2000FRC Bail Arm Screw (2 req)
32	1191583	32-2000SG Bail Spring
34	1211658	34-2000FRC Bail Arm
34C	1191648	34C-2000SG Pivot Arm
35	1211659	35-2000FRC Line Roller
35A	1211660	35A-2000FRC Line Roller Bushing
36	1192661	22-5000SG Bail Pivot Cover Screw
38	1191727	38-2000SG Rotor Nut
38A	1203995	38A-3000PUR Rotor Locking Plate Screw
39	1211661	39-2000FRC Spool Shaft
40B	1191778	40B-2000SG Click Ratchet
43	1191797	43-2000SG Crosswind Block
43A	1191817	43A-2000SG Crosswind Block Plate
43B	1191826	43B-3000SG Crosswind Block Plate Screw
44	1191843	44-3000SG Crosswind Block Screw
45	1211662	45-2000FRC Housing Cover
46	1191901	46-3000SG Housing Cover Screw (3 req)
46A	1191906	46A-3000SG Housing Cover Screw A
46B	1191907	46B-3000SG Housing Cover Washer (3 req)
47	1211663	47-2000FRC Spool Complete
51	1191975	51-2000SG Retaining Spacer
51A	1191986	51A-3000SG Retaining Screw (3 req)
52	1211664	52-2000FRC Drag Knob Assembly
56	1192033	56-2000SG Drag Washer (3 req)
57	1192041	57-2000SG Keyed Washer (2 req)
58	1192049	58-2000SG Earred Washer
60	1192059	60-2000SG Thrust Washer (2 req)
95B	1192185	95B-3000SG Rotor Locking Plate
97	1192189	97-2000SG Clutch Spring
98C	1192211	98C-2000SG Clutch/Sleeve Assembly
98W	1192228	98W-2000SG Clutch Washer
132A	1211665	132A-2000FRC Line Roller Washer
226	1211666	226-2000FRC Rear Cover
226A	1192473	226A-3000SG Rear Cover Screw
231	1192496	231-2000SG Crosswind Gear
233	1211667	233-3000FRC Bearing Cover Assembly
1	1211651	1-2000FRC Housing
2	1190889	2-2000SG A/R Lever
3	1190922	3-2000SG A/R Lever Screw
4	1190935	4-2000SG A/R Shaft
5	1190960	5-2000SG A/R Spring
8	1191017	8-3000SG Main Gear
8A	1191028	8A-3000SG Shim (2 req)
15	1211565	15-2000BTL Handle Assembly
19	1191227	19-2000SG Pinion
19A	1191250	19A-2000SG Pinion Bushing (2 req)
20	1192610	20-2000SG Lower Pinion Ball Bearing
20A	1203975	20C-3000PUR Ball Bearing (2 req)
20B	1203974	20B-3000PUR Housing Ball Bearing
21	1192629	21-2000SG Bearing Retainer