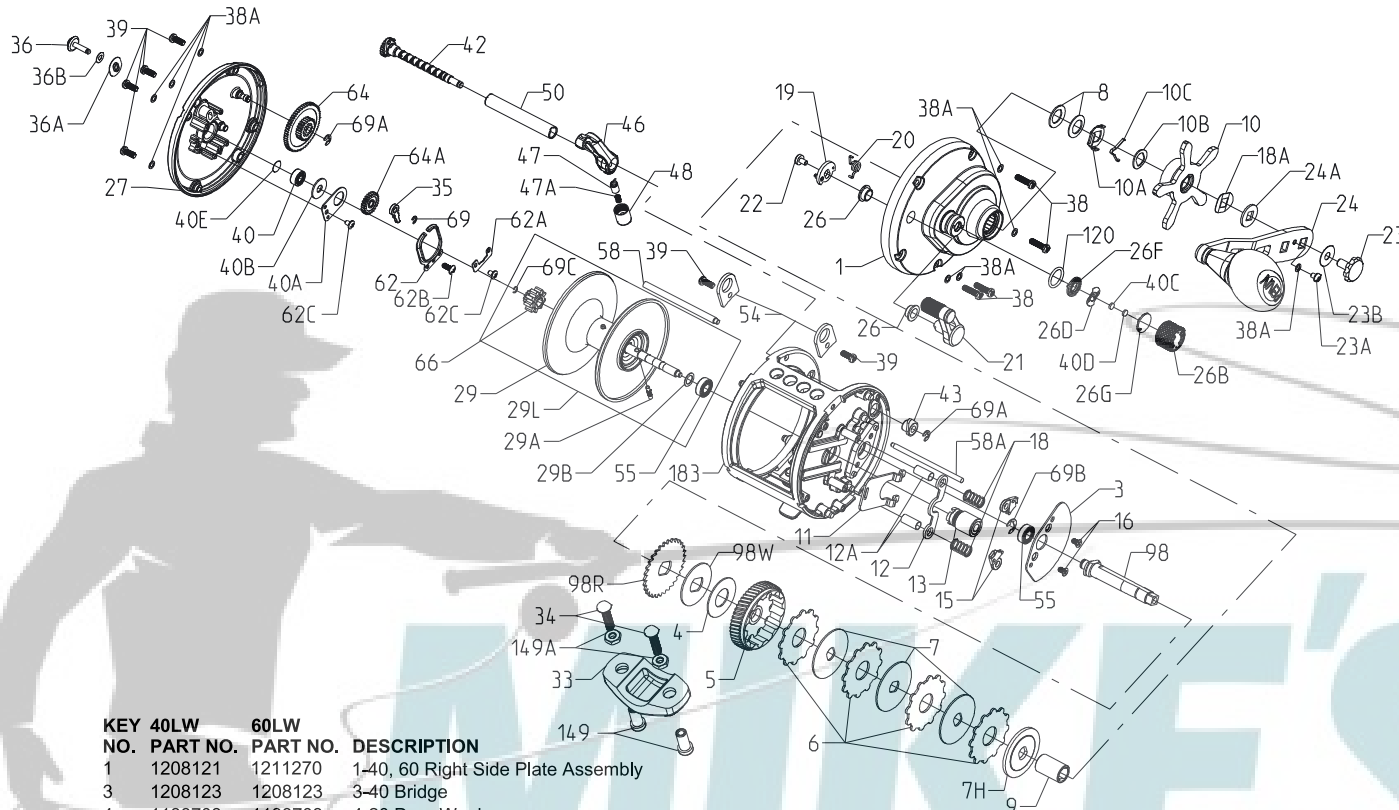




PARTS LIST FOR MODELS FATHOM 40LW AND 60LW



KEY 40LW NO.	40LW PART NO.	60LW PART NO.	DESCRIPTION
23	1208117	1208117	23-FTH20LW Handle Assembly screw
23A	1188717	1188717	23A-20 Handle Lock Screw
23B	1207784	1207784	23B-20 Handle Screw Washer
24	1188716	1188716	24-20 Handle Assembly
24A	1188715	1188715	24A-20 Handle Thrust Washer
26	1188692	1188692	26-20 Bushing (2 req)
26B	1208114	1208114	26B-FTH20LW Spool Tension Control Cap
26D	1125769	1125769	26D-525MAG2 Spool Tension Click Spring
26F	1125768	1125768	26F-525MAG2 Spool Tension Ratchet Inner
26G	1125772	1125772	26G-525MAG2 Spool Tension Ratchet Outer
27	1208125	1211269	27-40, 60 Left Side Plate
29	1208127	1208131	29-40, 60 Spool Sub-Assembly
29A	1188680	1188680	29A-20 Spool Shaft Pin
29B	1208078	1208078	29B-20 Washer
29L	1208128	1208132	29L-40, 60 Spool Assembly
33	1208077	1208077	33-40 Rod Clamp
34	1128058	1128058	34-20 Rod Clamp Screw (2 req)
35	1188656	1188656	35-20 Click Tongue
36	1208124	1208124	36-40 Click Button
36A	1208113	1208113	36A-FTH20LW Click Washer
36B	1188651	1188651	36B-20 Click PVC Washer
38	1188698	1188698	38-20 Screw M3x12 (4 req)
38A	1188649	1188649	38A-20 Flat Washer (9 req)
39	1188638	1188638	39-20 Screw M3x8 (6 req)
40	1188661	1188661	40-20 Ball Bearing 4x10x4
40A	1188663	1188663	40A-20 Ball Bearing Retainer
40B	1188662	1188662	40B-20 Felt Washer
40C	1208115	1208115	40C-525MAG2 Washer, Metal Thrust
40D	1125771	1125771	40D-525MAG2 Washer, Rubber Thrust
40E	1188660	1188660	40E-20 Bronze Washer
42	1208072	1208082	42-40, 60 Worm Shaft Assembly
43	1188669	1188669	43-20 Worm Shaft Bushing
46	1208129	1208129	46-40 Line Guide Assembly
47	1188672	1188672	47-20 Line Guide Pawl
47A	1188673	1188673	47A-20 Line Guide Spring
48	1208120	1208120	48-20 Line Guide Nut
50	1208071	1208081	50-40, 60 Worm Shield
54	1208069	1208069	54-40 Harness lug (2 req)
55	1188681	1188681	55-20 Ball Bearing 6x12x4 (2 req)
58	1208066	1208080	58-40, 60 Line Guide Post
58A	1208065	1208079	58A-40, 60 Line Guide Guard Post
62	1188664	1188664	62-20 Click Spring
62A	1188653	1188653	62A-20 Click Spring Guard
62B	1188665	1188665	62B-20 Screw M2.6x7.5
62C	1188654	1188654	62C-20 Screw M2.6x4 (2 req)
64	1188658	1188658	64-20 Idler Gear
64A	1208073	1208073	64A-40 Idler gear
66	1188678	1188678	66-20 Spool Gear, Click Ratchet
69	1188657	1188657	69-20 Retainer 2x5
69A	1188659	1188659	69A-20 Retainer 3x7 (2 req)
69B	1208064	1208064	69B-40 Retainer 5x10
69C	1188677	1188677	69C-20 Retainer "C" Ring
98	1207787	1207787	98-40 Main Gear Shaft
98R	1188701	1188701	98R-20 Ratchet
98W	1188702	1188702	98W-20 Ratchet Thrust Washer
120	1184522	1184522	120 113H O-Ring
149	1128059	1128059	149-20 Rod Clamp Nut (2 req)
149A	1116161	1116161	149A-20 Hex Nut (2 req)
183	1208122	1208130	183-40, 60 Frame

KEY 40LW NO.	40LW PART NO.	60LW PART NO.	DESCRIPTION
1	1208121	1211270	1-40, 60 Right Side Plate Assembly
3	1208123	1208123	3-40 Bridge
4	1188703	1188703	4-20 Drag Washer
5	1207786	1207786	5-40 Main gear
6	1188705	1188705	6-20 Tab Drag Washer (4 req)
7	1188706	1188706	7-20 Key Metal Drag Washer (3 req)
7H	1188707	1188707	7H-20 Heavy Metal Drag Washer
8	1188709	1188709	8-20 Spring Washer (2 req)
9	1188708	1188708	9-20 Spacer Sleeve
10	1188713	1188713	10-20 Star Drag
10A	1188711	1188711	10A-20 Star Click Retainer
10B	1188710	1188710	10B-20 Star Click Washer
10C	1188712	1188712	10C-525MAG2 Star Click Spring
11	1208067	1208067	11-40 Eccentric Jack
12	1188687	1188687	12-20 Pinion Yoke
12A	1208062	1208062	12A-20 Yoke Post Bushing (2 req)
13	1188683	1188683	13-20 Pinion
15	1188675	1188675	15-20 Anti Reverse Dog (2 req)
16	1188686	1188686	16-20 Bridge Screw (2 req)
18	1188688	1188688	18-20 Pinion Yoke spring (2 req)
18A	1188714	1188714	18A-20 Keyed Spring Washer
19	1188691	1188691	19-20 Eccentric
20	1188689	1188689	20-20 Eccentric Spring
21	1208126	1208126	21-40 Eccentric Lever
22	1188690	1188690	22-20 Eccentric Screw