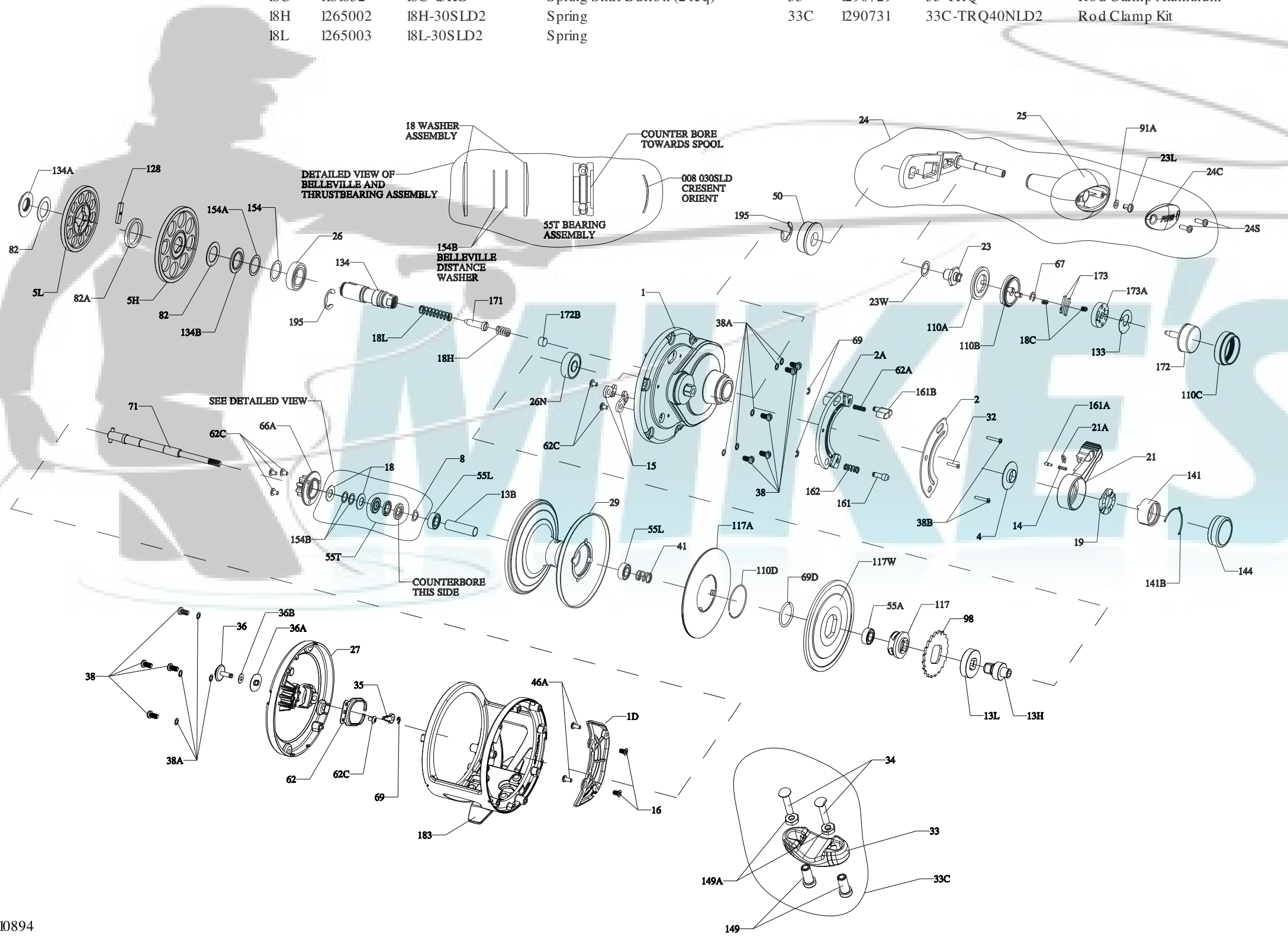




Key No.	Part No.	PENN Style No.	Description	Key No.	Part No.	PENN Style No.	Description	Key No.	Part No.	PENN Style No.	Description
1	1309861	1-FTH40NLD2	Right Side Plate Assembly	19	1296248	19-TRQ40NLD2	Drag Cam	34	1182788	34-45	Screw, Rod Clamp (2 req)
1D	1309865	1D-FTH40NLD2	Bridge	21	1265010	21-TRQ40NLD2SMK	Lever Drag	35	1188656	35-20	Click Tongue
2	1264974	2-TRQ40NLD2SMK	Quadrant (Gun Smoke)	21A	1265011	21A-TRQ30LD2	Lever Quadrant Spacer	36	1309882	36-FTH40NLD2	Click Button
2A	1264977	2A-TRQ40NLD2	Drag Lever Ratchet	23	1229458	23-12VS	Screw, Handle Nut	36A	1309883	36A-FTH40NLD2	Click Washer
4	1264978	4-TRQ15LD2	Lever Washer	23L	1191283	23L-750	Screw	36B	1188651	36B-20	Washer
5H	1264983	5-FTH40NLD2HS	Main Gear High Speed	23W	1286986	23W-TRQ40NLD2	Handle Nut Washer	38	1309885	38-FTH15LD2	Screw (9 req)
5L	1264984	5-FTH40NLD2LS	Main Gear Low Speed	24	1265018	24-TRQ40NLD2SMK	Handle Assembly	38A	1188649	38A-20	Flat Washer (9 req)
8	1257843	8-30SLD	Spring Washer	24C	1286717	24C-SQL50LW	Handle Knob Cap	38B	1265055	38-TRQ40NLD2S	Screw (2 req)
13B	1309869	13B-FTH40NLD2	Sleeve Spindle	24S	1265021	24S-TRQ40NLD2	Screw (Smoke) (2 req)	41	1265056	41-TRQ40NLD2	Drag Disengaging Spring
13H	1264995	13-FTH40NLD2HS	High Speed Pinion	25	1286716	25-SQL50	Handle Knob	46A	1183585	46A-4300	Cover Plate Screw (2 req)
13L	1264996	13-FTH40NLD2LS	Low Speed Pinion	26	1265023	26-TRQ40NLD2	Ball Bearing	50	1309889	50-FTH60LD2	Shield, Guard
14	1181406	14-535	Spring- Dog	26N	1182145	26N-25	Bearing- Ball	55A	1238912	55A-50SLD	Ball Bearing
15	1229374	15-TRQ40	Dog Asm (2 req)	27	1309874	27-FTH40NLD2	Left Side Plate Assembly	55L	1286985	55L-20	Ball Bearing (2 req)
16	1188686	16-20	Bridge Screw (2 req)	29	1309879	29-FTH40NLD2	Spool	55T	1238913	55T-30SLD	Thrust Bearing
18	1265001	18-TRQ40NLD2	Spring Washer (2 req)	32	1265049	32-TRQ15LD2S	Screw	62	1188664	62-20	Click Spring
18C	1181632	18C-15KG	Spring Shift Button (2 req)	33	1290729	33-TRQ	Rod Clamp Aluminum	62A	1236596	62-TRQ40	Spring Click Locator
18H	1265002	18H-30SLD2	Spring	33C	1290731	33C-TRQ40NLD2	Rod Clamp Kit	62C	1188654	62C-20	Screw (6 req)
18L	1265003	18L-30SLD2	Spring					66A	1265059	66A-FTHLD	Click Gear

PARTS LIST FOR MODEL
FATHOM 40N LD2
REEL PART NO. 1292934



66A	1265059	66A-FTHLD	Click Gear
67	1184105	67-30VS	Ring Retaining
69	1188657	69-20	Retainer (3 req)
69D	1265060	69D-FTH15LD	Retaining Ring
71	1309893	71-FTH40NLD2	Spindle Complete
82	1265070	82-TRQ40NLD2	Washer Teflon (2 req)
82A	1265071	82A-30SLD2	Washer Teflon
91A	1277514	91A-TRQ40NLD2	Handle Knob Washer
98	1265073	98-FTH40NLD2	Ratchet
110A	1230438	110A-12VS	Ring, Handle Screw Locking
110B	1265074	110B-TRQ40NLD2B	Base Assembled Black
110C	1265075	110C-12VSB	Retainer Shift Button Black
110D	1309895	110D-FTH15LD2	Retaining Ring
117	1309896	117-FTH15LD2	Drive Plate
117A	1309899	117A-FTH40NLD2	Drag Washer (Assembly)
117W	1309902	117W-FTH40NLD2	Drag Washer Metal
128	1265084	128-30SLD2	Shift Key
133	1230583	133-12VS	Plate Retaining
134	1265085	134-30SLD2	Gear Stud
134A	1265086	134A-30SLD2	Nut Gear Stud
134B	1265087	134B-30SLD2	Washer Support Gear Stud
141	1265088	141-TRQ15LD2	Cam Follower
141B	1265089	141B-TRQ15LD2	Preset Knob Click Spring
144	1265090	144-TRQ15LD2B	Preset Knob (Black)
149	1184702	149-45	Rod Clamp Nut (2 req)
149A	1184706	149-200	Hex Nut (2 req)
154	1265092	154-TRQ40NLD2	Gear Stud Shim (As Required)
154A	1306668	154A-TRQ40NLD2	Gear Stud Shim (As Required)
154B	1309903	154B-FTH25NLD2	Belleville Distance Washer (2 req)
161	1265097	161-TRQ40NLD2	Locating Button
161A	1265098	161A-TRQ15LD2	Lever Click Pin
161B	1265099	161B-TRQ40NLD2	Strike Button
162	1318280	162-TRQ40NLD2	Spring
171	1265101	171-30SLD2	Plunger Gear Shift
172	1265102	172-12VSB	Shift Button Assembly Black
172B	1184831	172B-30VS	Spacer
173	1192384	173-12VS	Catch, Shifter (2 req)
173A	1230664	173A-12VS	Holder Catch
183	1309908	183-FTH40NLD2	Frame Assembly
195	1184955	195-40	Retaining Ring (2 req)