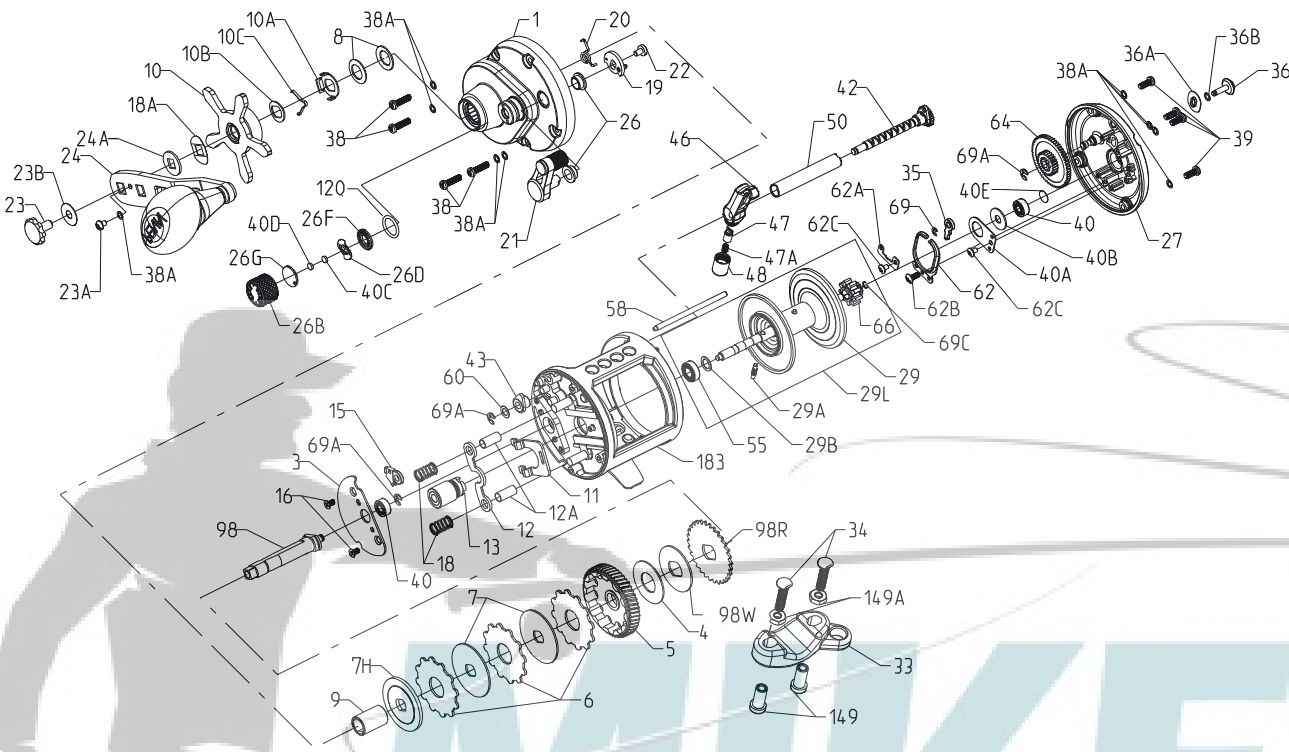




PARTS LIST FOR MODELS FATHOM 20LWLH AND 25LWLH

REEL PART NOs. 1259867(FTH20LWLH)&1259868(FTH25LWLH)



KEY NO.	20LWLH PART NO.	25LWLH PART NO.	DESCRIPTION
1	1275559	1275560	1-FTH 20LWLH,25LWLH Left side plate Assembly
3	1275563	1275563	3-FTH20LWLH Bridge
4	1188703	1188703	4-20 Drag Washer
5	1275565	1275565	5-FTH20LWLH Main Gear
6	1188705	1188705	6-20 Tab Drag Washer (3 req)
7	1188706	1188706	7-20 Key Metal Drag Washer (2 req)
7H	1188707	1188707	7H-20 Heavy Metal Drag Washer
8	1188709	1188709	8-20 Spring Washer (2 req)
9	1188708	1188708	9-20 Spacer Sleeve
10	1275218	1275218	10-FTH20LWLH Star Drag
10A	1188711	1188711	10A-20 Star Click Retainer
10B	1188710	1188710	10B-20 Star Click Washer
10C	1188712	1188712	10C-525MAG2 Star Click Spring
11	1188684	1188684	11-20 Eccentric Jack
12	1188687	1188687	12-20 Pinion Yoke
12A	1208062	1208062	12A-20 Yoke Post Bushing (2 req)
13	1275564	1275564	13-FTH20LWLH Pinion
15	1188675	1188675	15-20 Anti Reverse Dog
16	1188686	1188686	16-20 Bridge Screw (2 req)
18	1188688	1188688	18-20 Pinion Yoke spring (2 req)
18A	1188714	1188714	18A-20 Keyed Spring Washer
19	1275561	1275561	19-FTH20LWLH Eccentric
20	1188689	1188689	20-20 Eccentric Spring

KEY NO.	20LWLH PART NO.	25LWLH PART NO.	DESCRIPTION
21	1188697	1188697	21-20 Eccentric Lever
22	1188690	1188690	22-20 Eccentric Screw
23	1208117	1208117	23-FTH20LW Handle Assembly screw
23A	1188717	1188717	23A-20 Handle Lock Screw
23B	1207784	1207784	23B-20 Handle Screw Washer
24	1188716	1188716	24-20 Handle Assembly
24A	1188715	1188715	24A-20 Handle Thrust Washer
26	1188692	1188692	26-20 Bushing (2 req)
26B	1208114	1208114	26B-FTH20LW Spool Tension Control Cap
26D	1125769	1125769	26D-525MAG2 Spool Tension Click Spring
26F	1125768	1125768	26F-525MAG2 Spool Tension Ratchet Inner
26G	1125772	1125772	26G-525MAG2 Spool Tension Ratchet Outer
27	1275568	1275569	27-FTH20LWLH,25LWLH Right Side Plate
29	1188737	1188738	29-20, 25 Spool Sub-Assembly
29A	1188680	1188680	29A-20 Spool Shaft Pin
29B	1208078	1208078	29B-20 Washer
29L	1188743	1188744	29L-20, 25 Spool Assembly
33	1182754	N/A	33-113 Rod Clamp
* 33	N/A	* 1208077	* 33-40 Rod Clamp
34	1128058	1128058	34-20 Rod Clamp Screw (2 req)
35	1188656	1188656	35-20 Click Tongue
36	1208118	1208118	36-20 Click Button
36A	1208113	1208113	36A-FTH20LW Click Washer
36B	1188651	1188651	36B-20 Click PVC Washer
38	1188698	1188698	38-20 Screw M3x12 (4 req)
38A	1188649	1188649	38A-20 Flat Washer (9 req)
39	1188638	1188638	39-20 Screw M3x8 (4 req)
40	1188661	1188661	40-20 Ball Bearing 4x10x4 (2 req)
40A	1188663	1188663	40A-20 Ball Bearing Retainer
40B	1188662	1188662	40B-20 Felt Washer
40C	1208115	1208115	40C-525MAG2 Washer, Metal Thrust
40D	1125771	1125771	40D-525MAG2 Washer, Rubber Thrust
40E	1188660	1188660	40E-20 Bronze Washer
42	1188724	1188725	42- 20, 25 Worm Shaft Assembly
43	1188669	1188669	43-20 Worm Shaft Bushing
46	1208119	1208119	46-20 Line Guide Assembly
47	1188672	1188672	47-20 Line Guide Pawl
47A	1188673	1188673	47A-20 Line Guide Spring
48	1208120	1208120	48-20 Line Guide Nut
50	1188726	1188728	50-20, 25 Worm Shield
55	1188681	1188681	55-20 Ball Bearing 6x12x4
58	1188729	1188730	58-20, 25 Line Guide Post
60	1188670	1188670	60-20 Worm Shaft Washer
62	1188664	1188664	62-20 Click Spring
62A	1188653	1188653	62A-20 Click Spring Guard
62B	1188665	1188665	62B-20 Screw M2.6x7.5
62C	1188654	1188654	62C-20 Screw M2.6x4 (2 req)
64	1188658	1188658	64-20 Idler Gear
66	1188678	1188678	66-20 Spool Gear, Click Ratchet
69	1188657	1188657	69-20 Retainer 2x5
69A	1188659	1188659	69A-20 Retainer 3x7 (3 req)
69C	1188677	1188677	69C-20 Retainer "C" Ring
98	1275562	1275562	98-FTH20LWLH Main Gear Shaft
98R	1188701	1188701	98R-20 Ratchet
98W	1188702	1188702	98W-20 Ratchet Thrust Washer
120	1184522	1184522	120 113H O-Ring
149	1128059	1128059	149-20 Rod Clamp Nut (2 req)
149A	1116161	1116161	149A-20 Hex Nut (2 req)
183	1275566	1275567	183-FTH20LWLH,25LWLH Frame Assembly
*	Not Shown		

1275570