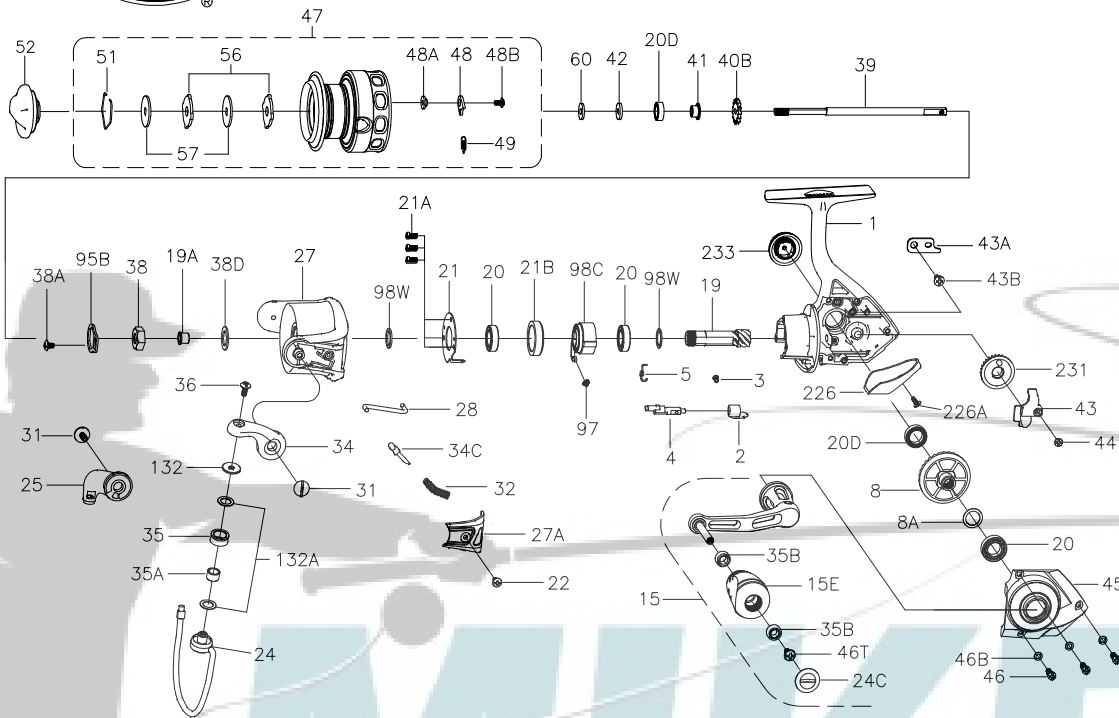




PARTS LIST FOR MODEL CFT2500



KEY NO.	PART NO.	DESCRIPTION
25	1313810	25-CFT2500 Bail Holder
27	1313811	27-CFT2500 Rotor
27A	1313812	27A-CFT2500 Bail Pivot Cover
28	1313813	28-CFT2500 Trip Lever
31	1313814	31-CFT2500 Bail Arm Screw (2 req)
32	1191583	32-2000SG Bail Spring
34	1313815	34-CFT2500 Bail Arm
34C	1313816	34C-CFT2500 Pivot Arm
35	1313817	35-CFT2500 Line Roller
35A	1313818	35A-CFT2500 Line Roller Bushing
35B	1316410	35B-CFT2000 Ball Bearing (2 req)
36	1251748	36-1000FRC Bail Stud Screw
38	1191727	38-2000SG Rotor Nut
38A	1203995	38A-3000PUR Rotor Locking Plate Screw
38D	1308070	38D-CFT3000 Rotor Nut Washer
39	1313819	39-CFT2500 Main Shaft
40B	1191778	40B-2000SG Click Ratchet
41	1211573	41-2000BTL Spool Bushing
42	1249042	42-1000BTL Spool Shaft Washer
43	1313820	43-CFT2500 Crosswind Block
43A	1191818	43A-3000SG Crosswind Block Plate
43B	1191826	43B-3000SG Crosswind Block Plate Screw
44	1191843	44-3000SG Crosswind Block Screw
45	1313821	45-CFT2500 Housing Cover Assembly
46	1191901	46-3000SG Housing Cover Screw (3 req)
46B	1191907	46B-3000SG Housing Cover Washer (3 req)
46T	1316411	46T-CFT2000 Screw
47	1313822	47-CFT2500 Spool Assembly
48	1211604	48-3000SG Click Tongue
48A	1214226	48A-3000SG Click Tongue Washer
48B	1211591	48B-3000BTL Spool Click Screw
49	1211605	49-3000SG Click Tongue Spring
51	1313823	51-CFT2500 Drag Retaining Ring
52	1313824	52-CFT2500 Drag Knob Assembly
56	1313825	56-CFT2500 Drag Washer (2 req)
57	1192041	57-2000SG Keyed Washer (2 req)
60	1192059	60-2000SG Thrust Washer
95B	1308081	95B-CFT3000 Rotor Locking Plate
97	1192189	97-2000SG Clutch Spring
98C	1192211	98C-2000SG Clutch/Sleeve Assembly
98W	1192229	98W-3000SG Upper Clutch Washer
98W	1204004	98W-3000PUR Lower Clutch Washer
132	1313826	132-CFT2500 Roller Washer
132A	1192301	132A-2000SG Line Roller Washer (2 req)
226	1313827	226-CFT2500 Rear Cover
226A	1192473	226A-3000SG Rear Cover Screw
231	1313828	231-CFT2500 Crosswind Gear
233	1308084	233-CFT3000 Bearing Cover Assembly

KEY NO.	PART NO.	DESCRIPTION
1	1313804	1-CFT2500 Housing Assembly
2	1190889	2-2000SG A/R Lever
3	1190922	3-2000SG A/R Lever Screw
4	1313805	4-CFT2500 A/R Shaft
5	1313806	5-CFT2500 A/R Spring
8	1308047	8-CFT3000 Main Gear
8A	1191028	8A-3000SG Shim
15	1313807	15-CFT2500 Handle Assembly
15E	1316318	15E-CFT2000 Handle Knob
19	1364313	19-BTLII2500 Pinion Gear
19A	1364314	19A-BTLII2500 Pinion Bushing
20	1308050	20-CFT3000 Ball Bearing (3 req)
20D	1211610	20D-5000BTL Housing Ball Bearing
20D	1211567	20D-2000BTL Spool Ball Bearing
21	1192629	21-2000SG Bearing Retainer
21A	1192644	21A-3000SG Bearing Retainer Screw (3 req)
21B	1192646	21B-2000SG Collar
22	1203978	22-3000PUR Bail Pivot Cover Screw
24	1313809	24-CFT2500 Bail Wire
24C	1316409	24C-CFT2000 Handle Knob Cap