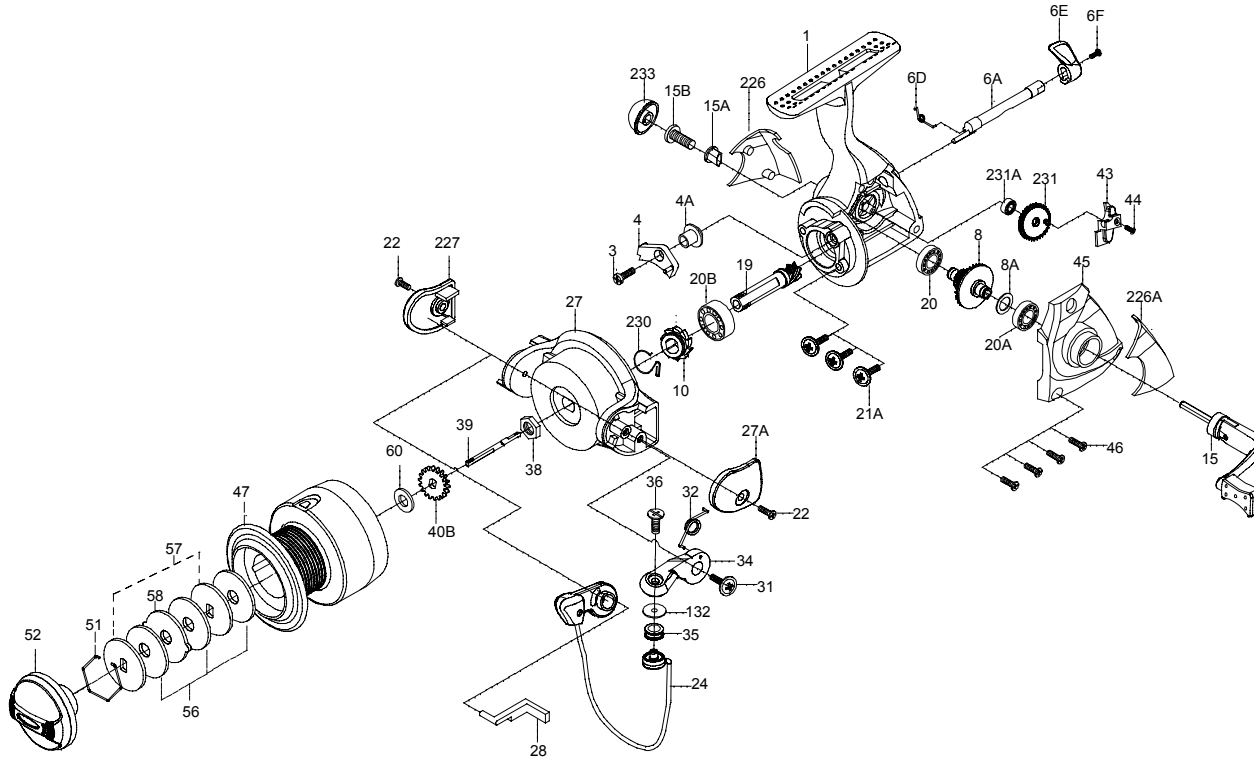




PARTS LIST FOR MODEL CV500



KEY NO.	DESCRIPTION	PART NO.
1	Housing	001 500CV
3	Dog Mounting Screw	003 500CV
4	Anti-Reverse Dog	004 500CV
4A	Anti-Reverse Dog Collar	004A500CV
6A	Eccentric	006A500CV
6D	Eccentric Spring	006D500CV
6E	Eccentric Lever	006E500CV
6F	Eccentric Lever Mounting Screw	006F500CV
8	Main Gear Assembly	008 500CV
8A	Main Gear Shim	008A500CV
10	Anti-Reverse Ratchet	010 500CV
15	Handle Assembly	015 500CV
15A	Handle Retaining Bushing	015A500CV
15B	Handle Retaining Screw	015B500CV
19	Pinion Gear	019 500CV
20	Housing Ball Bearing	020 500CV
20A	Housing Cover Ball Bearing	020A500CV
20B	Pinion Ball Bearing	020B500CV
21A	Bearing Mounting Screw (3 req.)	021A500CV
22	Cover Screw (2 req.)	022 500CV
24	Bail Wire	024 500CV
27	Rotor Cup	027 500CV
27A	Bail Pivot Cover	027A500CV
28	Trip Lever	028 500CV
31	Bail Arm Screw	031 500CV
32	Bail Arm Spring	032 500CV
34	Bail Arm	034 500CV
35	Line Roller	035 500CV
36	Bail Stud Screw	036 500CV
38	Rotor Nut	038 500CV
39	Spool Shaft	039 500CV
40B	Click Ratchet	040B500CV
43	Crosswind Block	043 500CV
44	Crosswind Block Screw	044 500CV
45	Housing Cover	045 500CV
46	Housing Cover Screws (4 req.)	046 500CV
47	Spool Assembly	047 500CV
51	Retaining Ring	051 500CV
52	Drag Knob	052 500CV
56	Friction Drag Washer (3 req.)	056 500CV
57	Keyed Washer (2 req.)	057 500CV
58	Drag Washer Eared	058 500CV
60	Thrust Washer	060 500CV
132	Roller Washer	132 500CV
226	R.S. Rear Cap	226 500CV
226A	L.S. Rear Cap	226A500CV
227	Cam Cover	227 500CV
230	Silent Dog Spring	230 500CV
231	Crosswind Gear	231 500CV
231A	Crosswind Gear Ball Bearing	231A500CV
233	Bearing Cover	233 500CV