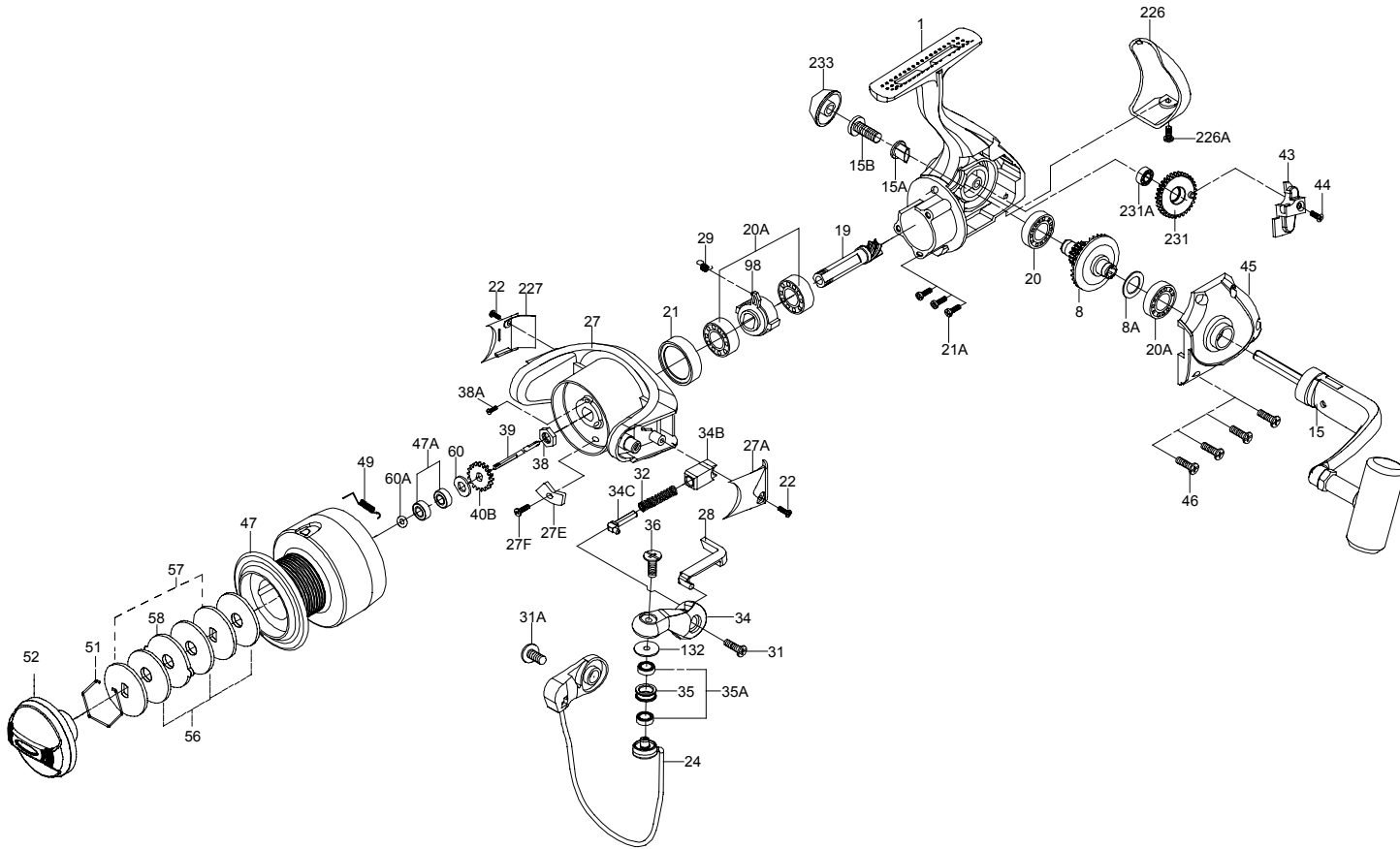




PARTS LIST FOR MODEL CV4000



KEY NO.	DESCRIPTION	PART NO.
1	Housing	001 4000CV
8	Main Gear Assembly	008 4000CV
8A	Main Gear Shim	008A500CV
15	Handle Assembly	015 4000CV
15A	Handle Retaining Bushing	015A500CV
15B	Handle Retaining Screw	015B500CV
19	Pinion Gear	019 4000CV
20	Housing Ball Bearing	020 500CV
20A	Housing Cover Ball Bearing	020A500CV
20A	Pinion Ball Bearing (2 req.)	020A500CV
21	Collar	021 4000CV
21A	Bearing Mounting Screw (3 req.)	021A2000CV
22	Cover Screw (2 req.)	022 500CV
24	Bail Wire	024 4000CV
27	Rotor Cup	027 4000CV
27A	Bail Pivot Cover	027A4000CV
27E	Balance Weight	027E4000CV
27F	Balance Weight Screw	027F2000CV
28	Trip Lever	028 4000CV
29	Spring	029 2000CV
31	Bail Arm Screw	031 2000CV
31A	Bail Wire Screw	031A2000CV
32	Bail Spring	032 4000CV
34	Bail Arm	034 4000CV
34B	Pivot Guide	034B4000CV
34C	Pivot Arm	034C4000CV
35	Line Roller	035 2000CV
35A	Line Roller Ball Bearing (2 req.)	035A2000CV
36	Bail Stud Screw	036 2000CV
39	Spool Shaft	039 4000CV
38	Rotor Nut	038 2000CV
38A	Rotor Nut Screw	038A2000CV
40B	Click Ratchet	040B2000CV
43	Crosswind Block	043 4000CV
44	Crosswind Block Screw	044 2000CV
45	Housing Cover	045 4000CV
46	Housing Cover Screws (4 req.)	046 500CV
47	Spool Assembly	047 4000CV
47A	Spool Ball Bearing (2 req.)	047A2000CV
49	Spool Click Spring	049 2000CV
51	Retaining Ring	051 2000CV
52	Drag Knob	052 4000CV
56	Friction Drag Washer (3 Req.)	056 2000CV
57	Keyed Washer (2 req.)	057 2000CV
58	Drag Washer Eared	058 2000CV
60	Thrust Washer	060 2000CV
60A	'O' Ring	060A2000CV
98	Clutch Retainer	098 2000CV
132	Roller Washer	132 2000CV
226	Rear Cap	226 4000CV
226A	Rear Cap Screw	226A2000CV
227	Cam Cover	227 4000CV
231	Crosswind Gear	231 4000CV
231A	Crosswind Gear Ball Bearing	020 500CV
233	Bearing Cover	233 500CV