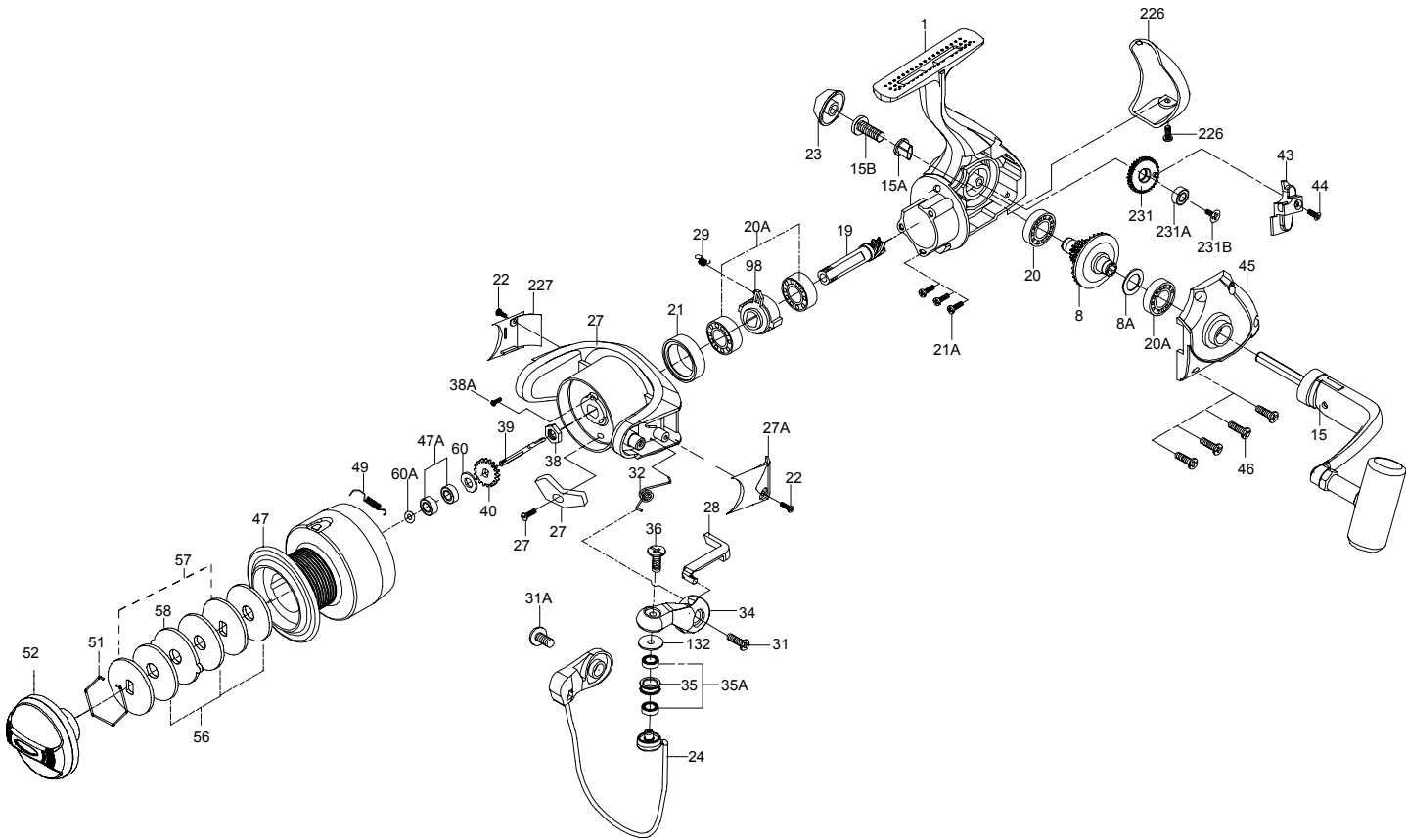




PARTS LIST FOR MODEL CV2000



KEY NO.	DESCRIPTION	PART NO.
1	Housing	001 2000CV
8	Main Gear Assembly	008 2000CV
8A	Main Gear Shim	008A500CV
15	Handle Assembly	015 2000CV
15A	Handle Retaining Bushing	015A500CV
15B	Handle Retaining Screw	015B500CV
19	Pinion Gear	019 2000CV
20	Housing Ball Bearing	020 500CV
20A	Housing Cover Ball Bearing	020A500CV
20A	Pinion Ball Bearing (2 req.)	020A500CV
21	Collar	021 2000CV
21A	Bearing Mounting Screw (3 req.)	021A2000CV
22	Cover Screw (2 req.)	022 500CV
24	Bail Wire	024 2000CV
27	Rotor Cup	027 2000CV
27A	Bail Pivot Cover	027A2000CV
27E	Balance Weight	027E2000CV
27F	Balance Weight Screw	027F2000CV
28	Trip Lever	028 2000CV
29	Spring	029 2000CV
31	Bail Arm Screw (2 req.)	031 2000CV
31A	Bail Wire Screw	031A2000CV
32	Bail Spring	032 2000CV
34	Bail Arm	034 2000CV
35	Line Roller	035 2000CV
35A	Line Roller Ball Bearing (2 req.)	035A2000CV
36	Bail Stud Screw	036 2000CV
38	Rotor Nut	038 2000CV
38A	Rotor Nut Screw	038A2000CV
39	Spool Shaft	039 2000CV
40B	Click Ratchet	040B2000CV
43	Crosswind Block	043 2000CV
44	Crosswind Block Screw	044 2000CV
45	Housing Cover	045 2000CV
46	Housing Cover Screws (4 req.)	046 500CV
47	Spool Assembly	047 2000CV
47A	Spool Ball Bearing (2 req.)	047A2000CV
49	Spool Click Spring	049 2000CV
51	Retaining Ring	051 2000CV
52	Drag Knob	052 2000CV
56	Friction Drag Washer (3 Req.)	056 2000CV
57	Keyed Washer (2 req.)	057 2000CV
58	Drag Washer Eared	058 2000CV
60	Thrust Washer	060 2000CV
60A	'O' Ring	060A2000CV
98	Clutch Retainer	098 2000CV
132	Roller Washer	132 2000CV
226	Rear Cap	226 2000CV
226A	Rear Cap Screw	226A2000CV
227	Cam Cover	227 2000CV
231	Crosswind Gear	231 2000CV
231A	Crosswind Gear Ball Bearing	231A2000CV
231B	Ball Bearing Screw	231B2000CV
233	Bearing Cover	233 500CV