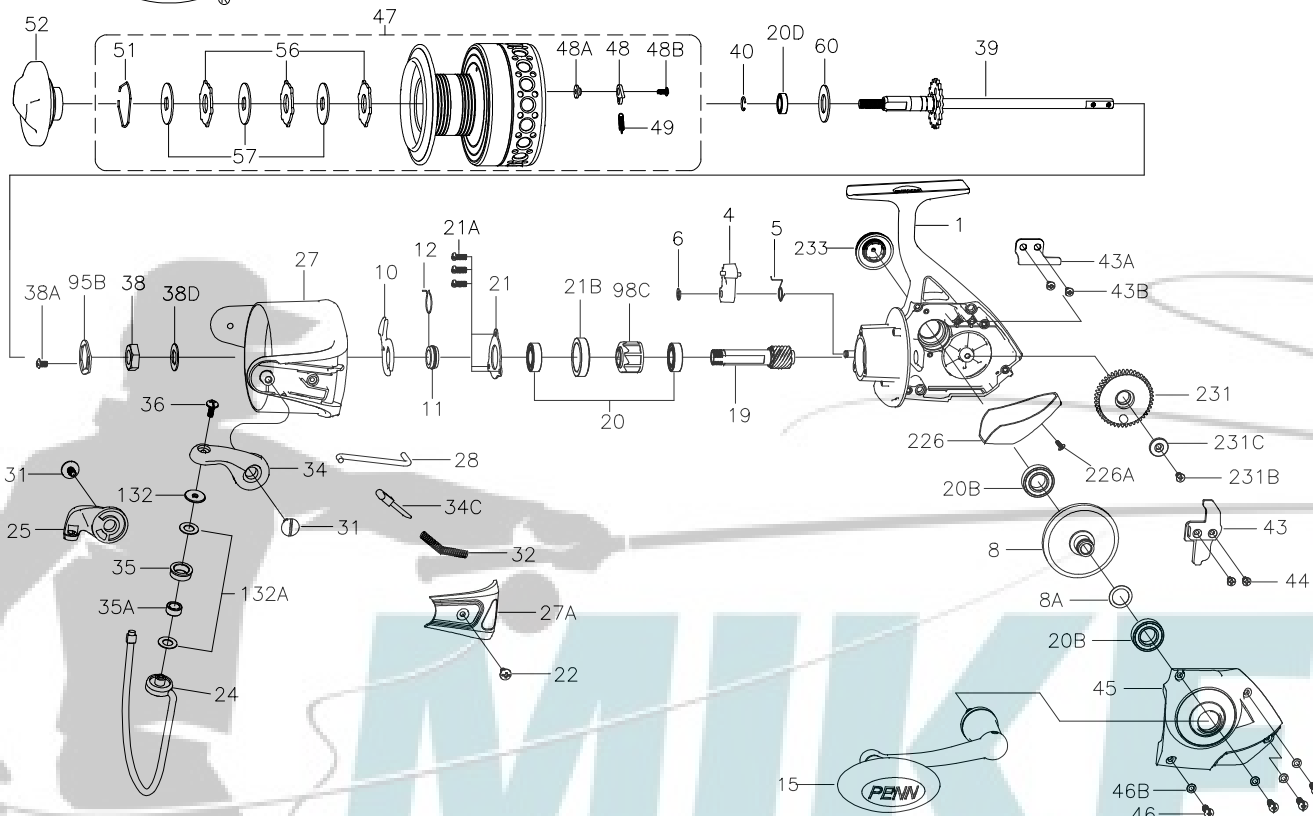




PARTS LIST FOR MODEL BTLII8000



| KEY NO. | PART NO. | DESCRIPTION |
|---------|----------|--|
| 21A | 1192645 | 21A-5000SG Bearing Retainer Screw (3 req) |
| 21B | 1324209 | 21B-BTLII5000 Collar |
| 22 | 1192662 | 22-7000SG Bail Pivot Cover Screw |
| 24 | 1313869 | 24-CFT8000 Bail Wire |
| 25 | 1313870 | 25-CFT8000 Bail Holder |
| 27 | 1324221 | 27-BTLII8000 Rotor |
| 27A | 1313872 | 27A-CFT8000 Bail Pivot Cover |
| 28 | 1313873 | 28-CFT8000 Trip Lever |
| 31 | 1308100 | 31-CFT5000 Bail Arm Screw (2 req) |
| 32 | 1313874 | 32-CFT8000 Bail Spring |
| 34 | 1313875 | 34-CFT8000 Bail Arm |
| 34C | 1191656 | 34C-7000SG Pivot Arm |
| 35 | 1324222 | 35-BTLII8000 Line Roller |
| 35A | 1313877 | 35A-CFT8000 Line Roller Bushing |
| 36 | 1191704 | 36-7000SG Bail Stud Screw |
| 38 | 1191731 | 38-7000SG Rotor Nut |
| 38A | 1191736 | 38A-5000SG Screw |
| 38D | 1308104 | 38D-CFT5000 Rotor Nut Washer |
| 39 | 1313878 | 39-CFT8000 Main Shaft Assembly |
| 40 | 1211620 | 40-5000BTL Bearing Lock Spring |
| 43 | 1313879 | 43-CFT8000 Crosswind Block |
| 43A | 1191821 | 43A-7000SG Crosswind Block Plate |
| 43B | 1191826 | 43B-3000SG Crosswind Block Plate Screw (2 req) |
| 44 | 1191845 | 44-5000SG Crosswind Block Screw (2 req) |
| 45 | 1324223 | 45-BTLII8000 Housing Cover Assembly |
| 46 | 1191903 | 46-5000SG Housing Cover Screw (4 req) |
| 46B | 1191908 | 46B-5000SG Housing Cover Washer (4 req) |
| 47 | 1324224 | 47-BTLII8000 Spool Assembly |
| 48 | 1211625 | 48-5000SG Click Tongue |
| 48A | 1211626 | 48A-5000SG Click Tongue Washer |
| 48B | 1211612 | 48B-5000SG Spool Click Screw |
| 49 | 1211627 | 49-5000SG Click Tongue Spring |
| 51 | 1308112 | 51-CFT5000 Drag Retaining Ring |
| 52 | 1324225 | 52-BTLII8000 Drag Knob Assembly |
| 56 | 1313883 | 56-CFT8000 Drag Washer (3 req) |
| 57 | 1211646 | 57-7000BTL Keyed Washer (3 req) |
| 60 | 1211629 | 60-5000BTL Thrust Washer |
| 95B | 1308115 | 95B-CFT5000 Rotor Locking Plate |
| 98C | 1313884 | 98C-CFT8000 Clutch/Sleeve Assembly |
| 132 | 1192298 | 132-7000SG Roller Washer |
| 132A | 1192302 | 132A-3000SG Line Roller Washer (2 req) |
| 226 | 1313885 | 226-CFT8000 Rear Cover |
| 226A | 1192473 | 226A-3000SG Rear Cover Screw |
| 231 | 1313886 | 231-CFT8000 Crosswind Gear |
| 231B | 1313887 | 231B-CFT8000 Screw Crosswind Gear |
| 231C | 1313888 | 231C-CFT8000 Screw Crosswind Sleeve |
| 233 | 1211631 | 233-5000BTL Bearing Cover Assembly |

| KEY NO. | PART NO. | DESCRIPTION |
|---------|----------|---------------------------------|
| 1 | 1324219 | 1-BTLII8000 Housing Assembly |
| 4 | 1190939 | 4-7000SG A/R Dog |
| 5 | 1190966 | 5-5000SG Dog Spring |
| 6 | 1190979 | 6-5000SG Retaining Clip |
| 8 | 1313863 | 8-CFT8000 Main Gear |
| 8A | 1191031 | 8A-7000SG Shim |
| 10 | 1313864 | 10-CFT8000 A/R Holder |
| 11 | 1191087 | 11-7000SG Bushing |
| 12 | 1313865 | 12-CFT8000 A/R Bushing Spring |
| 15 | 1324220 | 15-BTLII8000 Handle Assembly |
| 19 | 1313868 | 19-CFT8000 Pinion Gear |
| 20 | 1308090 | 20-CFT5000 Ball Bearing (2 req) |
| 20B | 1192621 | 20B-7000SG Ball Bearing (2 req) |
| 20D | 1211610 | 20D-5000BTL Spool Ball Bearing |
| 21 | 1192636 | 21-5000SG Bearing Retainer |

407-BTLII8000 Rev. 0 11-8-13

1338222