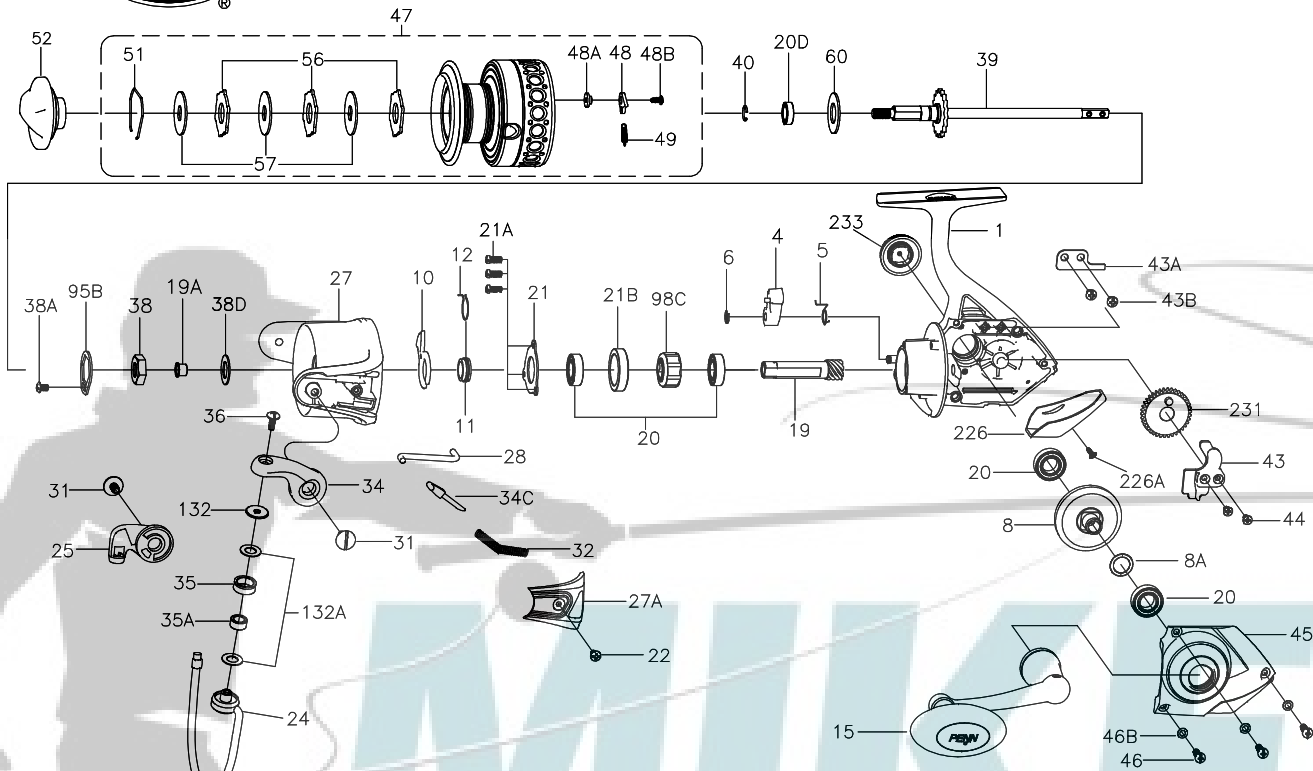




# PARTS LIST FOR MODEL BTLII5000



KEY NO.	PART NO.	DESCRIPTION
21A	1192645	21A-5000SG Bearing Retainer Screw (3 req)
21B	1324209	21B-BTLII5000 Collar
22	1192661	22-5000SG Bail Pivot Cover Screw
24	1308091	24-CFT5000 Bail Wire Assembly
25	1308093	25-CFT5000 Bail Holder
27	1324210	27-BTLII5000 Rotor
27A	1308096	27A-CFT5000 Bail Pivot Cover
28	1308098	28-CFT5000 Trip Lever
31	1308100	31-CFT5000 Bail Arm Screw (2 req)
32	1308101	32-CFT5000 Bail Spring
34	1308102	34-CFT5000 Bail Arm
34C	1191652	34C-5000SG Pivot Arm
35	1324170	35-BTLII4000 Line Roller
35A	1308067	35A-CFT3000 Line Roller Bushing
36	1191699	36-3000SG Bail Stud Screw
38	1191729	38-5000SG Rotor Nut
38A	1191736	38A-5000SG Screw
38D	1308104	38D-CFT5000 Rotor Nut Washer
39	1308105	39-CFT5000 Main Shaft Assembly
40	1211620	40-5000BTL Bearing Lock Spring
43	1308107	43-CFT5000 Crosswind Block
43A	1191820	43A-5000SG Crosswind Block Plate
43B	1191827	43B-5000SG Crosswind Block Plate Screw (2 req)
44	1191845	44-5000SG Crosswind Block Screw (2 req)
45	1324211	45-BTLII5000 Housing Cover Assembly
46	1191903	46-5000SG Housing Cover Screw (3 req)
46B	1191908	46B-5000SG Housing Cover Washer (3 req)
47	1324212	47-BTLII5000 Spool Assembly
48	1211625	48-5000SG Click Tongue
48A	1211626	48A-5000SG Click Tongue Washer
48B	1211612	48B-5000SG Spool Click Screw
49	1211627	49-5000SG Click Tongue Spring
51	1308112	51-CFT5000 Drag Retaining Ring
52	1324213	52-BTLII5000 Drag Knob Assembly
56	1308114	56-CFT5000 Drag Washer (3 req)
57	1192044	57-5000SG Keyed Washer (3 req)
60	1211629	60-5000BTL Thrust Washer
95B	1308115	95B-CFT5000 Rotor Locking Plate
98C	1308116	98C-CFT5000 Clutch/Sleeve Assembly
132	1192297	132-5000SG Roller Washer
132A	1192302	132A-3000SG Line Roller Washer (2 req)
226	1308117	226-CFT5000 Rear Cover
226A	1192473	226A-3000SG Rear Cover Screw
231	1192503	231-5000SG Crosswind Gear
233	1211631	233-5000BTL Bearing Cover Assembly

KEY NO.	PART NO.	DESCRIPTION
1	1324207	1-BTLII5000 Housing Assembly
4	1190937	4-5000SG Dog
5	1190966	5-5000SG Dog Spring
6	1190979	6-5000SG Retaining Clip
8	1191019	8-5000SG Main Gear
8A	1191030	8A-5000SG Shim
10	1191066	10-5000SG A/R Holder
11	1191085	11-5000SG Bushing
12	1313865	12-CFT8000 A/R Bushing Spring
15	1324208	15-BTLII5000 Handle Assembly
19	1364030	19-BTLII5000 Pinion Gear
19A	1191253	19A-5000SG Pinion Bushing
20	1308090	20-CFT5000 Ball Bearing (4 req)
20D	1211610	20D-5000BTL Spool Ball Bearing
21	1192636	21-5000SG Bearing Retainer

407-BTLII5000 Rev.1 11-7-14

1338220