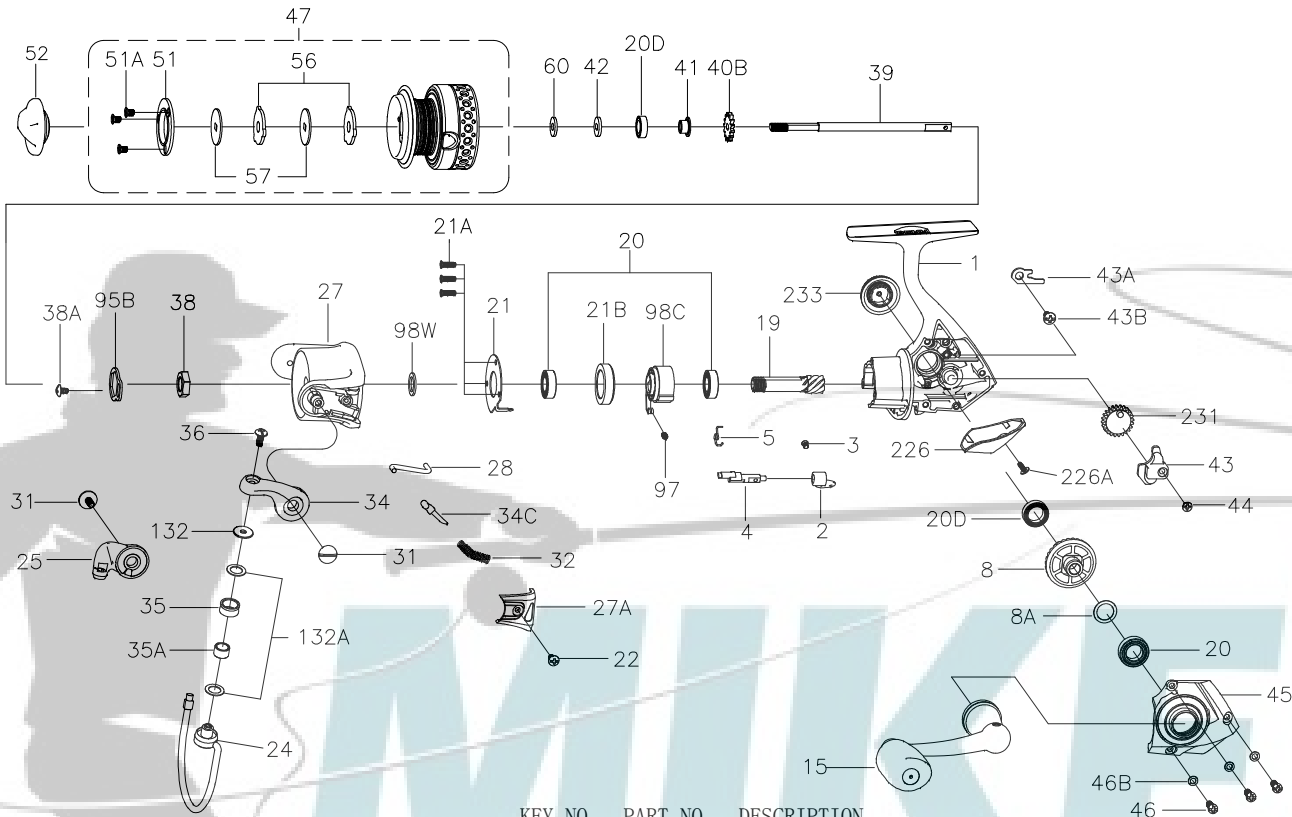




PARTS LIST FOR MODEL BTLII1000



KEY NO.	PART NO.	DESCRIPTION
21B	1313845	21B-CFT1000 Collar
22	1192658	22-2000SG Bail Pivot Cover Screw
24	1313846	24-CFT1000 Bail Wire
25	1313847	25-CFT1000 Bail Holder
27	1324202	27-BTLII1000 Rotor
27A	1313849	27A-CFT1000 Bail Pivot Cover
28	1313850	28-CFT1000 Trip Lever
31	1324187	31-BTLII2000 Bail Arm Screw (2 req)
32	1191583	32-2000SG Bail Spring
34	1313851	34-CFT1000 Bail Arm
34C	1313816	34C-CFT2500 Pivot Arm
35	1324203	35-BTLII1000 Line Roller
35A	1313818	35A-CFT2500 Line Roller Bushing
36	1251748	36-1000FRC Bail Stud Screw
38	1313853	38-CFT1000 Rotor Nut
38A	1324171	38A-BTLII4000 Rotor Locking Plate Screw
39	1313854	39-CFT1000 Main Shaft
40B	1191778	40B-2000SG Click Ratchet
41	1211573	41-2000BTL Spool Bushing
42	1249042	42-1000BTL Spool Shaft Washer
43	1207729	43-1000SG Crosswind Block
43A	1207730	43A-1000SG Crosswind Block Plate
43B	1191826	43B-3000SG Crosswind Block Plate Screw
44	1191843	44-3000SG Crosswind Block Screw
45	1324204	45-BTLII1000 Housing Cover Assembly
46	1251750	46-1000FRC Housing Cover Screw (3 req)
46B	1191907	46B-3000SG Housing Cover Washer (3 req)
47	1324205	47-BTLII1000 Spool Assembly
51	1211578	51-2000BTL Retaining Spacer
51A	1191986	51A-3000SG Retaining Screw (3 req)
52	1324206	52-BTLII1000 Drag Knob Assembly
56	1313858	56-CFT1000 Drag Washer (2 req)
57	1251753	57-1000FRC Keyed Washer (2 req)
60	1211581	60-2000BTL Thrust Washer
95B	1308081	95B-CFT3000 Rotor Locking Plate
97	1192189	97-2000SG Clutch Spring
98C	1207734	98C-1000SG Clutch/Sleeve Assembly
98W	1251754	98W-1000FRC Clutch Washer
132	1313860	132-CFT1000 Roller Washer
132A	1192301	132A-2000SG Line Roller Washer (2 req)
226	1313861	226-CFT1000 Rear Cover
226A	1192473	226A-3000SG Rear Cover Screw
231	1207737	231-1000SG Crosswind Gear
233	1211608	233-3000BTL Bearing Cover Assembly

KEY NO.	PART NO.	DESCRIPTION
1	1324200	1-BTLII1000 Housing Assembly
2	1190889	2-2000SG A/R Lever
3	1190922	3-2000SG A/R Lever Screw
4	1313805	4-CFT2500 A/R Shaft
5	1313839	5-CFT1000 A/R Spring
8	1313840	8-CFT1000 Main Gear
8A	1191028	8A-3000SG Shim
15	1324201	15-BTLII1000 Handle Assembly
19	1313842	19-CFT1000 Pinion Gear
20	1313843	20-CFT1000 Ball Bearing (2 req)
20	1308050	20-CFT3000 Housing Cover Ball Bearing
20D	1211610	20D-5000BTL Housing Ball Bearing
20D	1211567	20D-2000BTL Spool Ball Bearing
21	1313844	21-CFT1000 Bearing Retainer
21A	1207723	21A-1000SG Bearing Retainer Screw (3 req)

407-BTLII1000 Rev. 0 11-8-13

1338215