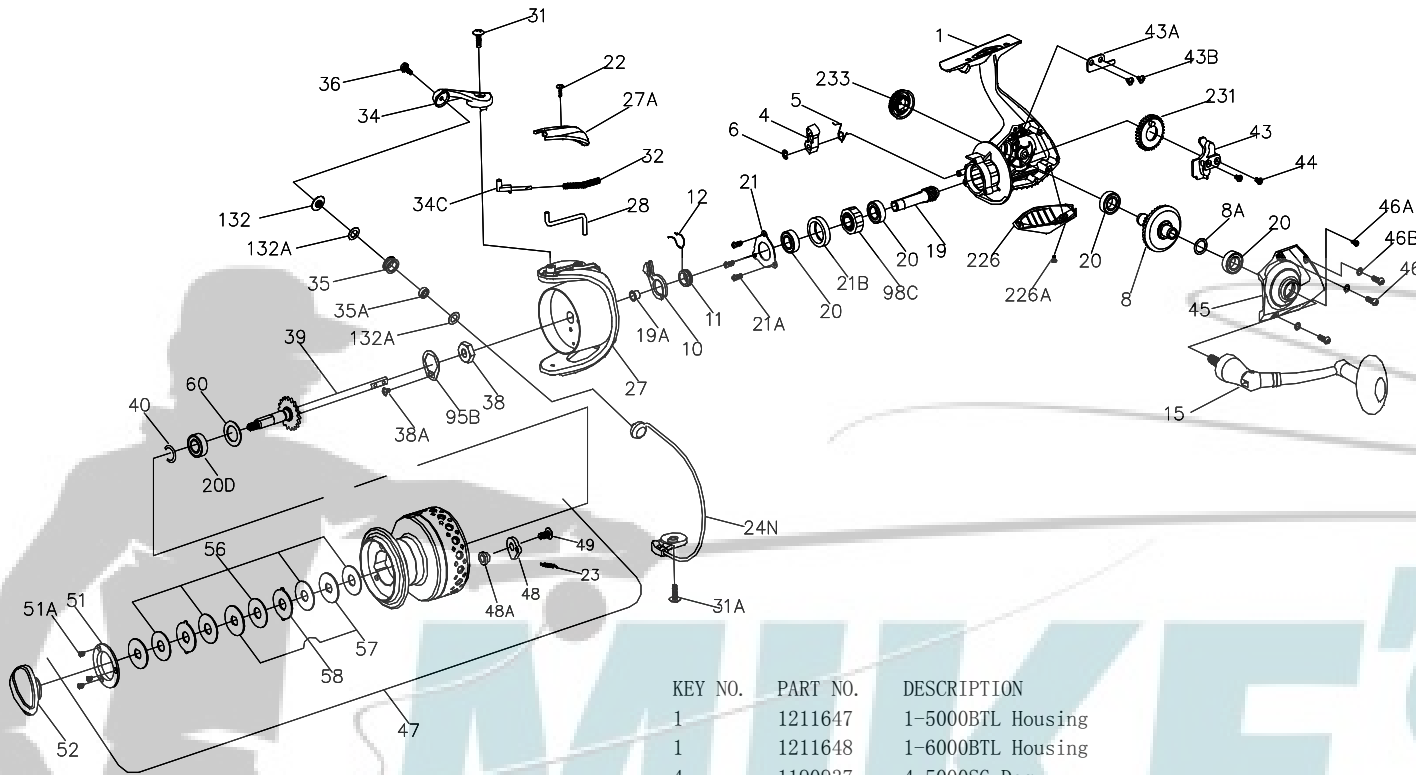




PARTS LIST FOR MODELS BTL5000/BTL6000  
REEL PART NO.1206108/1206109



KEY NO.	PARTNO.	DESCRIPTION
27A	1191451	27A-5000SG Bail Pivot Cover
27A	1200071	27A-6000SG Bail Pivot Cover
28	1191486	28-5000SG Trip Lever
28	1191489	28-6000SG Trip Lever
31	1191569	31-5000SG Bail Arm Screw
31A	1191575	31A-5000SG Bail Cam Screw
32	1211617	32-5000BTL Bail Spring
32	1200520	32-6000SG Bail Spring
34	1191631	34-5000SG Bail Arm
34	1200521	34-6000SG Bail Arm
34C	1191652	34C-5000SG Pivot Arm
35	1242221	35-5000BTL Line Roller
35A	1242222	35A-5000BTL Line Roller Bearing
36	1191703	36-5000SG Bail Stud Screw (BTL5000)
36	1203993	36-3000PUR Bail Stud Screw (BTL6000)
38	1191729	38-5000SG Rotor Nut
38A	1191736	38A-5000SG Rotor Locking Plate Screw
39	1211618	39-5000BTL Spool Shaft Assembly
39	1211619	39-6000BTL Spool Shaft Assembly
40	1211620	40-5000BTL Bearing Lock Spring
43	1191805	43-5000SG Crosswind Block
43A	1191820	43A-5000SG Crosswind Block Plate
43B	1191827	43B-5000SG Crosswind Block Plate Screw (2 req)
44	1191845	44-5000SG Crosswind Block Screw (2 req)
45	1211621	45-5000BTL Housing Cover
46	1191903	46-5000SG Housing Cover Screw (3 req)
46A	1191906	46A-3000SG Housing Cover Screw A
46B	1191908	46B-5000SG Housing Cover Washer (3 req)
47	1211623	47-5000BTL Spool Assembly
47	1211624	47-6000BTL Spool Assembly
48	1211625	48-5000SG Click Tongue
48A	1211626	48A-5000SG Click Tongue Washer
48B	1211612	48B-5000SG Spool Click Screw
49	1211627	49-5000SG Click Tongue Spring
51	1204057	51-5000PUR Retaining Spacer
51A	1191986	51A-3000SG Retaining Screw (3 req)
52	1211628	52-5000BTL Drag Knob Assembly
56	1211630	56-5000BTL Drag Washer (5 req)
57	1192044	57-5000SG Keyed Washer (3 req)
58	1192053	58-5000SG Earred Washer (2 req)
60	1211629	60-5000BTL Thrust Washer
95B	1192186	95B-5000SG Rotor Locking Plate
98C	1192215	98C-5000SG Clutch/Sleeve Assembly
132	1192297	132-5000SG Roller Washer
132A	1192302	132A-3000SG Line Roller Washer (2 req)
226	1192460	226-5000SG Rear Cover
226A	1192473	226A-3000SG Rear Cover Screw
231	1192503	231-5000SG Crosswind Gear
231	1200523	231-6000SG Crosswind Gear
233	1211631	233-5000BTL Bearing Cover Assembly

KEY NO.	PART NO.	DESCRIPTION
1	1211647	1-5000BTL Housing
1	1211648	1-6000BTL Housing
4	1190937	4-5000SG Dog
5	1190966	5-5000SG Dog Spring
6	1190979	6-5000SG Retaining Clip
8	1191019	8-5000SG Main Gear
8A	1204063	8A-7000PUR Shim
10	1191066	10-5000SG A/R Holder
11	1191085	11-5000SG Bushing
12	1191090	12-5000SG A/R Bushing Spring
15	1211609	15-5000BTL Handle Assembly
19	1191240	19-5000SG Pinion
19A	1191253	19A-5000SG Pinion Bushing
20	1192613	20-5000SG Ball Bearing (4 req)
20D	1211610	20D-5000BTL Spool Ball Bearing
21	1192636	21-5000SG Bearing Retainer
21A	1192645	21A-5000SG Bearing Retainer Screw (3 req)
21B	1192650	21B-5000SG Collar
22	1192661	22-5000SG Bail Pivot Cover Screw
24N	1242247	24N-5000BTL Bail Wire Assembly
24N	1242248	24N-6000BTL Bail Wire Assembly
27	1211615	27-5000BTL Rotor (w/weight & screw)
27	1211616	27-6000BTL Rotor (w/weight & screw)