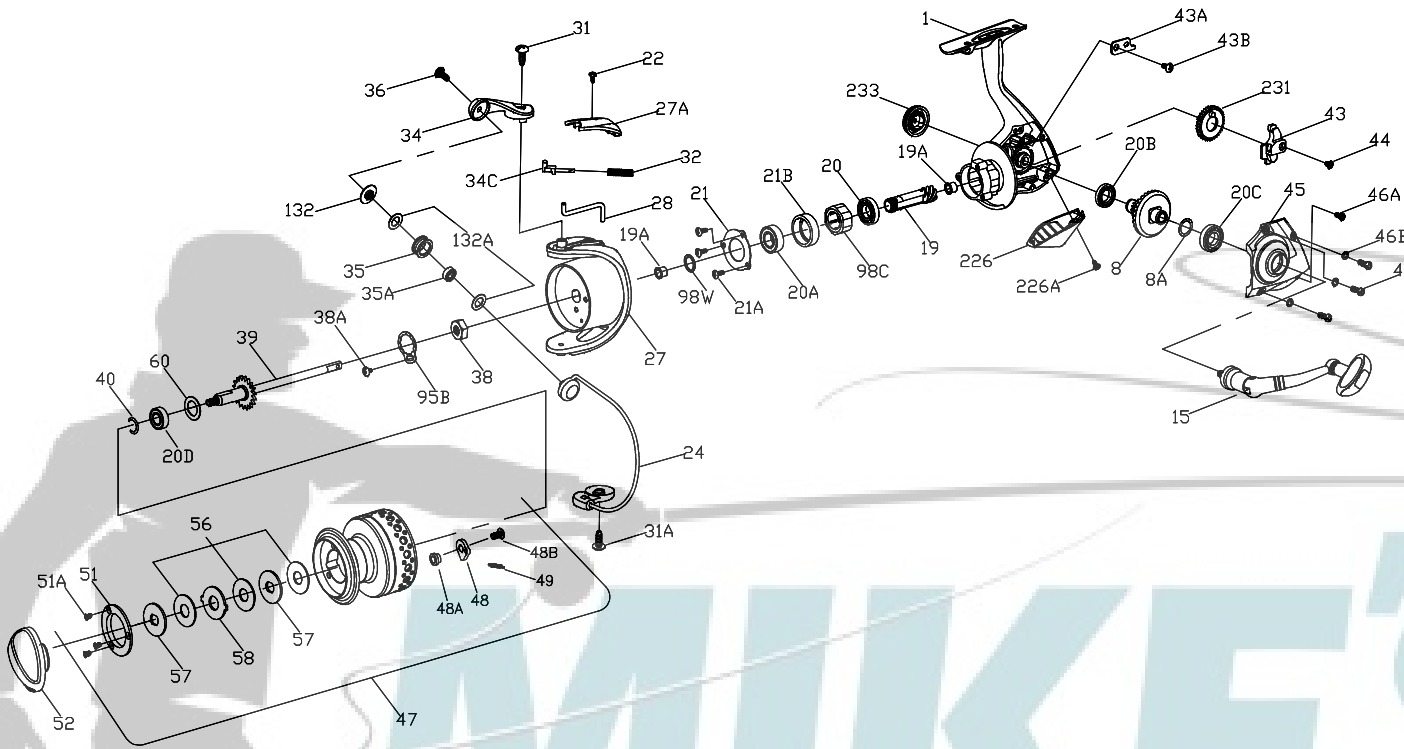




PARTS LIST FOR MODELS BTL3000/BTL4000
REEL PART NO.1206106/1206107



| KEY NO. | PART NO. | DESCRIPTION |
|---------|----------|---|
| 27 | 1211595 | 27-4000BTL Rotor (w/weight & screw) |
| 27A | 1200519 | 27A-3000SG Bail Pivot Cover |
| 27A | 1191448 | 27A-4000SG Bail Pivot Cover |
| 28 | 1191483 | 28-3000SG Trip Lever |
| 28 | 1191484 | 28-4000SG Trip Lever |
| 31 | 1191567 | 31-3000SG Bail Arm Screw |
| 31A | 1191574 | 31A-3000SG Bail Cam Screw |
| 32 | 1191586 | 32-3000SG Bail Spring |
| 34 | 1211596 | 34-3000BTL Bail Arm |
| 34C | 1191650 | 34C-3000SG Pivot Arm |
| 35 | 1211572 | 35-3000BTL Line Roller |
| 35A | 1191682 | 35A-2000SG Line Roller Bearing |
| 36 | 1211597 | 36-3000BTL Bail Stud Screw |
| 38 | 1191728 | 38-3000SG Rotor Nut |
| 38A | 1191734 | 38A-3000SG Rotor Locking Plate Screw |
| 39 | 1211598 | 39-3000BTL Spool Shaft Assembly |
| 39 | 1211599 | 39-4000BTL Spool Shaft Assembly |
| 40 | 1211600 | 40-3000BTL Bearing Lock Spring |
| 43 | 1191800 | 43-3000SG Crosswind Block |
| 43 | 1200531 | 43-4000SG Crosswind Block |
| 43A | 1191818 | 43A-3000SG Crosswind Block Plate |
| 43B | 1191826 | 43B-3000SG Crosswind Block Plate Screw |
| 44 | 1191843 | 44-3000SG Crosswind Block Screw |
| 45 | 1211601 | 45-3000BTL Housing Cover |
| 46 | 1191901 | 46-3000SG Housing Cover Screw (3 req) |
| 46A | 1191906 | 46A-3000SG Housing Cover Screw A |
| 46B | 1191907 | 46B-3000SG Housing Cover Washer (3 req) |
| 47 | 1211602 | 47-3000BTL Spool Assembly |
| 47 | 1211603 | 47-4000BTL Spool Assembly |
| 48 | 1211604 | 48-3000SG Click Tongue |
| 48A | 1214226 | 48A-3000SG Click Tongue Washer |
| 48B | 1214189 | 48B-3000SG Spool Click Screw |
| 49 | 1211605 | 49-3000SG Click Tongue Spring |
| 51 | 1204002 | 51-3000PUR Retaining Spacer |
| 51A | 1191986 | 51A-3000SG Retaining Screw (3 req) |
| 52 | 1211606 | 52-3000BTL Drag Knob Assembly |
| 56 | 1211607 | 56-3000BTL Drag Washer (3 req) |
| 57 | 1192043 | 57-3000SG Keyed Washer (2 req) |
| 58 | 1192052 | 58-3000SG Earred Washer (1 req) |
| 60 | 1192060 | 60-3000SG Thrust Washer |
| 95B | 1192185 | 95B-3000SG Rotor Locking Plate |
| 98C | 1192212 | 98C-3000SG Clutch/Sleeve Assembly |
| 98W | 1204004 | 98W-3000PUR Clutch Washer |
| 132 | 1211582 | 132-3000BTL Roller Washer |
| 132A | 1192301 | 132A-2000SG Line Roller Washer (2 req) |
| 226 | 1192457 | 226-3000SG Rear Cover |
| 226A | 1192473 | 226A-3000SG Rear Cover Screw |
| 231 | 1192498 | 231-3000SG Crosswind Gear |
| 231 | 1200522 | 231-4000SG Crosswind Gear |
| 233 | 1211608 | 233-3000BTL Bearing Cover Assembly |

| KEY NO. | PART NO. | DESCRIPTION |
|---------|----------|---|
| 1 | 1211585 | 1-3000BTL Housing |
| 1 | 1211586 | 1-4000BTL Housing |
| 8 | 1191017 | 8-3000SG Main Gear |
| 8A | 1191028 | 8A-3000SG Shim |
| 15 | 1211587 | 15-3000BTL Handle Assembly |
| 19 | 1191231 | 19-3000SG Pinion |
| 19A | 1191252 | 19A-3000SG Pinion Bushing (2 req) |
| 20 | 1192611 | 20-3000SG Lower Pinion Ball Bearing |
| 20A | 1192617 | 20A-3000SG Upper Pinion Ball Bearing |
| 20B | 1192619 | 20B-3000SG Housing Ball Bearing |
| 20C | 1192616 | 20A-2000SG Ball Bearing |
| 20D | 1211588 | 20D-3000BTL Spool Ball Bearing |
| 21 | 1192631 | 21-3000SG Bearing Retainer |
| 21A | 1192644 | 21A-3000SG Bearing Retainer Screw (3 req) |
| 21B | 1192648 | 21B-3000SG Collar |
| 22 | 1192660 | 22-3000SG Bail Pivot Cover Screw |
| 24 | 1211592 | 24-3000BTL Bail Wire Assembly |
| 24 | 1211593 | 24-4000BTL Bail Wire Assembly |
| 27 | 1211594 | 27-3000BTL Rotor (w/weight & screw) |