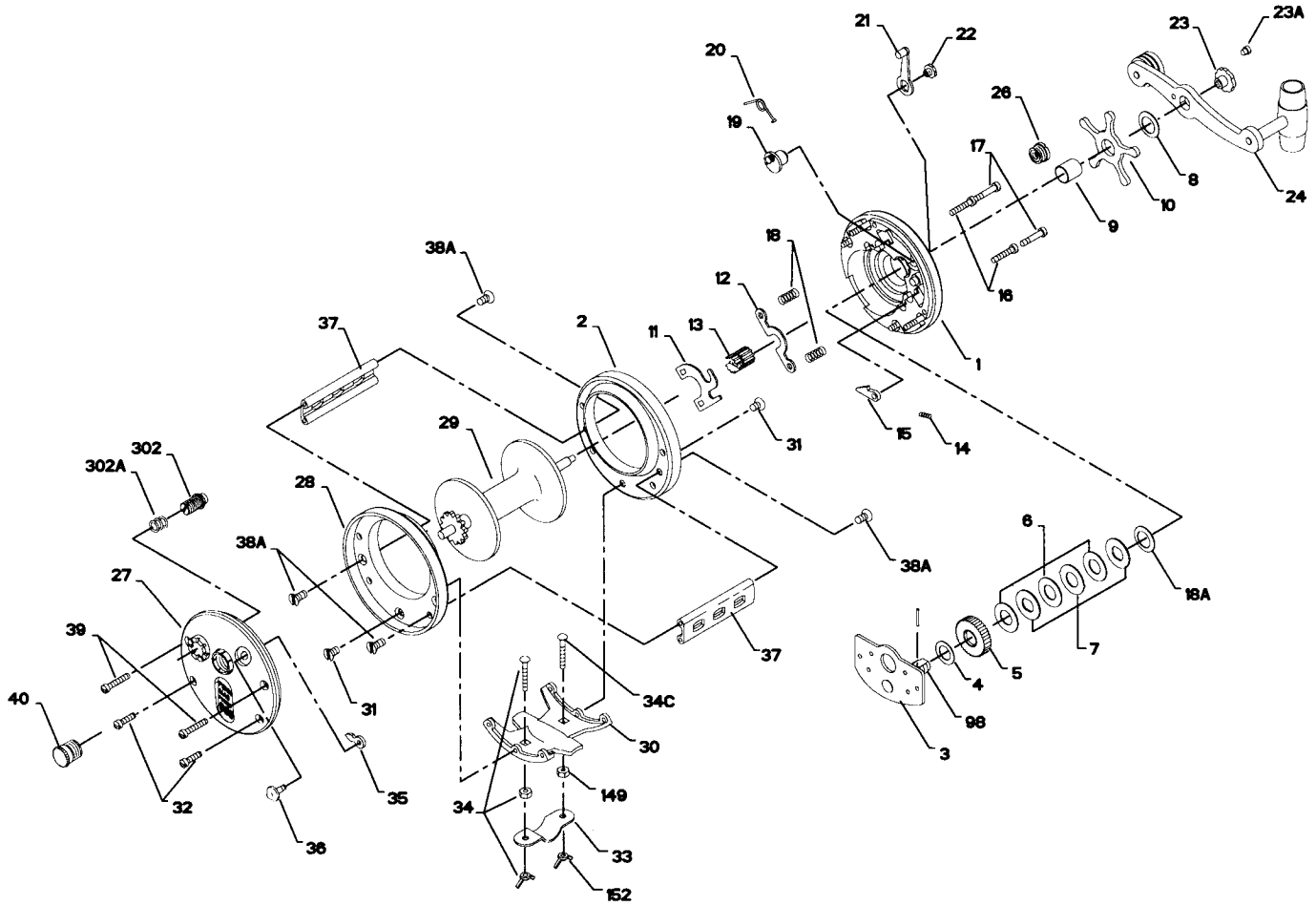




PARTS LIST FOR MODELS 970-980-990 PENN MAG POWER



KEY NO.	DESCRIPTION	PART NO.
1	Right Side Plate (970-980)	1-970
	Right Side Plate (990)	1-990
2	Right Side Ring (970-980)	2-970
	Right Side Ring (990)	2-990
3	Bridge w/Sleeve (970-980)	3-970
	Bridge w/Sleeve (990)	3-990
4	Fibre Washer	4-349
5	Main Gear (970-980)	5-970
	Main Gear (990)	5-990
6	Drag Washer (3 req.) (970-980)	6-113H
	Drag Washer (3 req.) (990)	6-990
7	Washer (Metal Set) (970-980)	7C-970
	Washer (Metal Set) (990)	7C-990
8	Tension Spring	8-349
9	Spacing Sleeve (970-980)	9N-970
	Spacing Sleeve (990)	9-990
10	Star Drag Wheel (970-980)	10-970
	Star Drag Wheel (990)	10-349
11	Eccentric Jack	11-200
12	Pinion Yoke	12-155
13	Pinion Gear w/Ring	13N-970
14	Dog Spring	14-99
15	Dog (970-980)	15-970
	Dog (990)	15-990
16	Lower Bridge Screw	16-60
17	Upper Bridge Screw	17-60
18	Clutch Spring	18-60
18A	Clutch Spring	18-970
19	Eccentric Cam	19-200
20	Eccentric Spring	20-155
21	Eccentric Lever	21-200
22	Eccentric Screw	22-99
23	Handle Screw	23-114
23A	Handle Lock Screw	110-60
24	Handle	24-970
26	Right Side Bearing (Complete)	26-970
27	Left Side Plate	27-970
	Left Side Plate	27-980
	Left Side Plate	27-990

KEY NO.	DESCRIPTION	PART NO.
28	Left Side Ring (970-980)	2-970
	Left Side Ring (990)	2-990
29L	Spool (Complete)	29L-970
	Spool (Complete)	29L-980
	Spool (Complete)	29L-990
30	Stand	30N-970
	Stand	30N-980
	Stand	30-990
31	Stand Screw (Center)	31-19
31A	R.S. Stand Screw	31-970
32	L.S. Stand Screw	39-6
33	Rod Clamp (970)	33-200
	Rod Clamp (980-990)	33-990
34	Rod Clamp Screw (970)	34-49
	Rod Clamp Screw (980-990)	34-200
35	Click Tongue (N/S)	35-155
36	Click Button (N/S)	36-209
37	Spacer Bar (Control) (970)	37C-970
	Spacer Bar (Control) (980-990)	37A-500
	Spacer Bar (Penn) (970)	37N-970
	Spacer Bar (Penn) (980-990)	37A-500
38	R.S. Upper Spacer Bar Screw	38-970
40	L.S. Bearing (Complete)	40-970
40A	L.S. Bearing Cup	40A-970
40B	L.S. Bearing Pressure Plug	40B-910
55	R.S. Bearing	55-113H
55A	L.S. Bearing	55-116
57	Pressure Plug Spring	57-109
98	Gear Sleeve (970-980)	98-320
	Gear Sleeve (990)	98-349
103	R.S. Bearing Cup	103-970
149	Rod Clamp Hex Nut	149-200
152	Rod Clamp Wing Nut	152-200
173	R.S. Bearing Retainer	173-113H
173A	L.S. Bearing Retainer	173-140
302	Magnet Housing w/Magnet	302-970
302A	Housing Spring Magnet	302A-970