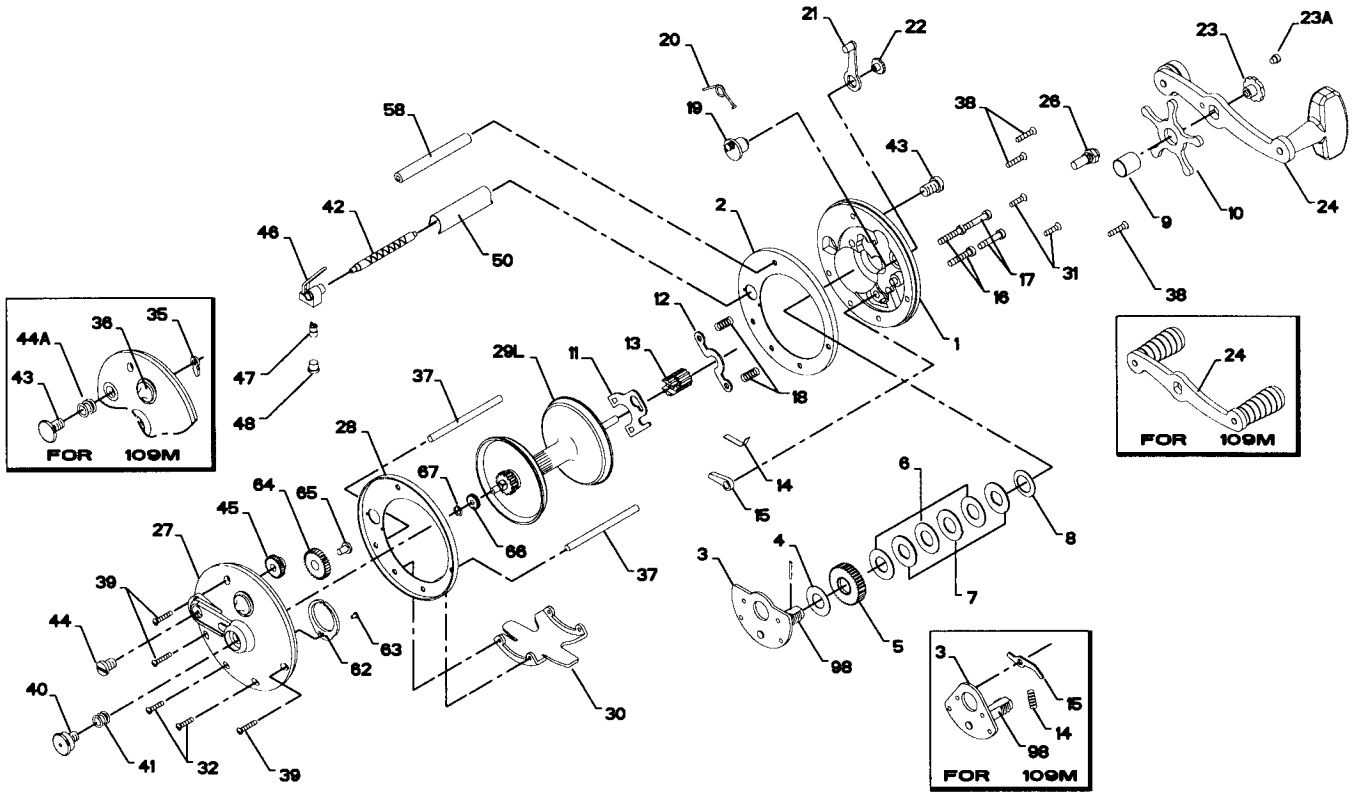




PARTS LIST FOR MODELS 9 AND 109



KEY NO.	DESCRIPTION	PART NO.	KEY NO.	DESCRIPTION	PART NO.
1	Right Side Plate	1-9	27	Left Side Plate	27-9
	Right Side Plate	1-109		Left Side Plate	27-109
2	Right Side Ring	2-109	28	Left Side Ring	28-109
3	Bridge w/Sleeve	3-9	29L	Spool (Aluminum)	29L-9
	Bridge w/Sleeve	3-109		Spool (Aluminum)	29L-109
4	Fibre Washer	4-155	30	Stand	30N-9
5	Main Gear	5-109	31	R.S. Stand Screw (2 req.)	32-2
6	Drag Washer-HT100	6-155	32	L.S. Stand Screw (2 req.)	32-2
7	Washer (Metal Set)	7C-155	35	Click Tongue	35-155
8	Tension Spring	8-60	36	Click Button (9)	36-60
9	Spacing Sleeve	9-60		Click Button (109)	36-109
10	Star Drag	10-180	37	Frame Post (2 req.)	37-109
11	Eccentric Jack (9)	11-9	38	R.S. Post Screw (3 req.)	39-1
12	Pinion Yoke (9)	12-9	39	L.S. Post Screw (3 req.)	39-1
13	Pinion Gear	13-9	40	L.S. Bearing	40-109
	Pinion Gear	13-109	41	L.S. Bearing Spring	41-109
14	Dog Spring	14-9	42	Worm	42-109
	Dog Spring	14-109	43	R.S. Worm Bearing	43-9
15	Dog	15-9		R.S. Worm Bearing	43-109
	Dog	15-109	44	L.S. Worm Bearing (9)	43-109
				L.S. Worm Bearing (109)	44N-109
16	Lower Bridge Screw (2 req.)	16-9	44A	Worm Bearing Spring (109)	57-109
	Lower Bridge Screw (2 req.) (109)	16-60	45	Worm Gear (9)	45-9
17	Upper Bridge Screw (2 req.) (9 only)	17-9		Worm Gear (109)	45-109
18	Clutch Spring (9)	18-9	46	Line Guide	46-9
19	Eccentric	19-9		Line Guide	46-109
	Eccentric	19-109	47	Pawl	47-109
20	Eccentric Spring	20-109	48	Pawl Cover	48-109
21	Eccentric Lever	21-109	50	Worm Shield	50-109
22	Eccentric Screw	22-109	58	Slotted Post	58-109
23	Handle Screw (9)	23-60	62	Click Spring (9)	62M-209
	Handle Screw (109)	23-180	63	Click Spring Screw (9)	31-2.5FR
23A	Handle Lock Screw (9)	110-60	64	Idler Gear (9)	64-9
24	Handle (9)	24-160	65	Idler Gear Screw (9)	65-209
	Handle	24-109	66	Level Wind Drive Gear (9)	66-9
		26-9	67	Drive Gear Lock Spring (9)	67-9
26	Right Side Bearing	26-109	98	Gear Sleeve	98-155