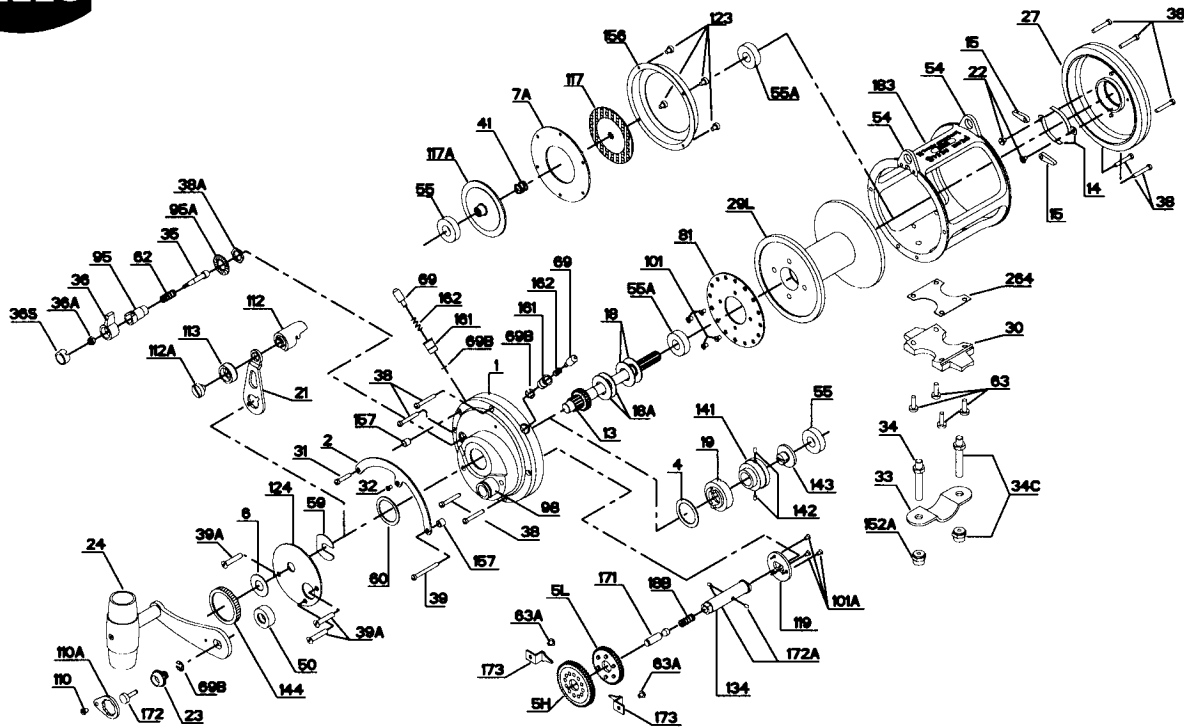




PARTS LIST FOR MODELS 50S AND 50SW



KEY NO.	DESCRIPTION	PART NO.	KEY NO.	DESCRIPTION	PART NO.
1	Right-Side Plate Assembly	1-50SN	55A	Ball Bearing (2 req.)	55-80
2	Quadrant	2-50	59	Slotted Washer	59-50
4	Cam Thrust Washer	4-50	60	Backing Washer	60-50
5H	Main Gear High-Speed	5-50HS	62	Click Spring	62-50
5L	Main Gear Low-Speed	5-50LS	63	Stand Screw (4 req.)	63-30T
6	Spacer Washer	6-155	63A	Gear Retainer Screw (2 req.)	63-349
7A	Floating Drag Washer	7A-50S	69	Locating Pin	69-50
13	Pinion Gear	13-50S	69B	Retaining Ring (2 req.)	69B-50
	Pinion Gear	13-50SW	81	Ratchet	81-50
14	Dog Spring (2 req.)	14-50	95	Click Tongue Bushing	95-80
15	Dog (2 req.)	15-50	95A	Click Bushing Washer	95A-20
18	Disc Clutch Spring (2 req.)	18-50W	98	Bridge Bushing	98-50SN
18A	Disc Clutch Spring (2 req.)	18-50TW	101	Ratchet Plate Screw (4 req.)	101-30
18B	Gear Stud Spring	18-349	101A	Coupling Plate Screw (3 req.)	101-50S
19	Eccentric Cam	19-50W	110	Handle Lock Screw	110-50
21	Eccentric Lever	21-50S	110A	Locking Plate	110A-50
22	Dog Spring Screw	22-109	112	Eccentric Lever Knob	112-50
23	Handle Screw	23-50S	112A	Eccentric Screw	112A-50
24	Handle Complete	24-50T	113	Eccentric Lever Cap	113-50
27	L.S. Plate Assembly	27-50T	117	Outer Drive Plate Assembly	117-50S
29L	Spool	29L-50S	117A	Inner Drive Plate Assembly	117A-50S
	Spool	29L-50SW	119	Coupling Plate	119-30S
30	Stand	30-50T	123	Drag Cover Screw (4 req.)	123-50
31	Short Quadrant Screw	31-20	124	Bridge Cover	124-50
32	Center Quadrant Screw	32-14	134	Gear Stud	134-50S
33	Rod Clamp	33-114	141	Cam Follower	141-50
	Ringed Rod Clamp (Optional)	*33R-114	142	Cam Follower Pin (2 req.)	142-50
34	Clamp Screw (2 req.)	34-50T	143	Adjusting Screw	143-50
34C	Rod Clamp Screw w/Nut	34C-50T	144	Preset Knob	144-50
35	Click Tongue	35-80	152A	Rod Clamp Acorn Nut (2 req.)	152A-50T
36	Click Button	36-50	156	Drag Cover	156-50
36A	Click Button Nut	36-700	157	Quadrant Spacer Bushing (2 req.)	157-50
36S	Click Button Cap	36S-80ST	161	Locating Pin Bushing (2 req.)	161-50
38	Frame Screw (9 req.)	38-50	162	Locating Pin Spring (2 req.)	162-50
38A	Click Bushing Nut	38-710	171	Plunger	171-50S
39	Long Quadrant Screw	39-50	172	Plunger Cap	172-50S
39A	Bridge Cover Screw (3 req.)	39A-80S	172A	Plunger Pin (2 req.)	172A-50S
41	L.S. Bearing Spring	41-50S	173	Gear Retainer (2 req.)	173-50S
50	Gear Stud Cover	50-25	183	Tube Frame	183-50S
54	Harness Lug (2 req.)	54-50T		Tube Frame	183-50SW
55	Ball Bearing (2 req.)	55-50		Stand Gasket	264-30T
NOTE:	Bridge Use for OLD STYLE R.S. Plate	3-50S			

Not Shown