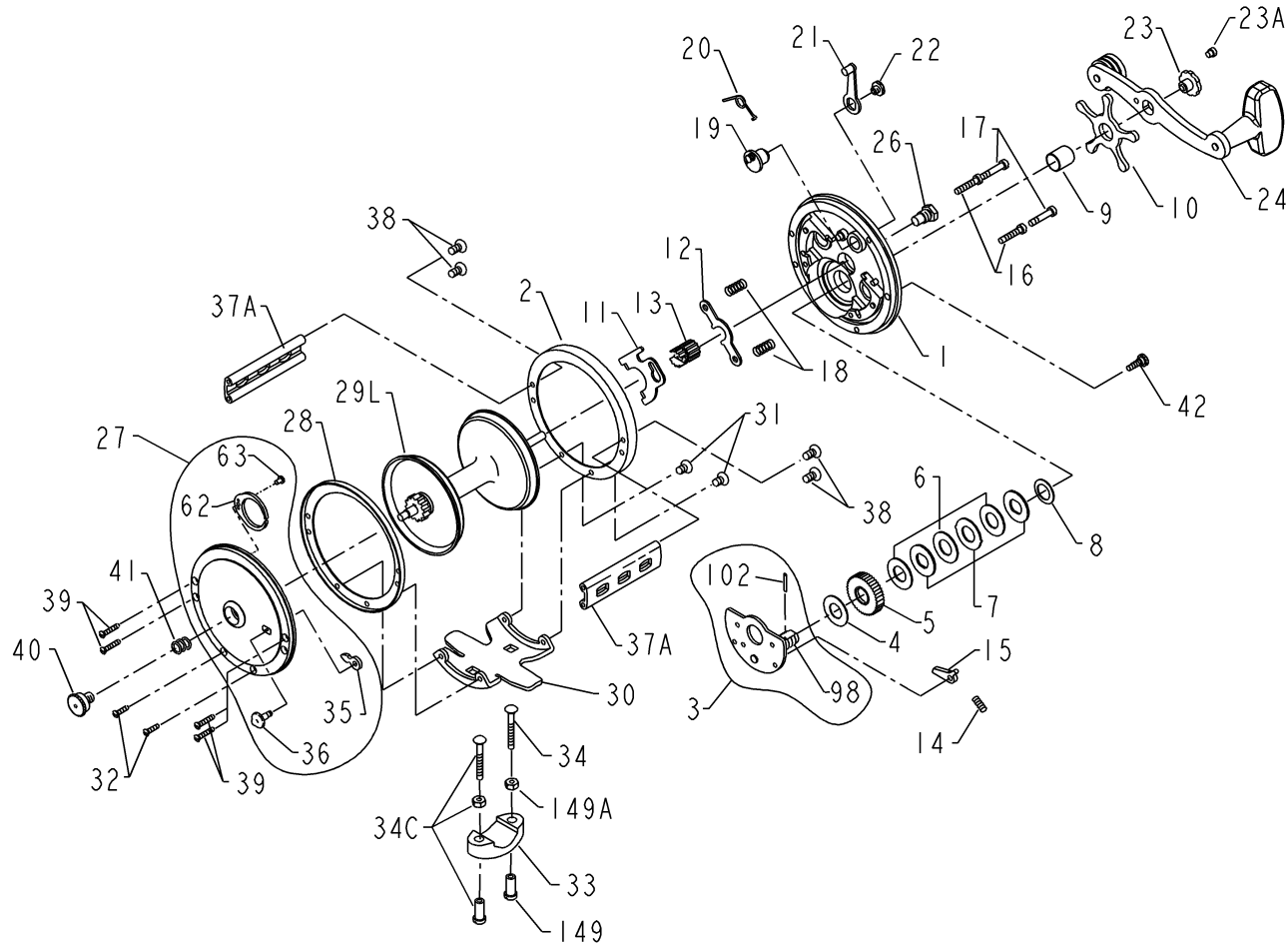




**PARTS LIST FOR MODEL 500L**



<u>KEY NO.</u>	<u>PART NO.</u>	<u>DESCRIPTION</u>
1	001 500	Right Side Plate
2	002 250	Right Side Ring
3	003 500S	Bridge Assembly
4	004 060	Fiber Washer
5	005 500	Main Gear

<u>KEY NO.</u>	<u>PART NO.</u>	<u>DESCRIPTION</u>
6	006 309	Drag Washer (3 req.)
7	007C500	Metal Washer Set
8	008 060	Tension Spring
9	009 060	Spacing Sleeve
10	010 505	Star Drag Wheel
11	011 099	Eccentric Jack
12	012 500	Pinion Yoke
13	013 500	Pinion
14	014 500	Dog Spring
15	015 500	Dog
16	016 060CH	Lower Bridge Screw
17	017 060CH	Upper Bridge Screw
18	018 060	Clutch Spring
19	019 250	Eccentric
20	020 060L	Eccentric Spring
21	021 066	Eccentric Lever
22	022 099	Eccentric Screw
23	023 060	Handle Screw
23A	110 060	Handle Lock Screw
24	024 066	Handle
26	026 155	Right Side Bearing
27	027 500	Left Side Plate Assembly
28	028 250	L.S. Ring (Inner)
29L	029L500	Spool Assembly
30	030 200	Stand
31	031 019	Right Side Stand Screw (2 req.)
32	032 016CH	Left Side Stand Screw (2 req.)
33	033 113	Rod Clamp
*	*033R200	*Ringed Rod Clamp (Optional)
34	034 045	Clamp Screw
34C	034C045	Rod Clamp Screw w/Nuts
35	035 060	Click Tongue
36	036 060CH	Click Button
37A	037A500S	Spacer Bar
38	038 007	R.S. Spacer Screw (4 req.)
39	039 005	L.S. Spacer Screw (4 req.)
40	040 060	Left Side Bearing
41	041 060	Bearing Spring
42	129 200	Take Apart Thumb Screw
62	062 500	Spring, Click
63	063 209	#3 Pan Hd Screw
98	098 505	Gear Sleeve
102	102 060	Gear Sleeve Pin
149	149 045	Clamp Nut (2 req.)
149A	149 200	Hex Nut (2 req.)