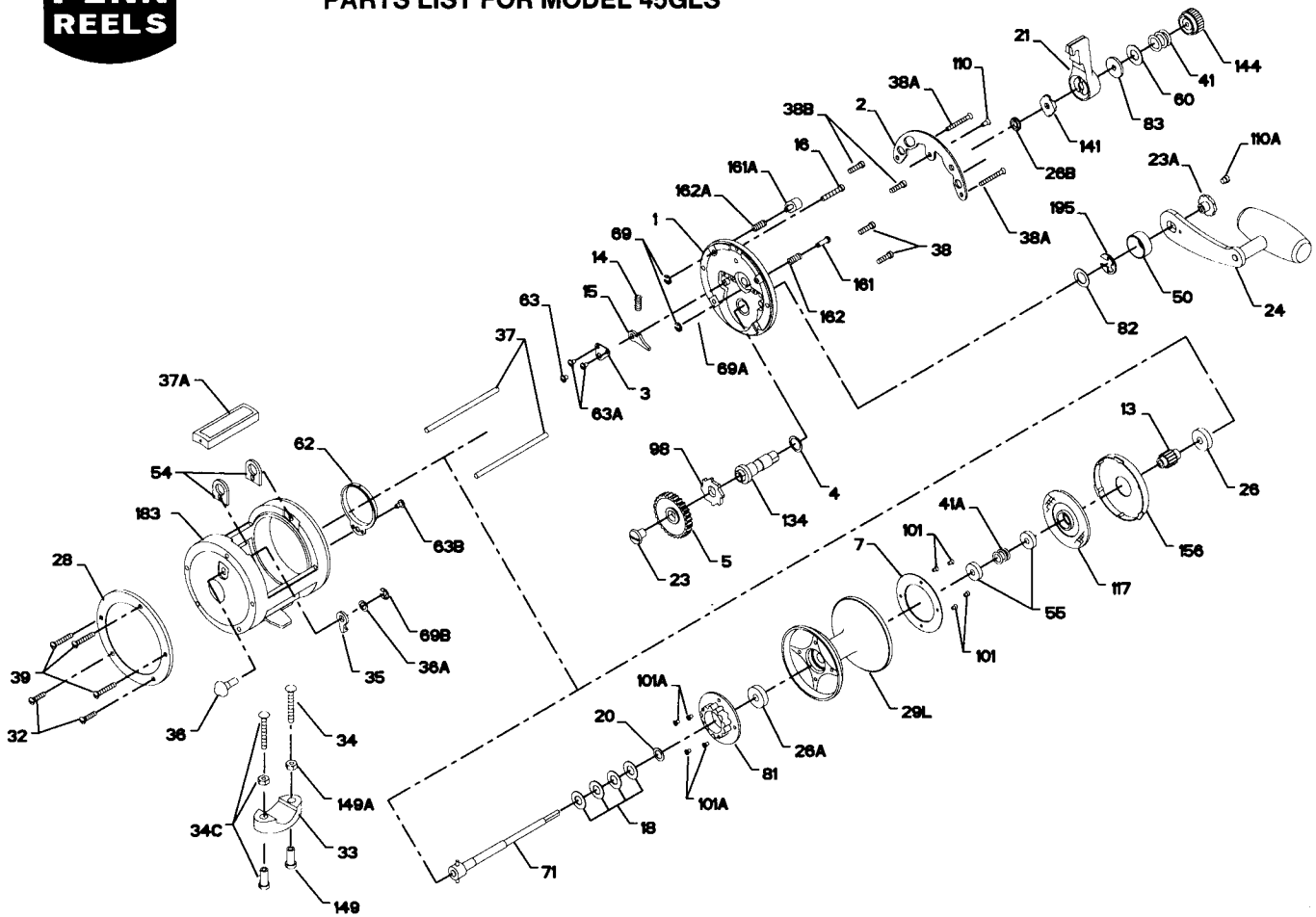




PARTS LIST FOR MODEL 45GLS



KEY NO.	DESCRIPTION	PART NO.	DESCRIPTION	PART NO.
1	Right Side Plate Assembly	1-45	Bearing Spring	41A-45
2	Quadrant Ring	2-40	Gear Stud Cover	50-40
3	Dog Bridge	3-40	Harness Lug (2 req.)	54-113
4	Gear Stud Washer	4-40	R.S. Spool Ball Bearing (2 req.)	55-6
5	Main Gear	5-45	Lever Backing Washer	60-40
7	Metal Drag Washer	7-40	Click Spring	62-40
13	Pinion Gear	13N-45	Lower Dog Bridge Screw	63-349
14	Dog Spring	14-40	Upper Dog Bridge Screw (2 req.)	63-500S
15	Dog	15-40	Click Spring Screw	63-500S
16	Top R.S. Plate Screw	16-9	Retaining Ring (2 req.)	69B-50
18	Clutch Disc Spring (4 req.)	18-40	Click Button Retaining Ring	69B-600
20	Thrust Washer	20-40	Spool Spindle Assembly	71-40
21	Drag Lever Assembly	21-40	Click Ratchet	81-40
23	Gear Mounting Screw	23-6	Handle Shim	82-40
23A	Handle Screw Assembly	23-114	Preset Collar	83-40
24	Handle Assembly	24-40P	Main Gear Ratchet	98-40
26	R.S. Plate Ball Bearing	26N-40	Meta Drag Washer Screw (4 req.)	101-30
26A	L.S. Spool Ball Bearing	55-45	Click Ratchet Screw (4 req.)	101-30
26B	R.S. Bushing	26-45	Quadrant Ring Screw	110-50
28	Left Side Ring	28-40	Handle Lock Screw	110-60
29L	Spool Assembly	29L-40	Drive Plate Assembly	117-45
32	Lower L.S. Ring Screw (2 req.)	32-310	Gear Stud	134-40
33	Rod Clamp	33-113	Lever Cam Follower	141-40
34	Rod Clamp Screw (2 req.)	34-45	Pre-Set Knob	144-40
35	Click Tongue	35-40	Rod Clamp Nut (2 req.)	149-45
36	Click Button	36N-209	Hex Nut (2 req.)	149-200
36A	Click Button Washer	36A-45	Drag Coverer	156-40
37	Frame Post (2 req.)	37-40	Free Spool Button	161-25
37A	Top Spacer Bar	37A-45	Strike Button Assembly	161-40
38	Lower R.S. Plate Screw (2 req.)	38-8	Free Spool Button Spring	162-50
38A	R.S. Post Screw (2 req.)	38-40	Strike Button Spring	162-50
38B	Upper R.S. Plate Screw (2 req.)	32-22	Frame Assembly	183-45
39	L.S. Post Screw (3 req.)	39-9	Gear Stud Retaining Ring	195-40
41	Pre-Set Knob Spring	41N-40		
			41A	
			50	
			54	
			55	
			60	
			62	
			63	
			63A	
			63B	
			69	
			69B	
			71	
			81	
			82	
			83	
			98	
			101	
			101A	
			110	
			110A	
			117	
			134	
			141	
			144	
			149	
			149A	
			156	
			161	
			161A	
			162	
			162A	
			183	
			195	