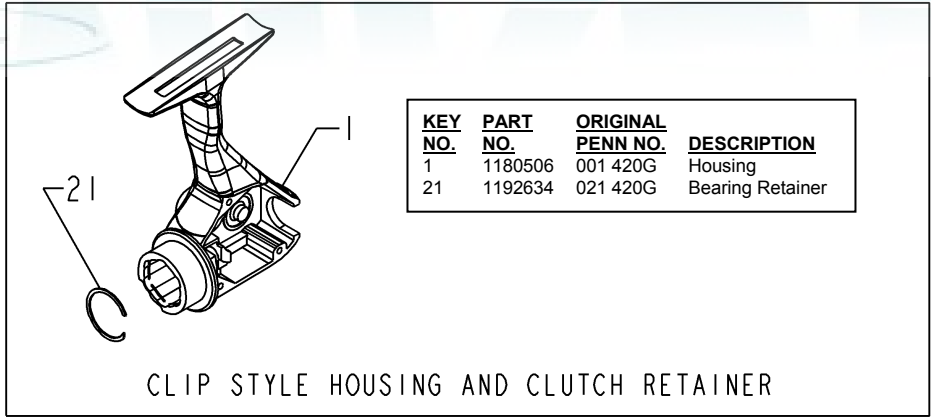
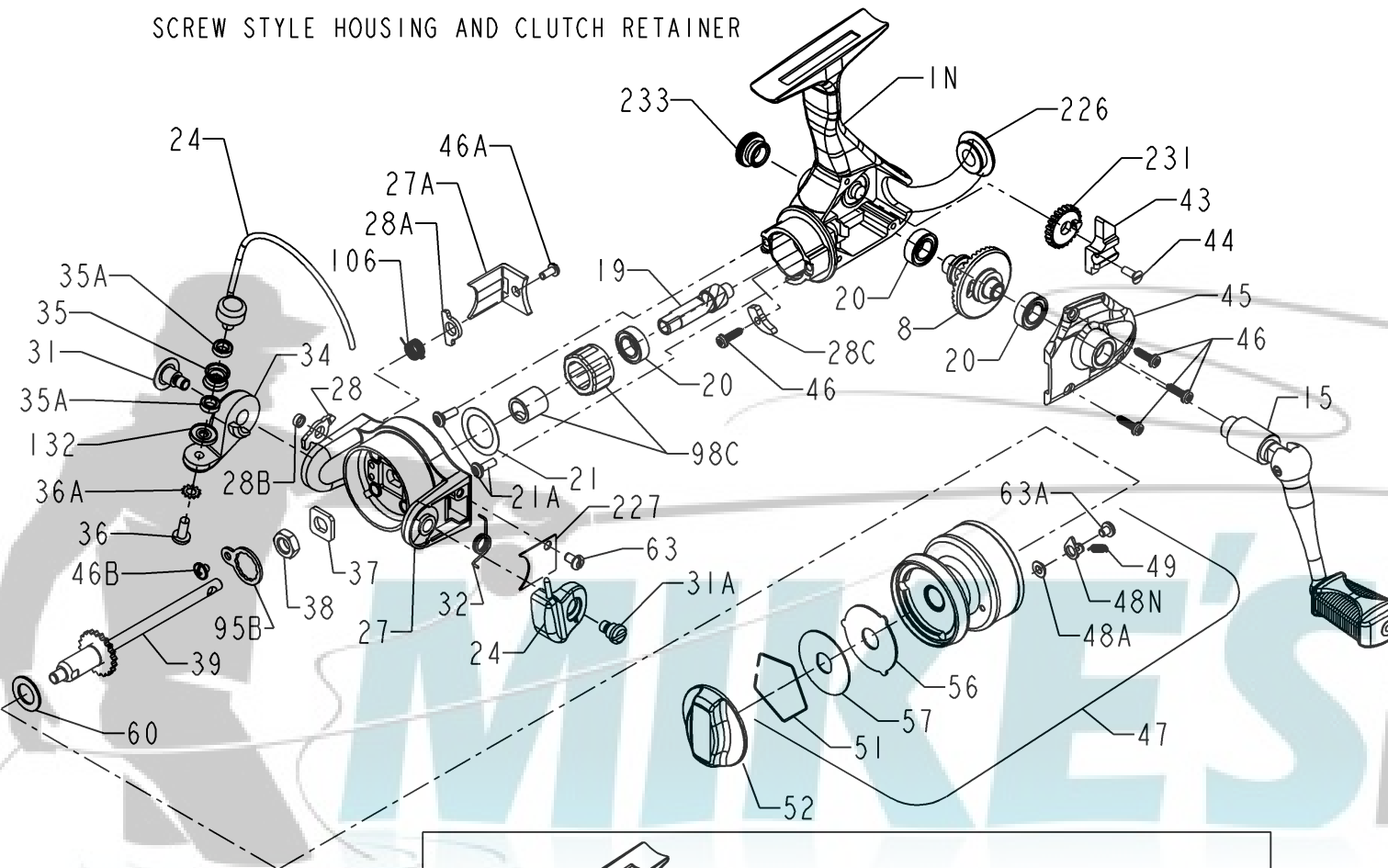




PARTS LIST FOR MODEL 420SSG

REEL PART NO. 1152056

SCREW STYLE HOUSING AND CLUTCH RETAINER



CLIP STYLE HOUSING AND CLUTCH RETAINER

KEY NO.	PART NO.	ORIGINAL PENN NO.	DESCRIPTION
1	1180506	001 420G	Housing
21	1192634	021 420G	Bearing Retainer

KEY NO.	PART NO.	ORIGINAL PENN NO.	DESCRIPTION
1N	1225193	001N420G	Housing
8	1181082	008 4200	Main Gear
15	1181468	015 420G	Handle Assembly
19	1191237	019 420G	Pinion
20	1181780	020 4200	Ball Bearing
21	1192635	021 430G	Bearing Retainer Screw
21A	1214652	021A420G	Screw
24	1191299	024 420G	Bail Wire (Complete)
27	1191409	027 420G	Rotor Cup
27A	1182319	027A4200	Bail Trip Cover
28	1182393	028 420	Trip Lever
28A	1182426	028A440	Cam Lever
28B	1182440	028B4200	Trip Lever Bushing
28C	1192674	028C420G	Trip Cam
31	1191568	031 430G	Bail Arm Screw
31A	1182689	031A550G	Bail Cam Screw
32	1182725	032 420	Bail Spring
34	1182818	034 420	Bail Arm
35	1182931	035 550G	Line Roller
35A	1182965	035A8500J	Bail Bearing
36	1183016	036 750	Bail Stud Screw
36A	1183032	036A750	Lock Washer
37	1183076	037 420	Rotor Washer
38	1183158	038 720	Rotor Cup Nut
39	1191751	039 420G	Spool Shaft
43	1191803	043 420G	Crosswind Block
44	1191844	044 420G	Cover Block Screw
45	1191866	045 420G	Housing Cover
46	1191902	046 430G	Self Tapping Screw
46A	1183585	046A4300	Cover Plate Screw
46B	1235665	046A420	Retaining Plate Screw
47	1191928	047 420G	Spool (Complete)
48A	1183720	048A4300	Click Tongue Bushing
48N	1183727	048N4300	Click Tongue
49	1183737	049 4300	Click Spring
51	1191977	051 430G	Retaining Ring
52	1183816	052 430G	Drag Knob Assembly
56	1183905	056 4200	Drag Washer HT-100
57	1183930	057 4200	Drag Washer (Metal)
60	1184006	060 716	Thrust Washer
63	1184052	063 500S	Bail Spring Cover Screw
63A	1184057	063A2.5FR	Click Spring Screw
95B	1235666	095B420	Retaining Plate
98C	1192213	098C420G	Clutch Bearing
106	1184432	106 5500	Cam Lever Spring
132	1184589	132 5500J	Roller Washer
226	1192459	226 430G	Rear Cap
227	1185044	227 4300	Bail Spring Cover
231	1192500	231 420G	Crosswind Gear
233	1192522	233 420G	Bearing Cover