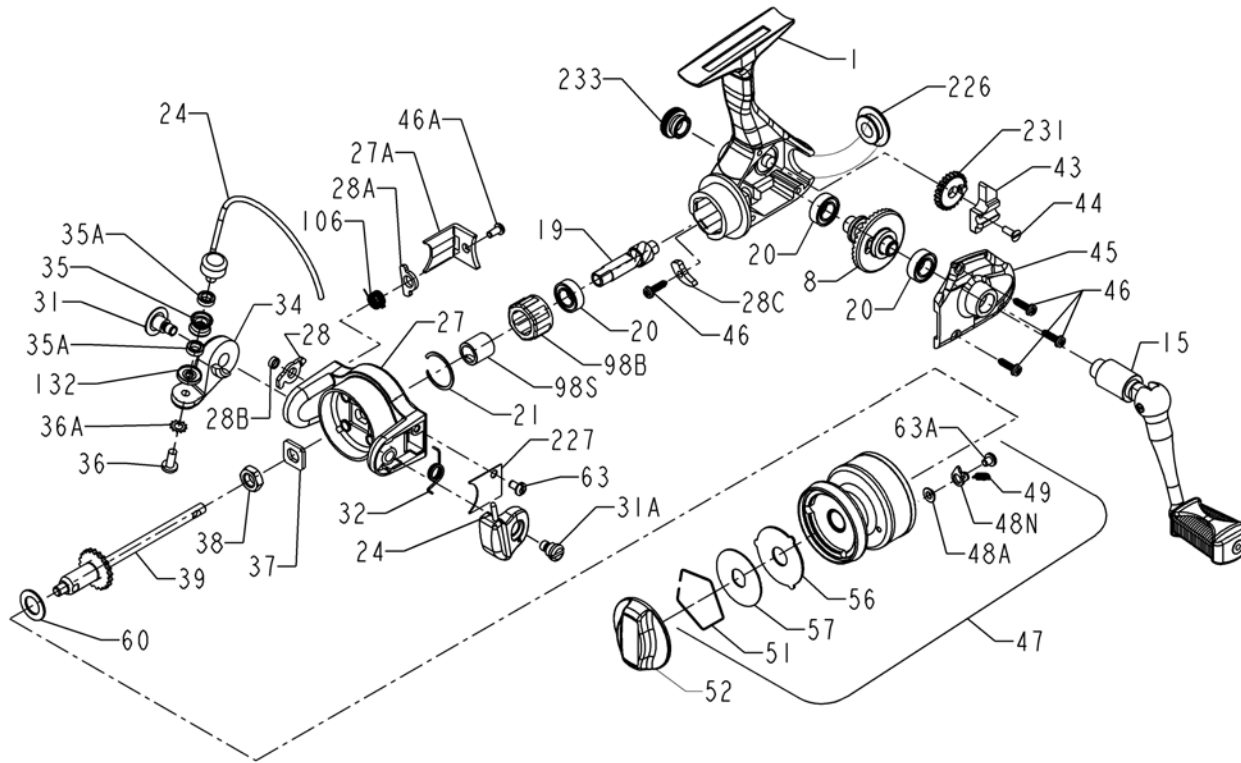




PARTS LIST FOR MODEL 420SSG



KEY NO.	PART NO.	DESCRIPTION
1	001 420G	Housing
8	008 4200	Main Gear
15	015 420G	Handle Assembly
19	019 420G	Pinion
20	020 4200	Ball Bearing
21	021 420G	Bearing Lock Ring
24	024 420G	Bail Wire (Complete)
27	027 420G	Rotor Cup
27A	027A4200	Bail Trip Cover
28	028 420	Trip Lever
28A	028A440	Cam Lever
28B	028B4200	Trip Lever Bushing
28C	028C420G	Trip Cam
31	031 430G	Bail Arm Screw
31A	031A550G	Bail Cam Screw
32	032 420	Bail Spring
34	034 420	Bail Arm
35	035 550G	Line Roller
35A	035A8500J	Ball Bearing
36	036 750	Bail Stud Screw
36A	036A750	Lock Washer
37	037 420	Rotor Washer
38	038 720	Rotor Cup Nut
39	039 420G	Spool Shaft
43	043 420G	Crosswind Block
44	044 420G	Cover Block Screw
45	045 420G	Housing Cover
46	046 430G	Self Tapping Screw
46A	046A4300	Cover Plate Screw
47	047 420G	Spool (Complete)
48A	048A4300	Click Tongue Bushing
48N	048N4300	Click Tongue
49	049 4300	Click Spring
51	051 430G	Retaining Ring
52	052 430G	Drag Knob Assembly
56	056 4200	Drag Washer HT-100
57	057 4200	Drag Washer (Metal)
60	060 716	Thrust Washer
63	063 500S	Bail Spring Cover Screw
63A	063A2.5FR	Click Spring Screw
98B	098B420G	Clutch Bearing
98S	098S420G	Clutch Sleeve
106	106 5500	Cam Lever Spring
132	132 5500J	Roller Washer
226	226 430G	Rear Cap
227	227 4300	Bail Spring Cover
231	231 420G	Crosswind Gear
233	233 420G	Bearing Cover