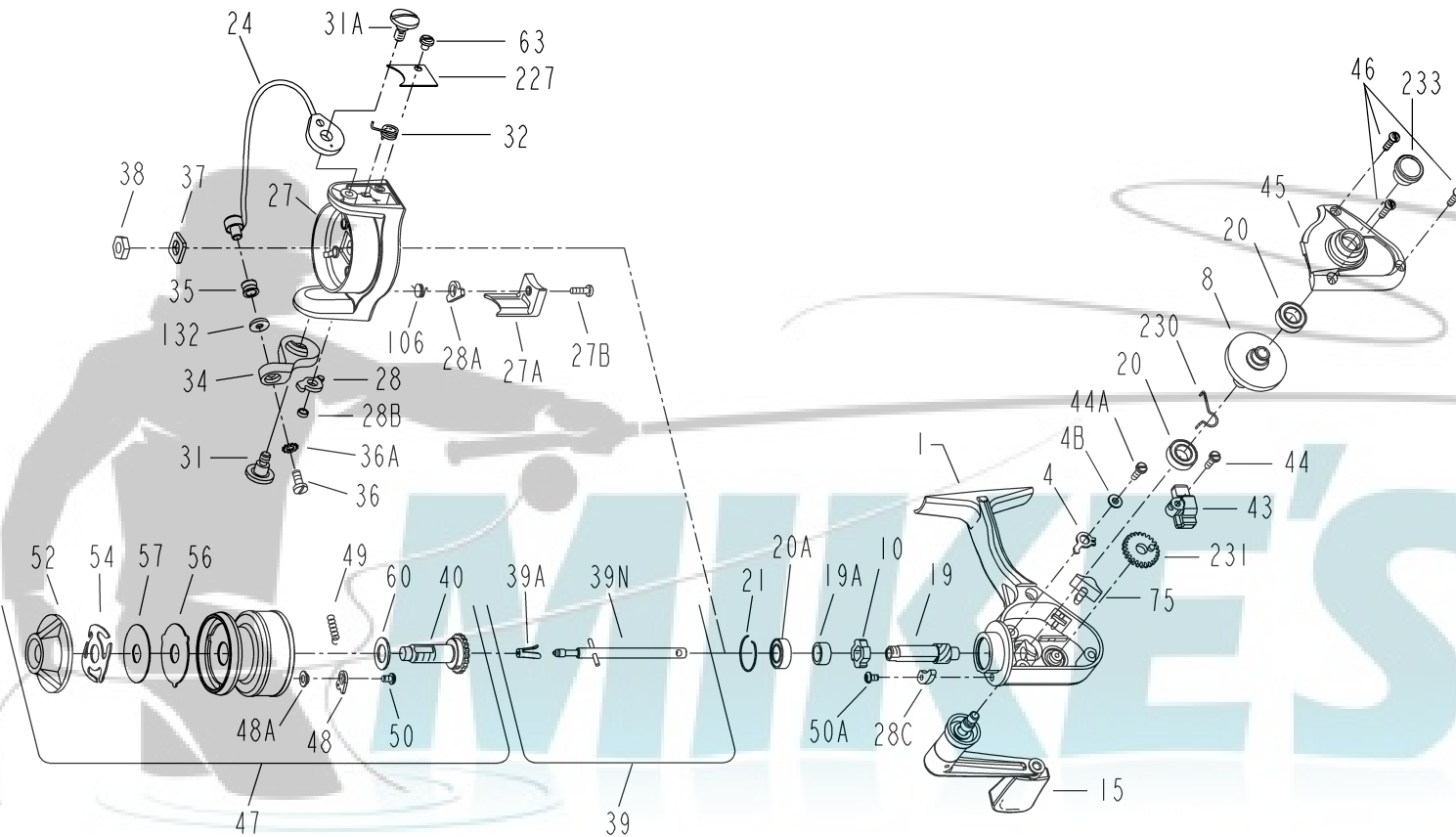


**PENN** PARTS LIST FOR MODEL 4200SS

REEL ASSEMBLY NO. 1151126



NOT ALL PARTS ARE AVAILABLE

KEY NO.	Penn STYLE NO.	ORDER PART NO.	DESCRIPTION
1	001 4200	1180507	Housing
4	004 4200	1180777	Dog
4B	004B4200	1180802	Dog Lever Bushing
8	008 4200	1181082	Main Gear Assembly
10	010 4200	1181198	Ratchet
15	015N4200	N/A	Handle (Complete)
19	019 4200	1181690	Pinion
19A	019A4200	1181733	Pinion Spacer
20	020 4200	1181780	Ball Bearing- Main (2 req)
20A	055 4200	1183889	Ball Bearing (Pinion)
21	021 4200	1181868	Bearing Lock Ring
24	024 420	1182032	Bail Wire Assembly
27	027 4200	1182236	Rotor Cup
27A	027A4200	1182319	Bail Trip Cover
27B	046A4300	1183585	Bail Trip Cover Screw
28	028 420	1182393	Trip Lever
28A	028A440	1182426	Cam Lever
28B	028B4200	1182440	Trip Lever Bushing
28C	028C4200	1182450	Trip Cam
31	031 420	1182668	Bail Arm Screw
31A	031A420	1182687	Bail Cam Screw
32	032 420	1182725	Bail Spring
34	034 420	1182818	Bail Arm
35	035 420	1182926	Line Roller
36	036 750	1183016	Bail Stud Screw
36A	036A750	1183032	Lock Washer
37	037 420	1183076	Rotor Cup Washer
38	038 720	1183158	Rotor Cup Nut
39	039N4200	1183255	Spool Shaft Complete
39A	039A4300	1183246	Spool Retainer
39N	039N4200B	N/A	Spool Shaft with Pin
40	040 4200	1183281	Spool Sleeve Complete
43	043 4200	1183388	Crosswind Block
44	044 4200	1183450	Crosswind Block Screw
44A	046A4300	1183585	Dog Screw
45	045 4200	1183500	Housing Cover
46	046 4300	1183567	Housing Cover Screw (3 req)
47	047 4200	1183633	Spool (Complete)
48	048N4300	1183727	Click Tongue
48A	048A4300	1183720	Click Tongue Washer
49	049 4300	1183737	Click Spring
50	063A2.5FR	1184057	Click Spring Screw
50A	046A4300	1183585	Trip Cam Screw
52	052 716	1183835	Drag Knob
54	054 4200	1183861	Drag Spring
56	056 4200	1183905	Drag Washer HT100
57	057 4200	1183930	Drag Washer Metal
60	060 716	1184006	Spool Sleeve Washer
63	063 500S	1184052	Bail Spring Cover Screw
75	075 4300	1184190	Eccentric Button
106	106 5500	1184432	Cam Lever Spring
132	132 420	1184585	Roller Washer
227	227 4300	1185044	Bail Spring Cover
230	230 4200	1185064	Friction Dog Spring
231	231 4200	1185077	Crosswind Gear
233	233 4200	1185139	Bearing Cover

N/A = NOT AVAILABLE