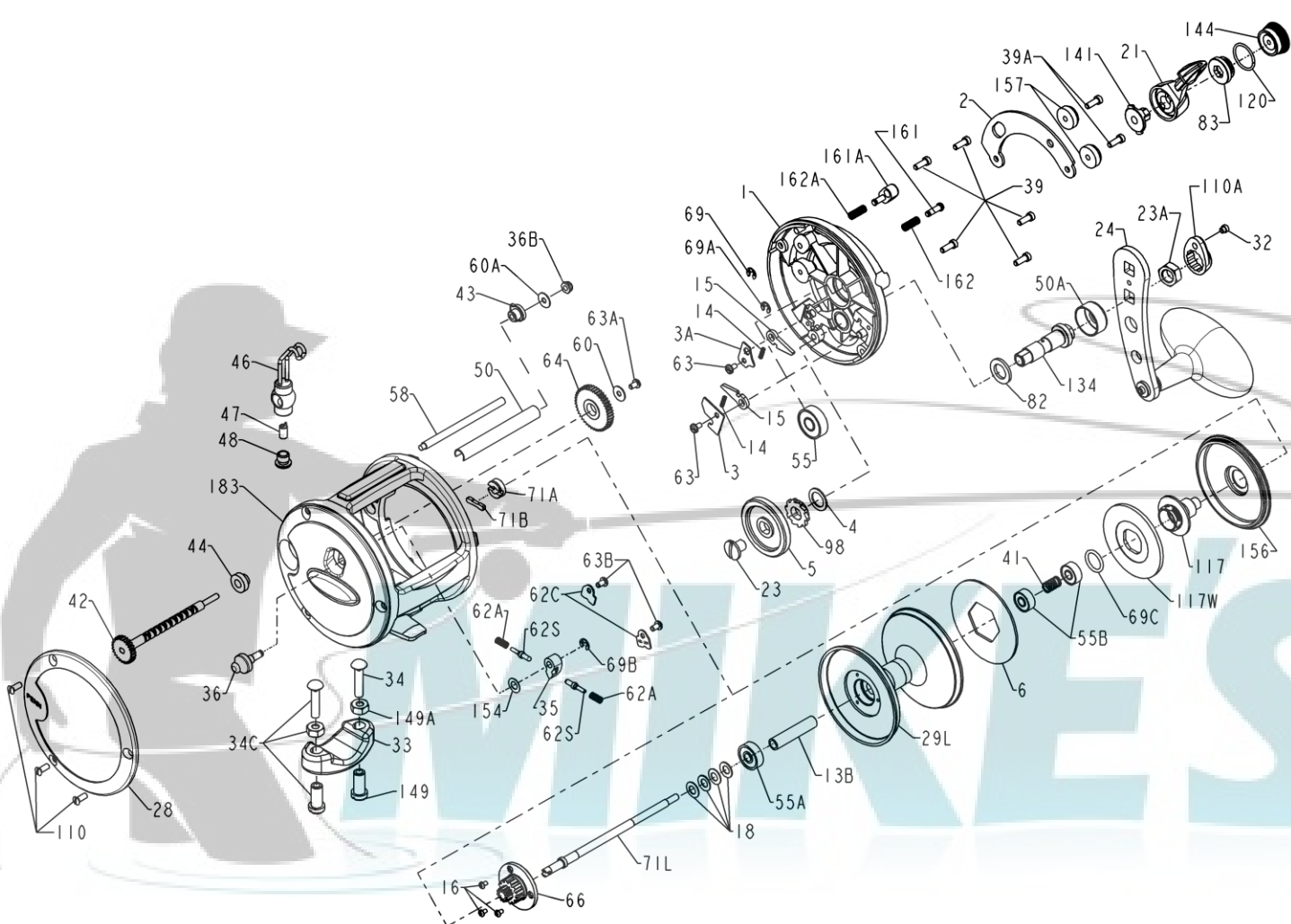




PARTS LIST FOR MODEL 330LD (1151103)



| KEY NO. | PENN STYLE NO. | PART NO. | DESCRIPTION |
|---------|----------------|----------|--------------------------------|
| 23 | 023 006CH | 1181930 | Gear Mounting Screw |
| 23A | 023 555 | 1181950 | Handle Nut |
| 24 | 024S113HN | 1192667 | Handle Assembly (SS) |
| 28 | 028N330 | 1191513 | Left Side Ring |
| 29L | 029L330LD | 1182540 | Spool |
| 32 | 032 015 | 1182708 | Handle Lock Screw |
| 33 | 033 113 | 1182754 | Rod Clamp |
| * | *033R200 | 1182783 | *Ringed Rod Clamp (Optional) |
| 34 | 034 045 | 1182788 | Clamp Screw Only(2 req.) |
| 34C | 034C045 | 1182862 | Clamp Screw w/Nuts |
| 35 | 035 310N | 1182922 | Click Tongue |
| 36 | 036 330 | 1191700 | Click Button |
| 36B | 036 700 | 1183014 | Worm Shaft Nut |
| 39 | 039 004CH | 1183179 | R.S. Plate Screw (5 req.) |
| 39A | 039 004CH | 1183179 | Spacer Quadrant Screw (2 req.) |
| 41 | 041 320LD | 1183335 | Bearing Spring |
| 42 | 042 330N | 1183351 | Worm |
| 43 | 043 330 | 1183384 | Right Side Worm Bearing |
| 44 | 044 330 | 1183446 | Left Side Worm Bearing |
| 46 | 046 330N | 1183563 | Line Guide Carriage |
| 47 | 047 975 | 1183677 | Pawl |
| 48 | 048 330N | 1183704 | Pawl Cover Screw |
| 50 | 050N330 | 1183761 | Worm Shield |
| 50A | 050 025 | 1183746 | Cover Gear Stud |
| 55 | 026N025 | 1182145 | R.S. Plate Ball Bearing |
| 55A | 055 320LD | 1183888 | L.S. Spool Bearing |
| 55B | 055 116 | 1183882 | Spool Bearing (2 req.) |
| 58 | 058 330 | 1183955 | Line Guide Post |
| 60 | 060 320 | 1183991 | Idler Gear Washer |
| 60A | 060 320 | 1183991 | Worm Bearing Washer |
| 62A | 062A310 | 1184033 | Click Spring (2 req.) |
| 62C | 062C321LH | 1184041 | Click Spring Cover (2 req.) |
| 62S | 062S310 | 1192075 | Click Pin (2 req.) |
| 63 | 063 500S | 1184052 | Dog Bridge Screw (2 req.) |
| 63A | 063 500S | 1184052 | Idler Gear Screw |
| 63B | 063 500S | 1184052 | Click Spring Screw (2 req.) |
| 64 | 064 330 | 1184067 | Idler Gear |
| 66 | 066 320LD | 1184094 | Spool Gear |
| 69 | 069B050 | 1184125 | Strike Button Retaining Ring |
| 69A | 069B050 | 1184125 | Button Retaining Ring |
| 69B | 069B600 | 1184129 | Click Tongue Retaining Ring |
| 69C | 069C225 | 1184132 | Retaining Ring |
| 71A | 071A320LD | 1184158 | Bushing |
| 71B | 071B320LD | 1184165 | Key |
| 71L | 071L330LD | 1192134 | Spindle Spool |
| 82 | 082 025 | 1184220 | Handle Shim |
| 83 | 083 225 | 1184227 | Preset Collar |
| 98 | 098 330LD | 1184351 | Main Gear Ratchet |
| 110 | 110 050 | 1184436 | L.S. Ring Screw (3 req.) |
| 110A | 110A555 | 1184442 | Handle Nut Cap |
| 117 | 117 330LD | 1184486 | Pinion Drive Plate |
| 117W | 117W330LD | 1192267 | Washer, Drive Plate |
| 120 | 120 113H | 1184522 | O-Ring |
| 134 | 134 330LD | 1192318 | Gear Stud |
| 141 | 141 225 | 1184660 | Cam Follower |
| 144 | 144 320LD | 1184689 | Preset Knob |
| 149 | 149 045 | 1184702 | Clamp Nut (2 req.) |
| 149A | 149 200 | 1184706 | Hex Nut (2 req.) |
| 154 | 154 117 | 1184721 | Click Shim |
| 156 | 156 225 | 1184746 | Drag Cover |
| 157 | 157 330LD | 1184768 | Quadrant Spacer (2 req.) |
| 161 | 161 025 | 1184785 | Free Spool Button |
| 161A | 161 040 | 1184787 | Strike Button |
| 162 | 162 050 | 1184795 | Free Spool Button Spring |
| 162A | 162 050 | 1184795 | Strike Button Spring |
| 183 | 183N330LD | 1192436 | Frame Assembly |

* Not Shown

| KEY NO. | PENN STYLE NO. | PART NO. | DESCRIPTION |
|---------|----------------|----------|--------------------|
| 1 | 001 330LD | 1180497 | Right Side Plate |
| 2 | 002 330LD | 1190899 | Quadrant Ring |
| 3 | 003 330LD | 1190926 | Dog Bridge |
| 3A | 003A330LD | 1190932 | R.S. Dog Bridge |
| 4 | 004 025 | 1180750 | Gear Stud Washer |
| 5 | 005 320LD | 1180867 | Main Gear |
| 6 | 006 025 | 1180903 | Drag Washer HT-100 |

| KEY NO. | PENN STYLE NO. | PART NO. | DESCRIPTION |
|---------|----------------|----------|-----------------------------|
| 13B | 013B320LD | 1181373 | Spool Sleeve |
| 14 | 014 99 | 1181393 | Dog Spring (2 req.) |
| 15 | 015N025 | 1181561 | Dog (2 req.) |
| 16 | 016 975LD | 1181587 | Spool Gear Screw (3 req.) |
| 18 | 018 975LD | 1181629 | Clutch Disc Spring (4 req.) |
| 21 | 021 330LD | 1181864 | Drag Cam Lever |