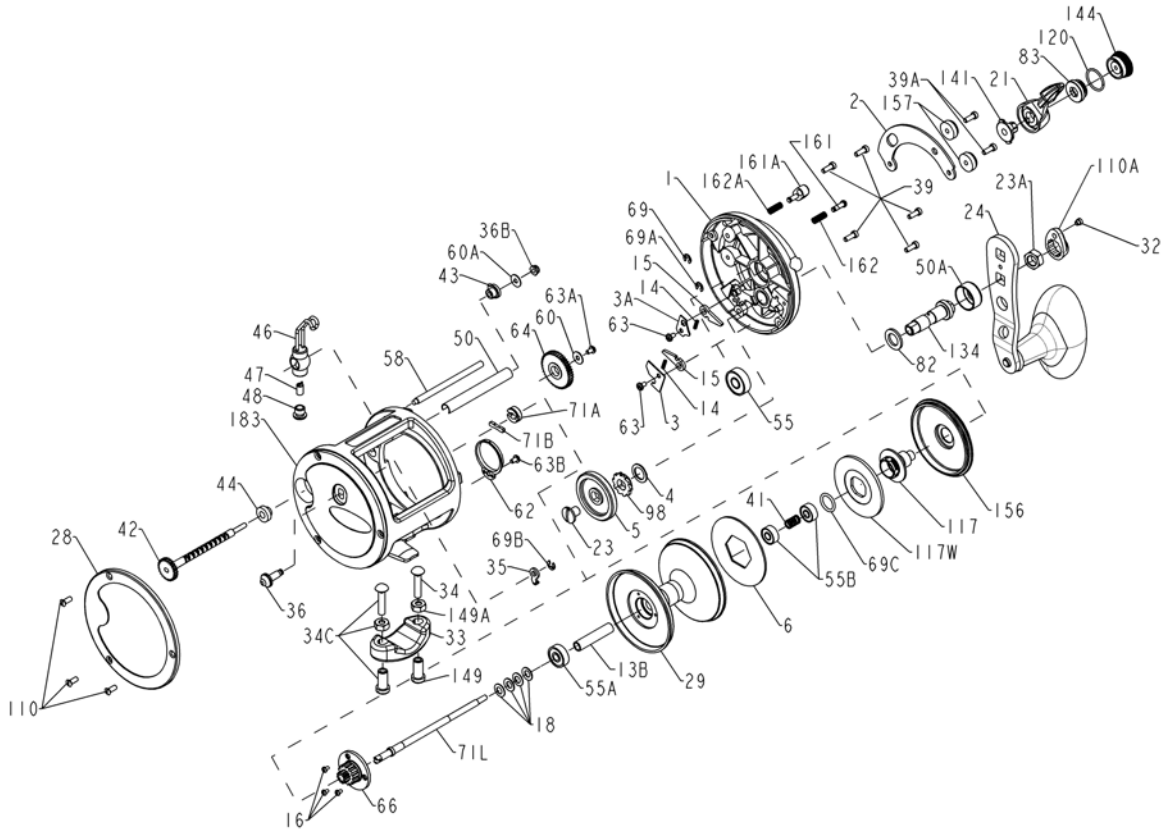




PARTS LIST FOR MODEL 330LD



KEY NO.	PART NO.	DESCRIPTION
1	001 330LD	Right Side Plate
2	002 330LD	Quadrant Ring
3	003 330LD	Dog Bridge
3A	003A330LD	R.S. Dog Bridge
4	004 025	Gear Stud Washer
5	005 320LD	Main Gear
6	006 025	Drag Washer HT-100
13B	013B320LD	Spool Sleeve
14	014 99	Dog Spring (2 req.)
15	015N025	Dog (2 req.)
16	016 975LD	Spool Gear Screw (3 req.)
18	018 975LD	Clutch Disc Spring (4 req.)
21	021 330LD	Drag Cam Lever
23	023 006CH	Gear Mounting Screw

KEY NO.	PART NO.	DESCRIPTION
23A	023 555	Handle Nut
24	024 113HN	Handle Assembly
28	028 330	Left Side Ring
29L	029L330LD	Spool
32	032 015	Handle Lock Screw
33	033 113	Rod Clamp
	033R200	Ringed Rod Clamp (Optional)
34	034 045	Clamp Screw Only
34C	034C045	Clamp Screw w/Nuts
35	035 320	Click Tongue
36	036 320	Click Button
36B	036 700	Worm Shaft Nut
39	039 004CH	R.S. Plate Screw (5 req.)
39A	039 004CH	Spacer Quadrant Screw (2 req.)
41	041 320LD	Bearing Spring
42	042 330N	Worm
43	043 330	Right Side Worm Bearing
44	044 330	Left Side Worm Bearing
46	046 330N	Line Guide Carriage
47	047 975	Pawl
48	048 330N	Pawl Cover Screw
50	050N330	Worm Shield
50A	050 025	Cover Gear Stud
55	026N025	R.S. Plate Ball Bearing
55A	055 320LD	L.S. Spool Bearing
55B	055 116	Spool Bearing (2 req.)
58	058 330	Line Guide Post
60	060 320	Idler Gear Washer
60A	060 320	Worm Bearing Washer
62	062 209	Click Spring
63	063 500S	Dog Bridge Screw (2 req.)
63A	063 500S	Idler Gear Screw
63B	063 500S	Click Spring Screw
64	064 330	Idler Gear
66	066 320LD	Spool Gear
69	069B050	Strike Button Retaining Ring
69A	069B050	Free Spool Button Retaining Ring
69B	069B600	Click Tongue Retaining Ring
69C	069C225	Retaining Ring
71A	071A320LD	Bushing
71B	071B320LD	Key
71L	079L330LD	Spindle Spool
82	082 025	Handle Shim
83	083 225	Preset Collar
98	098 330LD	Main Gear Ratchet
110	110 050	L.S. Ring Screw (3 req.)
110A	110A555	Handle Nut Cap
117	117 330LD	Pinion Drive Plate
117W	117W330LD	Washer, Drive Plate
120	120 113H	O-Ring
134	134 330LD	Gear Stud
141	141 225	Cam Follower
144	144 320LD	Preset Knob
149	149 045	Clamp Nut (2 req.)
149A	149 200	Hex Nut (2 req.)
156	156 225	Drag Cover
157	157 330LD	Quadrant Spacer (2 req.)
161	161 025	Free Spool Button
161A	161 040	Strike Button
162	162 050	Free Spool Button Spring
162A	162 050	Strike Button Spring
183	183 330LD	Frame