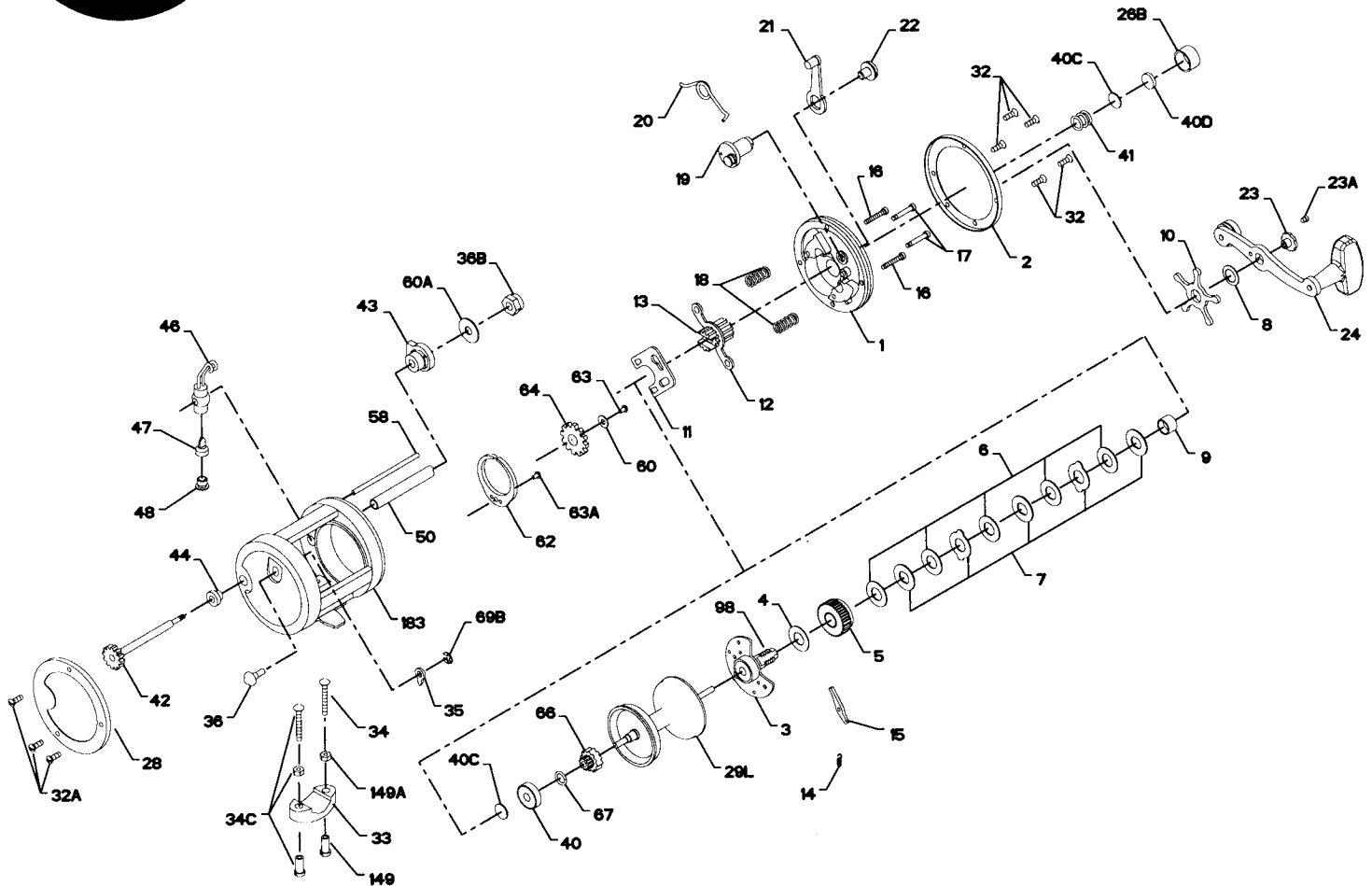




PARTS LIST FOR MODEL 330GTI



KEY NO.

DESCRIPTION

1	Right Side Plate
2	Right Side Ring
3	Bridge Assembly
4	Fiber Washer
5	Main Gear
6	Friction Drag Washer (5 req.)
7	Metal Drag Washer (Set of 5)
8	Tension Spring
9	Spacing Sleeve
10	Star Drag
11	Eccentric Jack
12	Pinion Yoke
13	Pinion Gear
14	Dog Spring
15	Dog
16	Lower Bridge Screw (2 req.)
17	Upper Bridge Screw (2 req.)
18	Clutch Spring (2 req.)
19	Eccentric Cam
20	Eccentric Spring
21	Eccentric Lever Assembly
22	Eccentric Screw
23	Handle Assembly Screw
23A	Handle Lock Screw
24	Handle Assembly
26B	Spool Tension Control Cap
28	Left Side Ring
29L	Aluminum Spool
32	R.S. Plate Screw (5 req.)
32A	L.S. Ring Screw (3 req.)
33	Rod Clamp

PART NO.

1-330
2-330
3-330
4-349
5-320
6-320
7C-970
8-349
9-320
10-349
11-330
12-60
13-330
14-330
15-330
16-113H
17-113H
18-60
19-330
20-155
21-309
22-60
23-114
110-60
24-330
26B-320
28-330
29L-330
32-17
32-310
33-113

KEY NO.

DESCRIPTION

33R	Ringed Rod Clamp (Optional)
34	Clamp Screw Only
34C	Clamp Screw w/Nuts
35	Click Tongue
36	Click Button
36B	Worm Shaft Nut
40	Ball Bearing
40C	Metal Thrust Washer (2 req.)
40D	Rubber Thrust Washer
41	Right Side Thrust Spring
42	Worm
43	Right Side Worm Bearing
44	Left Side Worm Bearing
46	Line Guide Carriage
47	Pawl
48	Pawl Cover Screw
50	Worm Shield
58	Line Guide Post
60	Idler Gear Washer
60A	Idler Gear Washer
62	Click Spring
63	Idler Gear Screw
63A	Click Spring Screw
64	Idler Gear
66	Spool Gear Click Ratchet
67	Spool Gear Lock Ring
69B	Retaining Ring Click Button
98	Gear Sleeve
149	Clamp Nut Only
149A	Hex Nut Only
183	Frame

PART NO.

*33R-200
34-45
34C-45
35-320
36-320
36-700
40-320
40C-320
40D-320
41-330
42-330N
43-320
44-320
46-330N
47-320
48-330N
50-330
58-330
60-320
60-320
62M-209
63-500S
63-330
64-330
66-320
69-9
69B-600
98-320
149-45
149-200
183-330