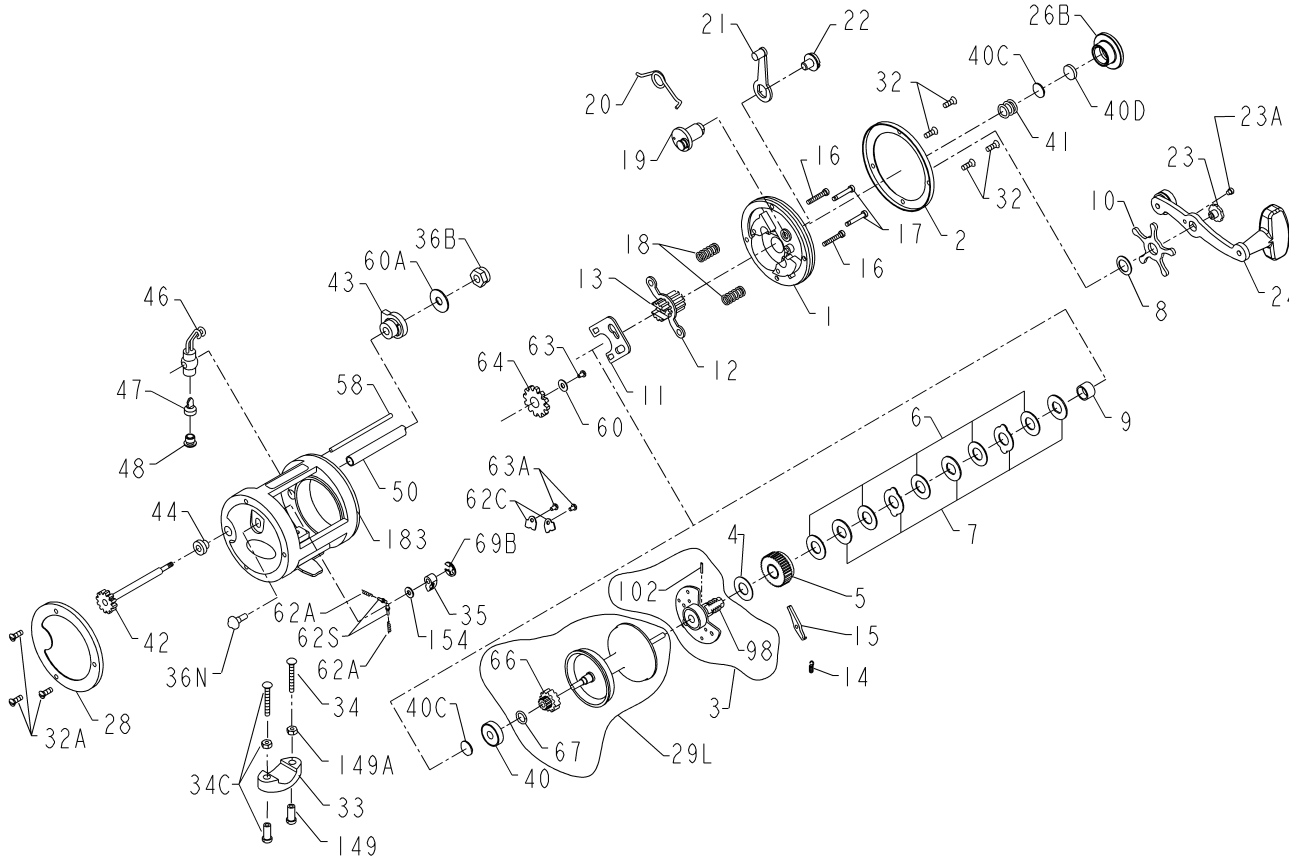




PARTS LIST FOR MODEL 320GT2



| <u>KEY NO.</u> | <u>PART NO.</u> | <u>DESCRIPTION</u> |
|----------------|-----------------|-------------------------------|
| 6 | 006 320 | Friction Drag Washer (5 req.) |
| 7 | 007C970 | Metal Drag Washer (Set of 5) |
| 8 | 008 349 | Tension Spring |
| 9 | 009 320 | Spacing Sleeve |
| 10 | 010 349 | Star Drag |
| 11 | 011 320 | Eccentric Jack |
| 12 | 012 155 | Pinion Yoke |
| 13 | 013N320 | Pinion Gear |
| 14 | 014 330 | Dog Spring |
| 15 | 015 320 | Dog |
| 16 | 016 113H | Lower Bridge Screw (2 req.) |
| 17 | 017 113H | Upper Bridge Screw (2 req.) |
| 18 | 018 060 | Clutch Spring (2 req.) |
| 19 | 019 320 | Eccentric Cam |
| 20 | 020 155 | Eccentric Spring |
| 21 | 021 285 | Eccentric Lever Assembly |
| 22 | 022 060CH | Eccentric Screw |
| 23 | 023 114 | Handle Assembly Screw |
| 23A | 110 060 | Handle Lock Screw |
| 24 | 024 320 | Handle Assembly |
| 26B | 026B320 | Spool Tension Control Cap |
| 28 | 028 320GT2 | Left Side Ring |
| 29L | 029L320 | Spool Assembly |
| 32 | 032 017 | Side Plate Screw (4 req.) |
| 32A | 110 050 | Frame Screw (3 req.) |
| 33 | 033 113 | Rod Clamp |
| * | *033R200 | *Ringed Rod Clamp (Optional) |
| 34 | 034 045 | Clamp Screw Only |
| 34C | 034C045 | Clamp Screw w/Nuts |
| 35 | 035 310N | Click Tongue |
| 36N | 036N320LD | Click Button |
| 36B | 036 700 | Worm Shaft Nut |
| 40 | 040 320 | Ball Bearing |
| 40C | 040C320 | Metal Thrust Washer (2 req.) |
| 40D | 040D320 | Rubber Thrust Washer |
| 41 | 041 330 | Right Side Thrust Spring |
| 42 | 042 320N | Worm |
| 43 | 043 330 | Right Side Worm Bushing |
| 44 | 044 330 | Left Side Worm Bushing |
| 46 | 046 320N | Line Guide Carriage |
| 47 | 047 975 | Pawl |
| 48 | 048 330N | Pawl Cover Screw |
| 50 | 050N320 | Worm Shield |
| 58 | 058 320 | Line Guide Post |
| 60 | 060 320 | Idler Gear Washer |
| 60A | 060 320 | Idler Gear Washer |
| 62A | 062 545 | Click Spring (2 req.) |
| 62C | 062C321LH | Click Spring Cover (2 req.) |
| 62S | 062S310 | Click Pin (2 req.) |
| 63 | 063 500S | Idler Gear Screw |
| 63A | 063 500S | Click Spring Screw (2 req.) |
| 64 | 064 320 | Idler Gear |
| 66 | 066 320 | Spool Gear Click Ratchet |
| 67 | 067 009 | Spool Gear Lock Ring |
| 69B | 069B600 | Retaining Ring (Click Button) |
| 98 | 098 320 | Gear Sleeve |
| 102 | 102 113 | Gear Sleeve Pin |
| 149 | 149 045 | Clamp Nut Only |
| 149A | 149 200 | Hex Nut Only |
| 154 | 154 117 | Click Button Washer |
| 183 | 183 320GT2 | Frame |

| <u>KEY NO.</u> | <u>PART NO.</u> | <u>DESCRIPTION</u> |
|----------------|-----------------|--------------------|
| 1 | 001 320 | Right Side Plate |
| 2 | 002 320 | Right Side Ring |
| 3 | 003 320 | Bridge assembly |
| 4 | 004 349 | Fiber Washer |
| 5 | 005N320 | Main Gear |

*Not Shown