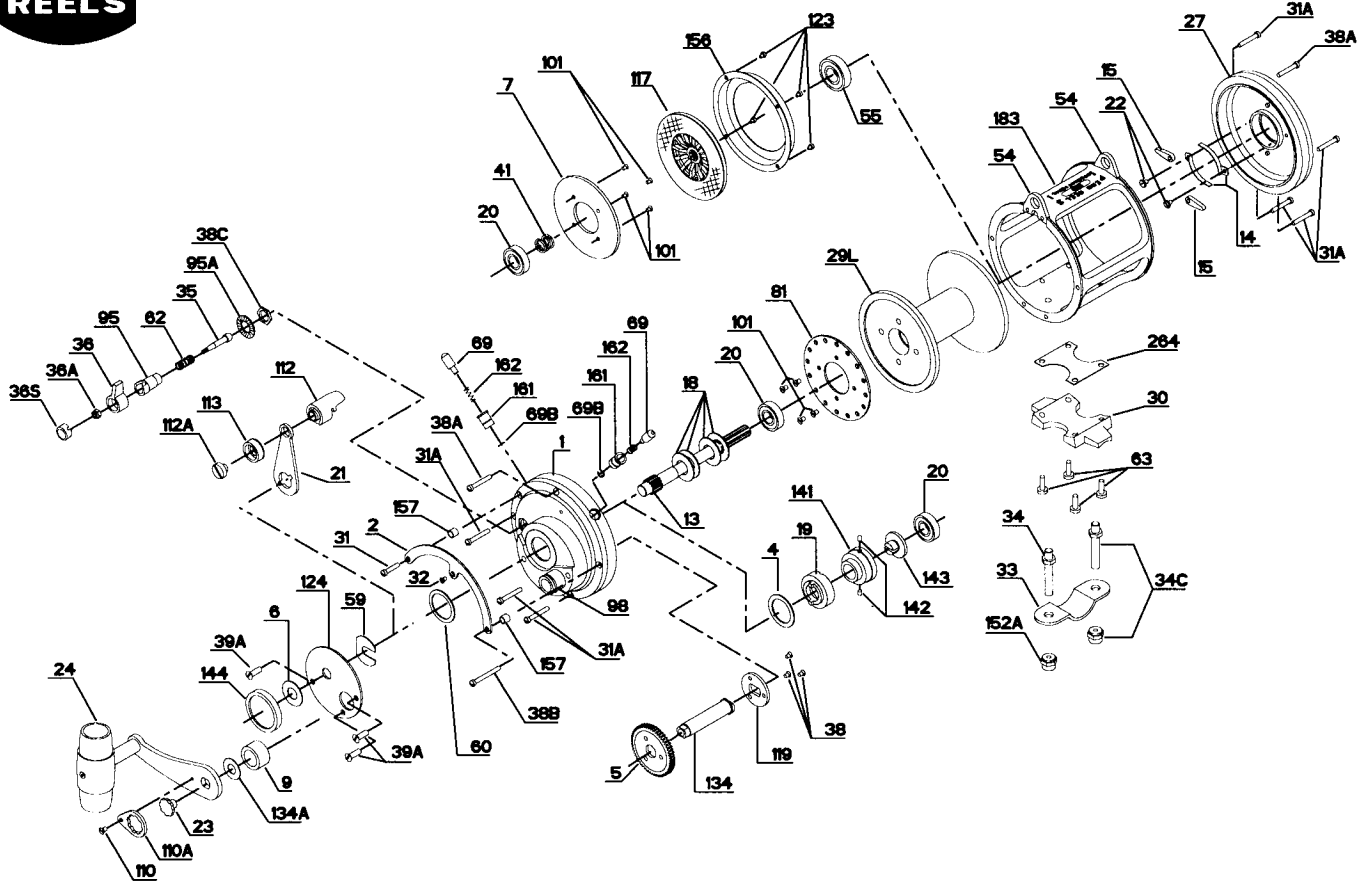




PARTS LIST FOR MODEL 30T AND 30TW



KEY NO.	DESCRIPTION	PART NO.	KEY NO.	DESCRIPTION	PART NO.
1	Right Side Plate Assembly	1-30TN	38C	Click Bushing Nut	38-710
2	Quadrant Ring	2-30	39A	Cover Screw (3 req.)	39A-80S
4	Cam Thrust Washer	4-30	41	L.S. Bearing Spring	41-50
5	Main Gear	5-50	54	Harness Lug (2 req.)	54-30T
6	Main Gear	5-50W	55	L.S. Bearing	55-80
6	Spacer Washer	6-155	59	Slotted Washer	59-50
7	Metal Drag Washer	7-30	60	Backing Washer	60-50
9	Spacer Sleeve	9-30	62	Click Spring	62-50
13	Pinion Gear	13-30	63	Stand Screws (4 req.)	63-30T
14	Pinion Gear	13-30TW	69	Locating Pin (2 req.)	69-50
14	Dog Spring (2 req.)	14-50	69B	Retaining Ring (2 req.)	69B-50
15	Dog (2 req.)	15-50	81	Ratchet	81-50
18	Disc Clutch Spring (4 req.)	18-30	95	Click Tongue Bushing	95-50
18	Disc Clutch Spring (4 req.)	18-30TW	95A	Click Bushing Washer	95A-20
19	Eccentric Cam	19-30W	98	Bridge Bushing	98-30TN
20	Ball Bearing (3 req.)	20-704	101	Drive Plate Screw (8 req.)	101-30
21	Eccentric Lever	21-30	110	Handle Lock Screw	110-50
22	Dog Spring Screw (2 req.)	22-109	110A	Handle Locking Plate	110A-50
23	Handle Screw	23-114	112	Eccentric Lever Knob	112-50
24	Handle Complete	24-30TW	112A	Eccentric Knob Screw	112A-50
27	L.S. Plate Assembly	27-30T	113	Eccentric Lever Cap	113-50
29L	Spool	29L-30T	117	Drive Plate w/Drag Washer	117D-30
29L	Spool	29L-30TW	119	Coupling Plate	119-50
30	Stand	30-20T	123	Drag Cover Screw (4 req.)	123-50
31	Short Quadrant Screw	31-20	124	Bridge Cover	124-30
31A	Frame Screw (7 req.)	31-80	134	Gear Stud	134-50
32	Center Quadrant Screw	32-14	134A	Gear Stud Washer	134A-50
33	Rod Clamp (30T)	33-990	141	Cam Follower	141-30
33	Rod Clamp (30TW)	33-114	142	Cam Follower Pin (2 req.)	142-50
34	Clamp Screw (Only)	34-50T	143	Adjusting Screw	143-30
34C	Rod Clamp Screw w/Nut	34C-50T	144	Preset Knob	144-50
35	Click Tongue	35-50	152A	Rod Clamp Acorn Nut (2 req.)	152A-50T
36	Click Button	36-50	156	Drag Cover	156-30T
36A	Click Button Nut	36-700	157	Quadrant Spacer Bushing (2 req.)	157-50
36S	Click Button Cap	36S-80ST	161	Locating Pin Bushing (2 req.)	161-50
38	Coupling Plate Screw (3 req.)	38-7	162	Locating Pin Spring (2 req.)	162-50
38A	Frame Screw (2 req.)	38-50	183	Tube Frame	183-30T
38B	Long Quadrant Screw	38-80		Tube Frame	183-30TW
Note:	Bridge Use For OLD STYLE R.S. PLATE	3-30	264	Stand Gasket	264-30T