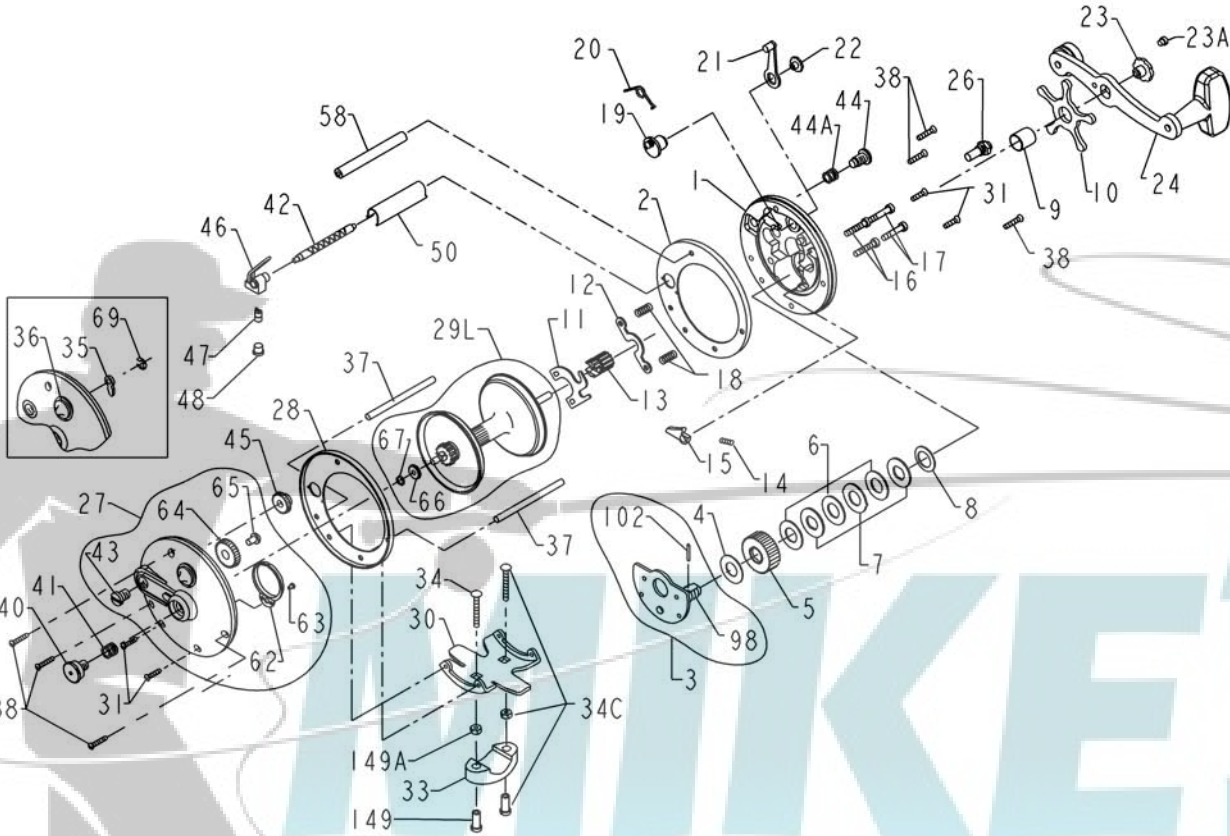




# PARTS LIST FOR MODELS 209 AND 309



KEY NO.	MODEL 209 PART NO.	MODEL 309 PART NO.	DESCRIPTION
8	008 060	008 060	Tension Washer
9	009 060	009 060	Spacing Sleeve
10	010 060	010 049	Star Drag
*	010 060LH	N/A	Star Drag (L.H.)
11	011 155	011 060	Eccentric Jack
*	011 155LH	N/A	Eccentric Jack (L.H.)
12	012 155	012 060	Pinion Yoke
**13	**013 209LC	013 085	**Pinion Gear
*	013 209LC-LH	N/A	Pinion Gear (L.H.)
14	014 099	014 099	Dog Spring
15	015 209	015 309	Dog
16	016 060CH	016 060CH	Lower Bridge Screw (2 req.)
17	017 060CH	017 060CH	Upper Bridge Screw (2 req.)
18	018 060	018 060	Clutch Spring (2 req.)
19	019 209	019 309	Eccentric
*	019 209LH	N/A	Eccentric (L.H.)
20	020 155	020 060L	Eccentric Spring
*	020 060LH	N/A	Eccentric Spring (L.H.)
21	021 209	021 309	Eccentric Lever
22	022 060CH	022 060CH	Eccentric Screw
23	023 060	023 060	Handle Screw
23A	110 060	110 060	Handle Lock Screw
24	024 066	024 066	Handle
26	026 155	026 060	R.S. Bearing
27	027 209	027 309	L.S. Plate Assembly
*	027 209LH	N/A	L.S. Plate Assembly (L.H.)
28	028 209	028 309	L.S. Ring
29L	029L209	029L309	Spool Assembly
30	030 066	030 066	Stand
31	032 022	032 016CH	Stand Screw (4 req.)
33	033 113	033 113	Rod Clamp
	033R200	033R200	Ringed Rod Clamp (Optional)
34	034 045	034 045	Clamp Screw (Only)
34C	034C045	034C045	Clamp Screw w/Nuts
35	035 155	035 060	Click Tongue
36	036N209	036N209	Click Button
37	037 160	037 065	Frame Post (2 req.)
38	038 008	038 008	Post Screw (6 req.)
40	040 060	040 060	L.S. Bearing
41	041 060	041 060	L.S. Bearing Spring
42	042 209	042 209	Worm
43	043 109	043 109	Worm Bearing
44	044N109	044N109	Worm Bearing
44A	057 109	057 109	Worm Bearing Spring
45	045N209	045N309	Worm Gear
46	046 209	046 309	Line Guide
*	046 209LH	N/A	Line Guide (L.H.)
47	047 109	047 109	Pawl
48	048 109	048 109	Pawl Cover
50	050 209	050 209	Worm Shield
58	058 209	058 209	Slotted Post
62	062 209	062 309	Click Spring
63	063 209	063 209	Click Spring Screw
64	064 209	064 309	Idler Gear
65	065 209	065 209	Idler Gear Screw
66	066N209	066 309	Level Wind Drive Gear
67	067 209	067 209	Drive Gear Lock Spring
69	069B600	069B600	Click Button Retaining Spring
98	098 155	098 060	Gear Sleeve
*	098 155LH	N/A	Gear Sleeve (L.H.)
102	102 060	102 060	Gear Sleeve Pin
149	149 045	149 045	Clamp Nut (2 req.)
149A	149 200	149 200	Hex Nut (2 req.)

\* = Parts for Left Hand Reel (Not Shown)  
 \*\* = For 209 manufactured in 2007 or before:  
 When replacing either the Main Gear, (005 155) or the Pinion Gear, (013 155), you MUST replace BOTH gears at the same time with Replacement Kit 005C209.  
 N/A = Not Applicable

KEY NO.	MODEL 209 PART NO.	MODEL 309 PART NO.	DESCRIPTION
1	001 209	001 309	Right Side Plate
*	001 209LH	N/A	Right Side Plate (L.H.)
2	002 209	002 309	R.S. Ring
3	003 155	003 309	Bridge Assembly
*	003 155LH	N/A	Bridge Assembly (L.H.)
4	004 155	004 155	Fiber Washer
**5	**005 209LC	005 500	**Main Gear
*	005 209LC-LH	N/A	Main Gear (L.H.)
6	006 155	006 309	Drag Washer (3 req.)
7	007C155	007C500	Drag Washer (Metal Set)