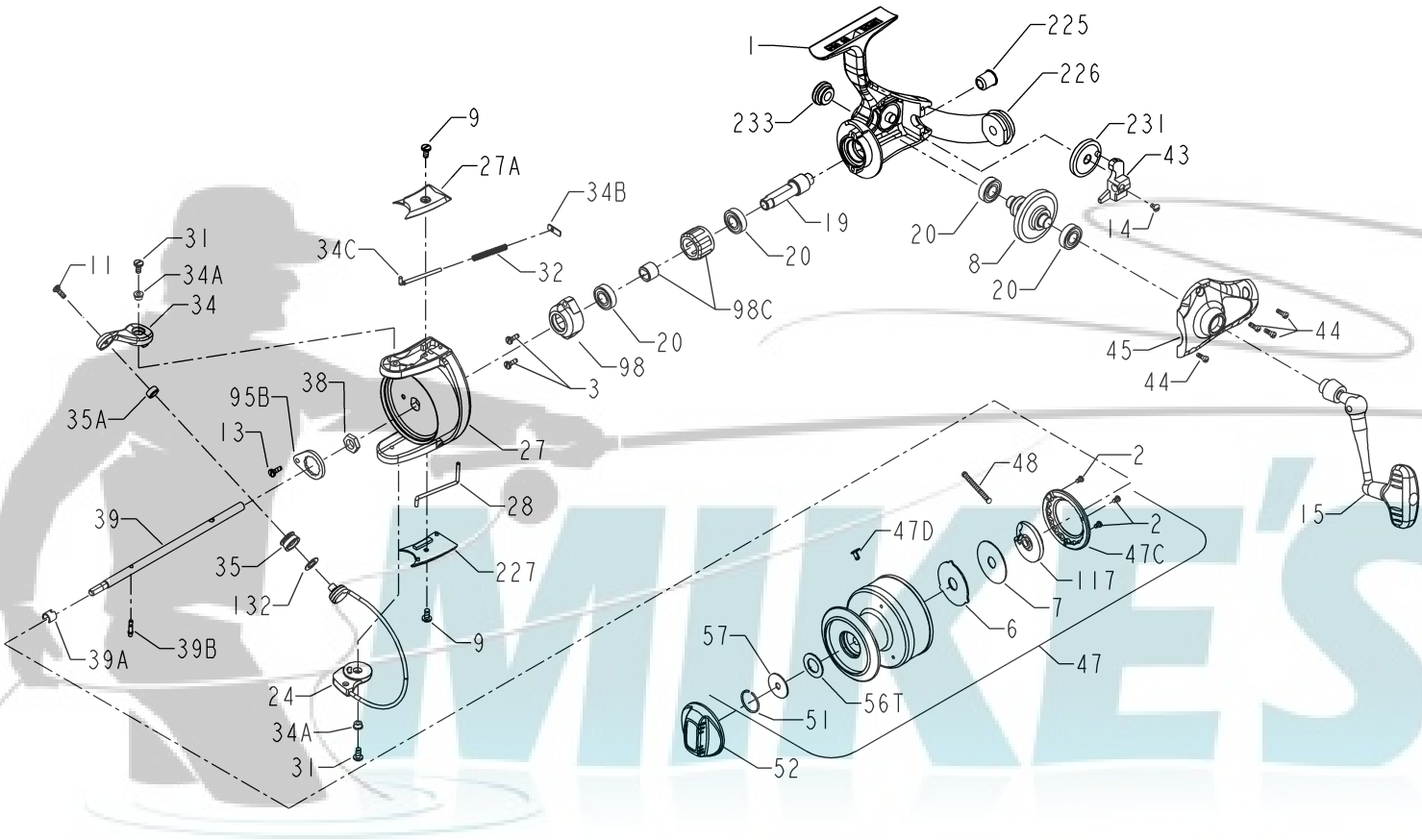




PARTS LIST FOR MODELS 260 AND 360

REEL ASSEMBLY NOS. 1152048 (260) AND 1152049 (360)



KEY NO.	DESCRIPTION	PENN STYLE NO.	PART NO.
1	Housing (260)	001 260	1180486
1	Housing (360)	001 360	1180500
2	Screw (3 req.)	044 5600	1183455
3	Screw (2 req.)	044 710	1183459
6	Main Drag Washer HT-100	056 440	1183906
7	Main Keyed Drag Washer	057 716	1183939
8	Main Gear	008 260	1181074
9	Screw (2 req.)	022 750	1181922
11	Screw	036 5600	1183011
13	Screw	063A2.5FR	1184057
14	Screw	044 260	1183443
15	Handle Asm	015 260	1181454
19	Pinion	019 260	1181677
20	Ball Bearing (4 req.)	020 260	1181774
24	Bail Wire Asm (260)	024 260	1182020
24	Bail Wire Asm (360)	024 360	1182027
27	Rotor Cup (260)	027 260	1182220
27	Rotor Cup (360)	027 360	1182230
27A	Bail Pivot Cover	027A260	1182311
28	Trip Lever	028 360	1182389
31	Screw (2 req.)	036 750	1183016
32	Bail Spring	032 260	1182721
34	Bail Arm	034 260	1182812
34A	Rotor Bushing (2 req.)	034A5600	1182846
34B	Pivot Plate	034B5600	1182856
34C	Pivot Arm	034C260	1182876
35	Line Roller	035 5600	1182933
35A	Ball Bearing	035A706	1182963
38	Rotor Nut	038 550	1183153
39	Spool Shaft Asm	039 260	1183208
39A	Locating Pin Clip	039A260	1183245
39B	Locating Pin	039B260	1183250
43	Crosswind Block	043 260	1183381
44	Screw (4 req.)	046 260	1183557
45	Housing Cover (260)	045 260	1183489
45	Housing Cover (360)	045 360	1183494
47	Spool Asm (260)	047 260	1183622
47	Spool Asm (360)	047 360	1183626
47C	Drag Cover	047C260	1183687
47D	Line Clip	047D5600	1183690
48	Click Tongue	048 5600	1183710
51	Retaining Ring	051 650	1183794
52	Drag Knob Asm	052 260	1183812
56T	Drag Washer (Teflon)	056T650	1183917
57	Drag Washer (Keyed)	057 5600	1183934
95B	Rotor Locking Plate	095B070	1184312
98	Clutch Retainer	098 260	1184346
98C	Clutch Bearing and Sleeve	098C360	1184383
117	Drive Plate	117 260	1184484
132	Line Roller Washer	132 5600	1184590
225	Crosswind Shaft Bushing	225 260	1184999
226	Rear Cap	226 260	1185010
227	Bail Trip Cover	227 260	1185041
231	Crosswind Gear	231 260	1185073
233	Bearing Cover	233 560	1185146