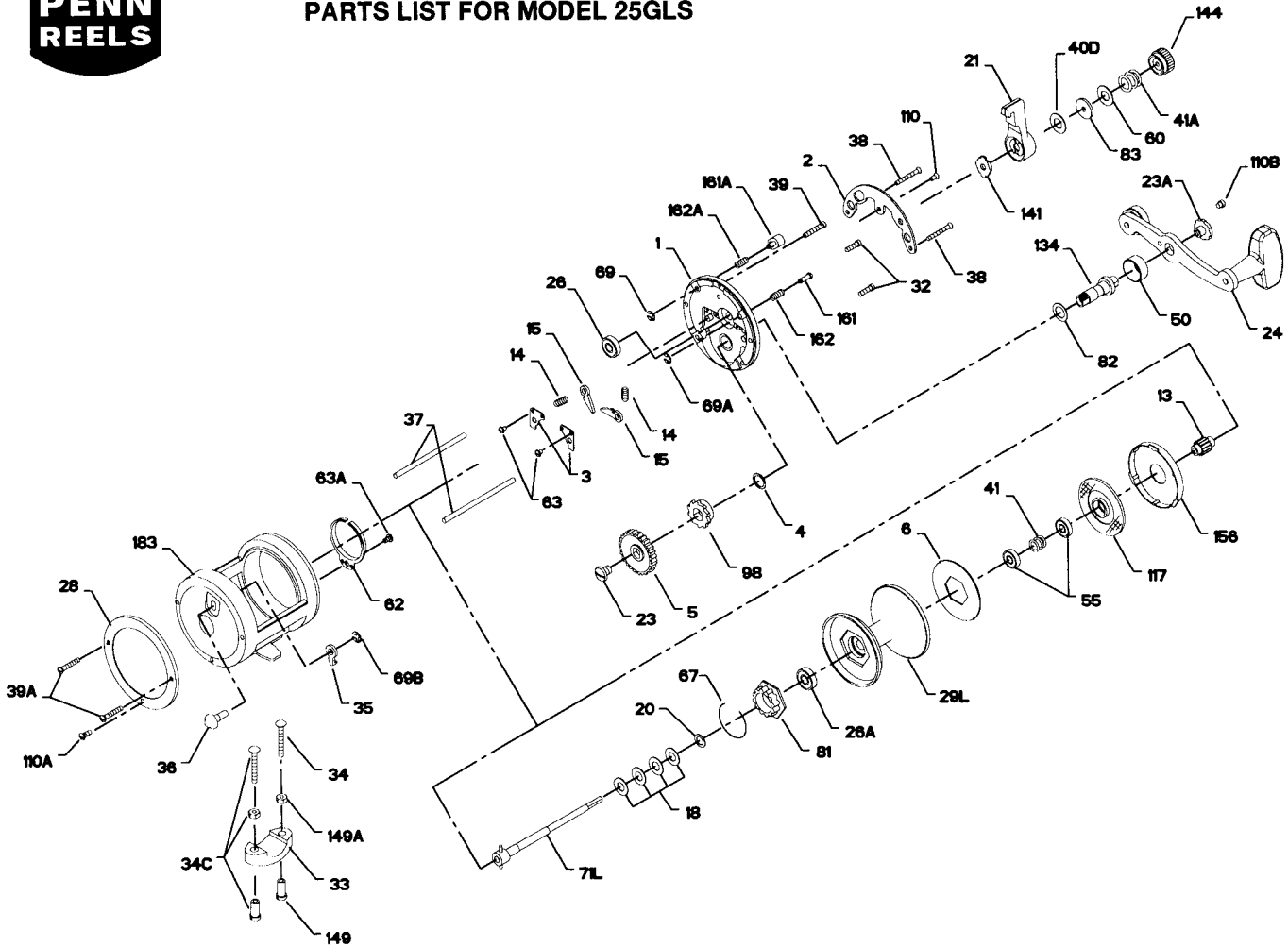




PARTS LIST FOR MODEL 25GLS



KEY NO.	DESCRIPTION	PART NO.	KEY NO.	DESCRIPTION	PART NO.
1	Right Side Plate	1N-25	41	Pre-Set Knob Spring	41-40
2	Quadrant Ring	2-25	41A	Bearing Spring	41-25
3	Dog Bridge (2 req.)	3N-25	50	Gear Stud Cover	50-25
4	Gear Stud Washer	4-25	55	Spool Bearing (2 req.)	55-116
5	Main Gear	5-25	60	Lever Backing Washer	60-25
6	Drag Washer	6-25	62	Click Spring	62-25
13	Pinion Gear	13N-25	63	Bridge Mounting Screw (2 req.)	63-500S
14	Dog Spring (2 req.)	14-40	63A	Click Spring Screw	63-500S
15	Dog (2 req.)	15N-25	67	Ratchet Retaining Ring	67-25
18	Clutch Disc Spring (4 req.)	18-40	69	Strike Button Retaining Ring	69B-50
20	Thrust Washer	20-40	69A	Free Spool Button Retaining Ring	69B-50
21	Cam Lever	21R-25	69B	Click Tongue Retaining Ring	69B-600
21B	Cam Lever Insert	*21B-40	71L	Spool Spindle Assembly	71L-25
23	Gear Mounting Screw	23-6	81	Click Ratchet	81-25
23A	Handle Screw	23-114	82	Handle Shim	82-25
24	Handle	24-320	83	Pre-Set Collar	83-25
26	Ball Bearing Drive Plate	26N-25	98	Main Gear Ratchet	98-25
26A	L.S. Spool Bearing	26N-25	110	R.S. Quadrant Screw	110-50
28	L.S. Ring	28-25	110A	L.S. Stand Screw	110-50
29L	Spool	29L-25	110B	Handle Lock Screw	110-60
32	Lower Plate Screw (2 req.)	32-22	117	Drive Plate Assembly	117-25
33	Rod Clamp	33-113	134	Gear Stud	134-25
34	Clamp Screw (Only)	*33R-200	134A	Gear Stud Washer	*134A-25
34C	Rod Clamp Screw w/Nuts	34-45	141	Cam Follower	141-25
35	Click Tongue	34C-45	144	Pre-Set Knob	144-25
36	Click Button	35-25	149	Clamp Nut (2 req.)	149-45
37	Post (2 req.)	36-25	149A	Hex Nuts (2 req.)	149-200
38	R.S. Post Screw (2 req.)	37-40	156	Drag Cover	156-25
39	R.S. Screw (Top)	38-40	161	Free Spool Button	161-25
39A	L.S. Post Screw (2 req.)	39-1	161A	Strike Button	161-40
40D	Friction Washer	39-9	162	Free Spool Button Spring	162-50
		40D-25	162A	Strike Button Spring	162-50
			183	Frame	183-25

\*Not Shown