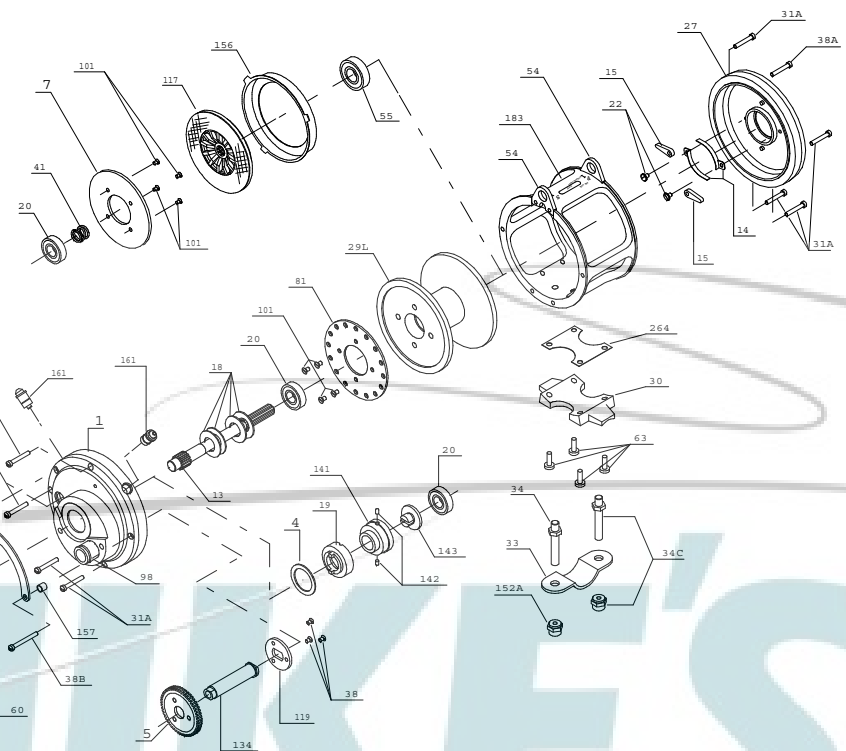
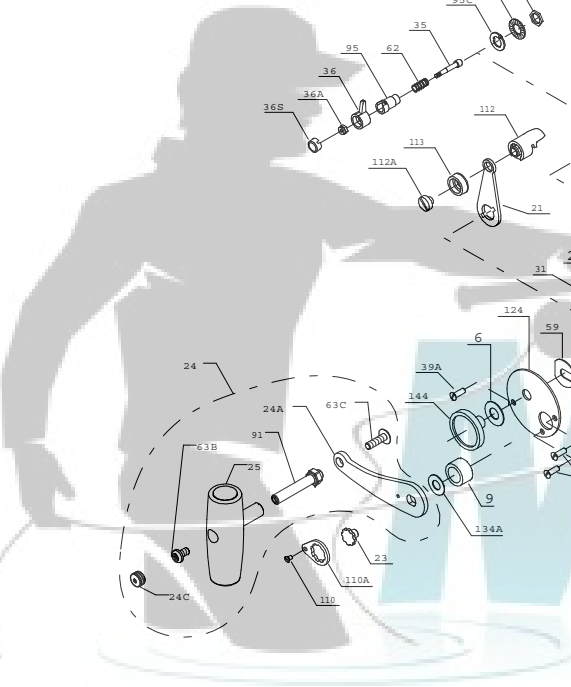




PARTS LIST FOR MODEL 20T



KEY NO.	DESCRIPTION	PART NO.	DESCRIPTION	PART NO.
24	Handle Complete	024 030TW	Handle Complete	024 030TW
24A	Handle Blank Only	024 030TW-1	Handle Blank Only	024 030TW-1
24C	Handle Knob Cap	024C050	Handle Knob Cap	024C050
25	Handle Knob	025 050	Handle Knob	025 050
27	L.S. Plate Assembly	027 020T	L.S. Plate Assembly	027 020T
29L	Spool	029L 020	Spool	029L 020
30	Stand	030 020T	Stand	030 020T
31	Short Quadrant Screw	031T020	Short Quadrant Screw	031T020
31A	Frame Screw (7 req.)	031T080	Frame Screw (7 req.)	031T080
32	Center Quadrant Screw	032T020	Center Quadrant Screw	032T020
33	Rod Clamp	033 049	Rod Clamp	033 049
34	Rod Clamp Screw (2 req.)	034 030T	Rod Clamp Screw (2 req.)	034 030T
34C	Rod Clamp Screw w/Nut	034C030T	Rod Clamp Screw w/Nut	034C030T
35	Click Tongue	035 050N	Click Tongue	035 050N
36	Click Button	036N050	Click Button	036N050
36A	Click Button Nut	036 700	Click Button Nut	036 700
36S	Click Button Cap	036S080ST	Click Button Cap	036S080ST
38	Coupling Plate Screw (3 req.)	038N007	Coupling Plate Screw (3 req.)	038N007
38A	Frame Screw (2 req.)	038T050	Frame Screw (2 req.)	038T050
38B	Long Quadrant Screw	038T080	Long Quadrant Screw	038T080
38C	Click Bushing Nut	038 710	Click Bushing Nut	038 710
39A	Bridge Cover Screw (3 req.)	039A 080S	Bridge Cover Screw (3 req.)	039A 080S
41	L.S. Bearing Spring	041 050	L.S. Bearing Spring	041 050
*	Cam Housing Screw (2 req.)	046A704	Cam Housing Screw (2 req.)	046A704
54	Harness Lug (2 req.)	054 030T	Harness Lug (2 req.)	054 030T
55	Left-Side Bearing	055 080	Left-Side Bearing	055 080
59	Slotted Washer	059 050	Slotted Washer	059 050
60	Backing Washer	060 050	Backing Washer	060 050
62	Click Spring	062 050	Click Spring	062 050
63	Stand Screw (4 req.)	063 030T	Stand Screw (4 req.)	063 030T
63B	Long Screw	063 050	Long Screw	063 050
63C	Screw	063A050	Screw	063A050
81	Ratchet	081 050	Ratchet	081 050
91	Handle Rivet	091N050	Handle Rivet	091N050
95	Click Tongue Bushing	095 050	Click Tongue Bushing	095 050
95A	Click Bushing Washer	095A020	Click Bushing Washer	095A020
95C	Click Bushing Washer	095A050	Click Bushing Washer	095A050
98	Bridge Bushing	098 030TN	Bridge Bushing	098 030TN
101	Drive Plate Screw (8 req.)	101 030	Drive Plate Screw (8 req.)	101 030
110	Handle Lock Screw	110 050	Handle Lock Screw	110 050
110A	Handle Locking Plate	110A050	Handle Locking Plate	110A050
112	Eccentric Lever Knob	112 050	Eccentric Lever Knob	112 050
112A	Eccentric Lever Screw	112A050	Eccentric Lever Screw	112A050
113	Eccentric Lever Cap	113 050	Eccentric Lever Cap	113 050
117	Drive Plate w/Drum Washer	117D030	Drive Plate w/Drum Washer	117D030
119	Coupling Plate	119 050	Coupling Plate	119 050
124	Bridge Cover	124 030	Bridge Cover	124 030
*	Cam Housing	125 030	Cam Housing	125 030
134	Gear Stud	134 050	Gear Stud	134 050
134A	Gear Stud Washer	134A050	Gear Stud Washer	134A050
141	Cam Follower	141 030	Cam Follower	141 030
142	Follower Pin (2 req.)	142 050	Follower Pin (2 req.)	142 050
143	Adjusting Screw	143 030	Adjusting Screw	143 030
144	Preset Knob	144 050	Preset Knob	144 050
152A	Rod Clamp Acorn Nut (2 req.)	152A030T	Rod Clamp Acorn Nut (2 req.)	152A030T
156	Drag Cover	156 030	Drag Cover	156 030
157	Quadrant Spacer Bushing (2 req.)	157 050	Quadrant Spacer Bushing (2 req.)	157 050
161	Locating Pin Assembly (2 req.)	161C070	Locating Pin Assembly (2 req.)	161C070
183	Tube Frame	183 020T	Tube Frame	183 020T
264	Stand Gasket	264 030T	Stand Gasket	264 030T

KEY NO.	DESCRIPTION	PART NO.
1	R.S. Plate Assembly	001 020TN
2	Quadrant Ring	002 030
4	Cam Thrust Washer	004 030
5	Main Gear High Speed	005 050
6	Preset Spacer Washer	006 155
7	Metal Drag Washer	007 030
9	Spacing Sleeve	009 030
13	Pinion Gear	013 020
14	Dog Spring (2 req.)	014 050
15	Dog (2 req.)	015 050
18	Disc Clutch Spring (4 req.)	018 030
19	Eccentric Cam	019 020
20	Ball Bearing (3 req.)	020 704
21	Eccentric Lever	021 030
22	Dog Spring Screw (2 req.)	022 109
23	Handle Screw	023 114

*Not Shown