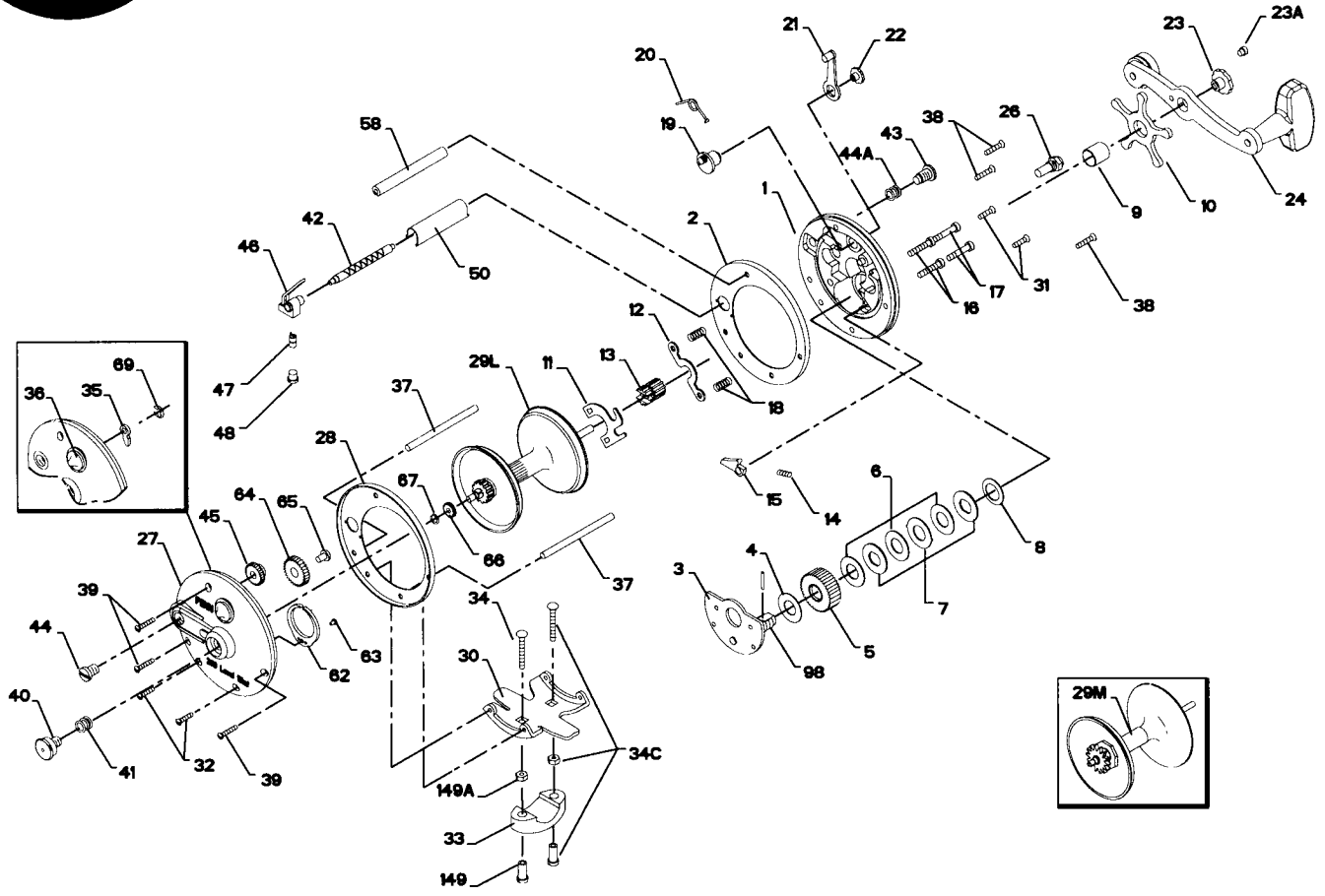




PARTS LIST FOR MODELS 209 AND 309



KEY NO.	DESCRIPTION	PART NO.
1	R. S. Plate	1-209
	R. S. Plate	1-309
2	R. S. Ring	2-209
	R. S. Ring	2-309
3	Bridge w/Sleeve (209)	3-155
	Bridge w/Sleeve (309)	3-309
4	Fiber Washer (209)	4-155
	Fiber Washer (309)	4-60
5	Main Gear (209)	5-155
	Main Gear (309)	5-500
6	Drag Washer (209)	6-155
	Drag Washer (309)	6-309
7	Drag Washer (Metal Set) (209)	7C-155
	Drag Washer (Metal Set) (309)	7C-500
8	Tension Washer	8-60
9	Spacing Sleeve	9-60
10	Star Drag (209)	10-60
	Star Drag (309)	10-49
11	Eccentric Jack (209)	11-155
	Eccentric Jack (309)	11-60
12	Pinion Yoke (209)	12-155
	Pinion Yoke (309)	12-60
13	Pinion Gear (209)	13-155
	Pinion Gear (309)	13-60
14	Dog Spring	14-99
15	Dog	15-209
	Dog	15-309
16	Lower Bridge Screw (2 req.)	16-60
17	Upper Bridge Screw (2 req.)	17-60
18	Clutch Spring	18-60
19	Eccentric (209)	19-209
	Eccentric (309)	19-309
20	Eccentric Spring (209)	20-155
	Eccentric Spring (309)	20-60
21	Eccentric Lever (209)	21-209
	Eccentric Lever (309)	21-309
22	Eccentric Screw	22-60
23	Handle Screw	23-60
23A	Handle Lock Screw	110-60
24	Handle (209)	24-310
	Handle (309)	24-66
26	R. S. Bearing (209)	26-310
	R. S. Bearing (309)	26-60
27	L.S. Plate	27-209
	L.S. Plate	27-309

KEY NO.	DESCRIPTION	PART NO.
28	R.S. Ring	29-209
	L.S. Ring	28-309
29L	Spool Aluminum (209)	29L-209
29M	Spool Metal	29M-309
30	Stand	30-66
31	R.S. Stand Screw (209) (2 req.)	32-22
	R.S. Stand Screw (309) (2 req.)	32-16
32	L.S. Stand Screw (209) (2 req.)	32-22
	L.S. Stand Screw (309) (2 req.)	32-16
33	Rod Clamp	33-113
	Ringed Rod Clamp (Optional)	*33R-200
34	Clamp Screw (Only)	34-45
34C	Clamp Screw w/Nuts	34C-45
35	Click Tongue (209)	35-155
	Click Tongue (309)	35-60
36	Click Button	36N-209
37	Frame Post (209) (2 req.)	37-160
	Frame Post (309) (3 req.)	37-65
38	R.S. Post Screw (3 req.)	38-8
	L.S. Post Screw (3 req.)	38-8
40	L.S. Bearing	40-60
41	R.S. Worm Bearing	41-60
42	Worm	42-209
43	R.S. Worm Bearing	43-109
44	L.S. Worm Bearing	44N-109
44A	Worm Bearing Spring	57-109
45	Worm Gear	45N-209
46	Line Guide	46-209
	Line Guide	46-309
47	Pawl	47-109
48	Pawl Cover	48-109
50	Worm Shield	50-209
58	Slotted Post	58-209
62	Click Spring	62M-209
	Click Spring	62M-309
63	Click Spring Screw	63-2.5FR
64	Idler Gear	64-209
	Idler Gear	64-309
65	Idler Gear Screw	65-209
66	Level Wind Drive Gear	66-209
67	Drive Gear Lock Spring	67-209
69	Click Button Retaining Spring	69B-600
98	Gear Sleeve (209)	98-155
	Gear Sleeve (309)	98-60
149	Clamp Nut (2 req.)	149-45
149A	Hex Nut (2 req.)	149-200

*Not Shown