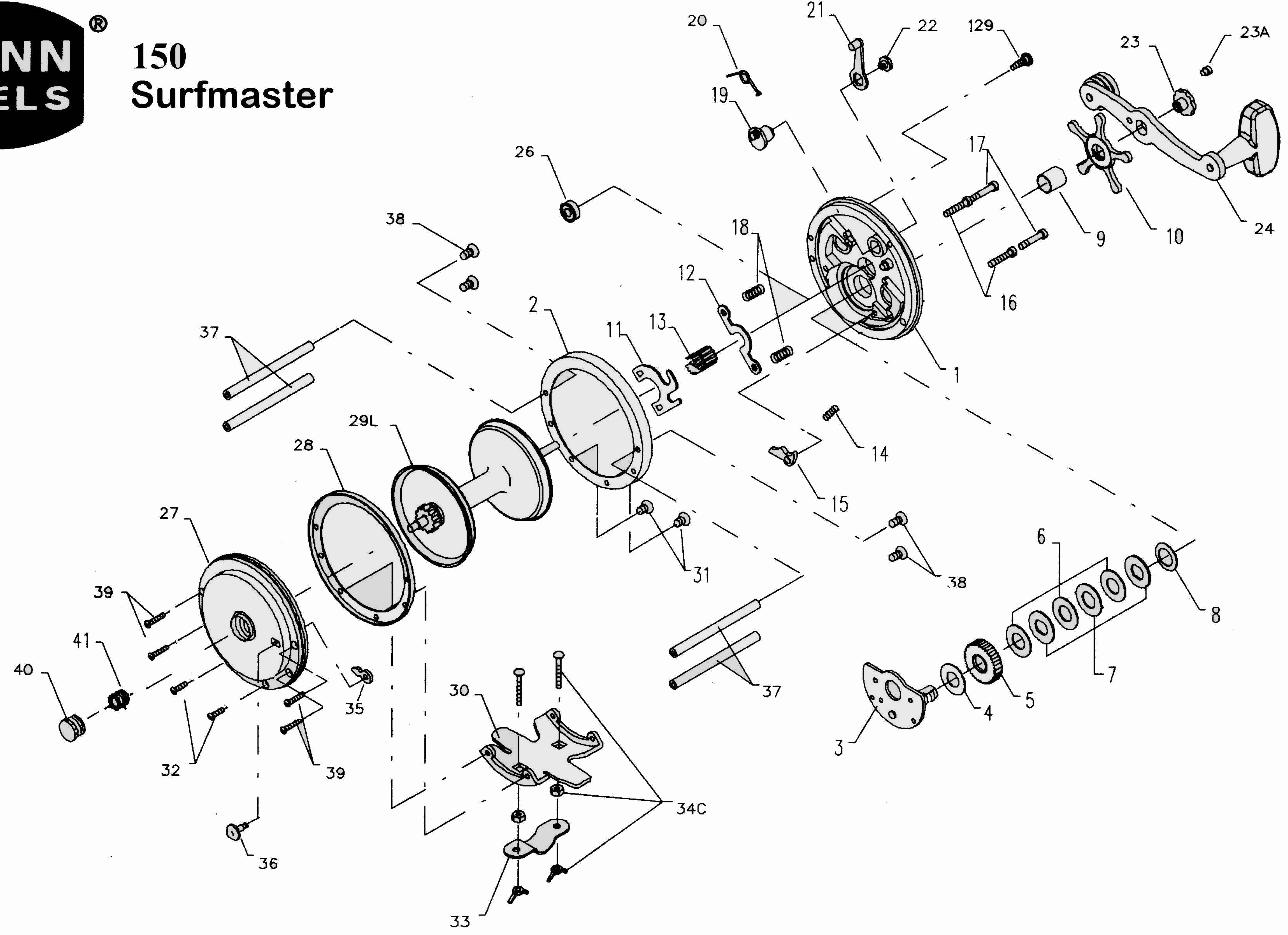




150 Surfmaster



Penn Reel Parts list for:

Model: 150

Surfmaster

KEY NO	PART NO.	DESCRIPTION	KEY NO	PART NO.	DESCRIPTION
1	1N-150	R.S. PLATE	23	23-60	HANDLE SCREW
2	2-200	INNER R.S. RING	23A	110-60	HANDLE LOCK SCREW
3	3-200	BRIDGE W/ SLEEVE	24	24-155	COMPLETE HANDLE
4	4-155	FIBER WASHER	26	26-155	R.S. BEARING
5	5-60	MAIN GEAR	27	27-200	L.S. PLATE w/riveted clickspring
6	6-60	DRAG WASHER	28	2-155	INNER L.S. RING
7	7C-60	METAL DISC SET	29	29L-150	ALUMINUM SPOOL
8	8-60	TENSION SPRING	29M	29M-150	METAL SPOOL
9	9-60490	SPACING SLEEVE	30	30-66	STAND
10	10-60	STAR DRAG	31	31-19	R.S. STAND SCREW
11	11-200	ECCENTRIC JACK	32	32-16CH	L.S. STAND SCREW
12	12-155	PINION YOKE	33	33-200	ROD CLAMP
13	13-200	PINION	34C	34C-200	CLAMP SCREW w/hex and wing nut
14	14-155	DOG SPRING	35	35-155	CLICK TONGUE
15	15-200	DOG	36	36-155CH	CLICK BUTTON
16	16-60CH	LOWER BRIDGE SCREW	37	37-160	POST FRAME
17	17-70CH	UPPER BRIDGE SCREW	38	38-7	R.S. POST SCREW
18	18-60	CLUTCH SPRING	39	39-5	L.S. POST SCREW
19	19-200	ECCENTRIC	40	40-60	L.S. BEARING
20	20-155	ECCENTRIC SPRING	41	41-60	SPRING
21	21-200	ECCENTRIC LEVER			
22	22-99	ECCENTRIC SCREW			