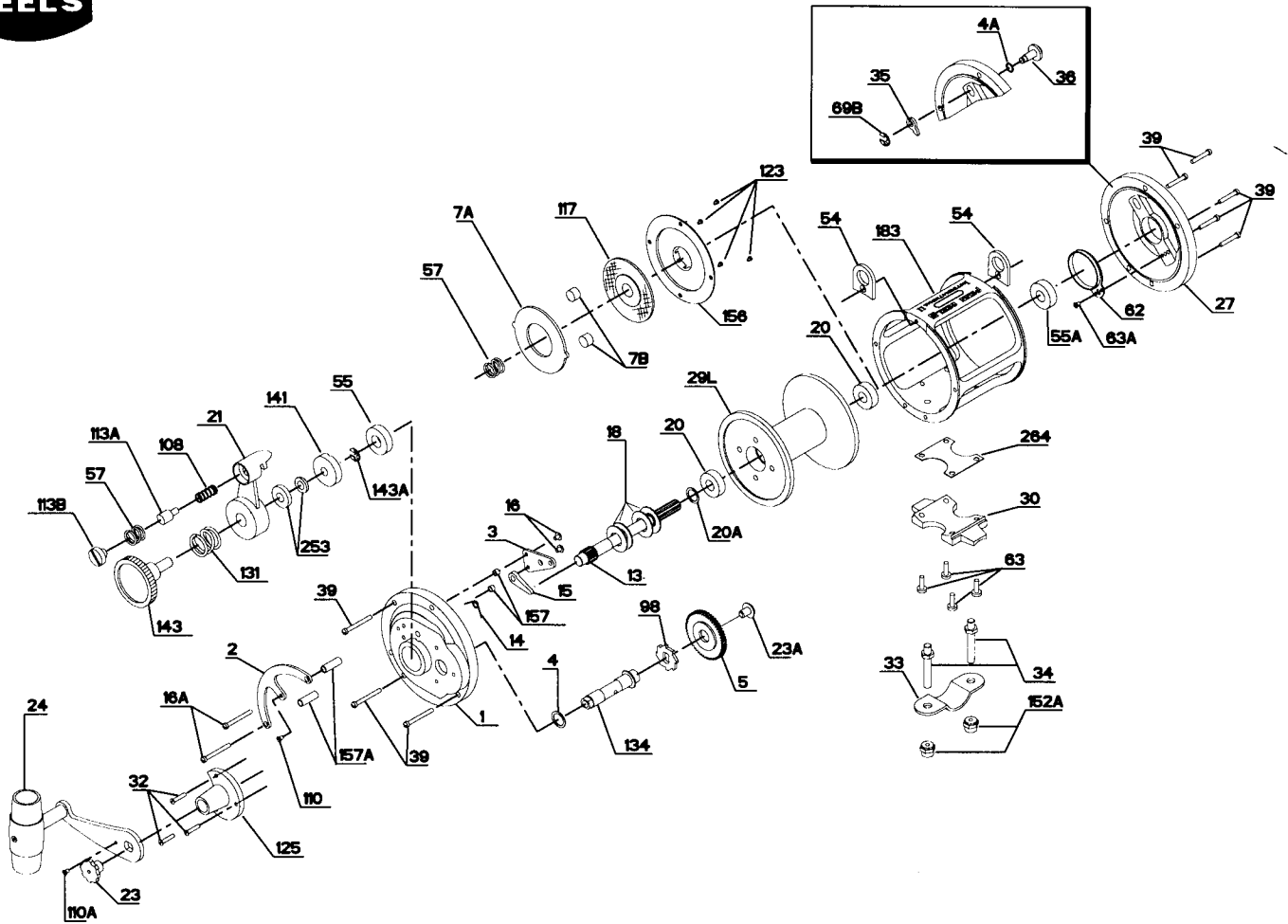




PARTS LIST FOR MODEL 12T



KEY NO.	DESCRIPTION	PART NO.	KEY NO.	DESCRIPTION	PART NO.
1	Right Side Plate Assembly	1-12T	54	Harness Lugs (2 req.)	54-113
2	Quadrant Ring	2-6	55	Ball Bearing	55-6
3	Ratchet Dog Bridge	3-6	55A	L.S. Plate Bearing	55-12H
4	Gear Stud Washer	4-12	57	Spring (2 req.)	57-109
4A	Click Button Washers (2 req.)	4-12H	62	Click Spring	62-25
5	Main Gear	5-12H	63	Stand Screws (4 req.)	63-30T
7A	Metal Ear Drag Washer	7A-6	63A	Click Spring Screw	63-209
7B	Pressure Plugs (2 req.)	7B-12H	69B	Click Button Retaining Ring	69B-600
13	Pinion Gear	13-12H	98	Gear Ratchet	98-6
14	Dog Spring	14-6	108	Drag Lever Button Spring	108-140
15	Dog	15-6	110	Center Quadrant Screw	110-60
16	Bridge Screws (2 req.)	16-6	110A	Handle Lock Screw	110-60
16A	Quadrant Screws (2 req.)	16-9	113A	Drag Lever Button	113A-6
18	Disc Clutch Springs (2 req.)	18-12T	113B	Drag Lever Screw	113B-6
20	Spool Bearings (2 req.)	20-722	117	Drive Plate Assembly	117-12T
20A	Thrust Washer	20A-12H	123	Drag Cover Screws (4 req.)	16-910
21	Eccentric Lever	21-6	125	Gear Stud Housing	125-6
23	Handle Screw	23-60	131	Preset Knob Spring	131-6
23A	Gear Screw	23-6CH	134	Gear Stud	134-12H
24	Handle Complete	24-12H	141	Cam Follower	141-6
27	Left Side Plate Assembly	27-12TN	143	Preset Knob	143-6
29L	Spool	29L-12LT	143A	Preset Knob Retaining Ring	143A-6
30	Stand	30-12T	152A	Rod Clamp Acorn Nut (2 req.)	152A-30T
32	Gear Stud Housing Screws (3 req.)	32-14	156	Drag Cover	156-12LT
33	Rod Clamp	33-200	157	Bridge Spacer Bushings (2 req.)	157-12
	Ringed Rod Clamp (Optional)	*33R-200	157A	Quadrant Spacer Bushings (2 req.)	157-12T
34	Rod Clamp Screws (2 req.)	34-30T	183	Tube Frame	183-12T
35	Click Tongue	35-320	253	Thrust Bearing	253-12
36	Click Button	36-12LT	264	Stand Gasket	264-12T
39	Frame Screws (8 req.)	39-5			

\*Not Shown