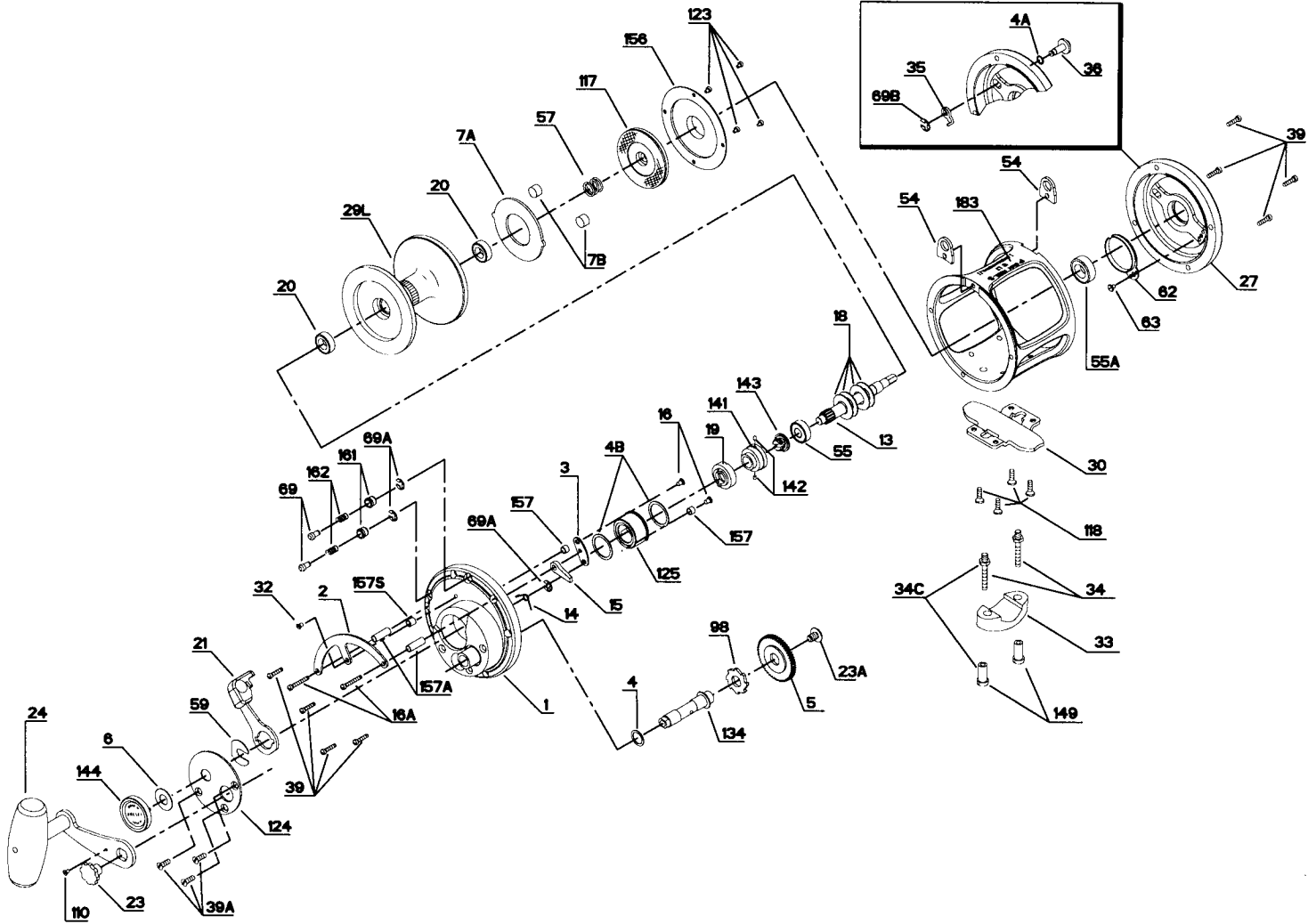




PARTS LIST FOR MODEL 12LT



KEY NO.	DESCRIPTION	PART NO.	KEY NO.	DESCRIPTION	PART NO.
1	Right Side Plate Assembly	1-12LT	39A	Bridge Cover Screws (3 req.)	39A-80S
2	Quadrant Ring	2-6	54	Harness Lugs (2 req.)	54-113
3	Ratchet Dog Bridge	3-12LT	55	Ball Bearing	55-6
4	Gear Stud Washer	4-12	55A	L.S. Plate Bearing	55-12H
4A	Click Button Washers	4-12H	57	L.S. Bearing Spring	57-109
4B	Cam Thrust Washers (2 req.)	4-12LT	59	Slotted Washer	59-50
5	Main Gear	5-12H	62	Click Spring	62-25
6	Spacer Washer	6-155	63	Click Spring Screw	63-209
7A	Metal Ear Drag Washer	7A-6	69	Locating Pin (2 req.)	69-12LT
7B	Pressure Plugs (2 req.)	7B-12H	69A	Retaining Pin (3 req.)	69B-50
13	Pinion Gear	13-12H	69B	Click Button Retaining Ring	69B-600
14	Dog Spring	14-6	98	Gear Ratchet	98-6
15	Dog	15-149	110	Handle Lock Screw	110-60
16	Bridge Screws (2 req.)	16-6	117	Drive Plate Assembly	117-12T
16A	Quadrant Long Screws (2 req.)	16-9	118	Stand Screw (4 req.)	118-80
18	Disc Clutch Springs (4 req.)	18-12T	123	Drag Cover Screws (4 req.)	16-910
19	Eccentric Cam	19-12LT	124	Bridge Cover	124-12LT
20	Spool Bearings (2 req.)	20-722	125	Cam Housing	125-12LT
21	Eccentric Lever	21-12LT	134	Gear Stud	134-12H
23	Handle Screw	23-60	141	Cam Follower	141-12LT
23A	Gear Screw	23-6CH	142	Cam Follower Pin (2 req.)	142-12LT
24	Handle Complete	24-12LT	143	Adjusting Screw	143-12LT
27	Left Side Plate Assembly	27-12LT	144	Preset Knob	144-16S
29L	Spool	29L-12LT	149	Rod Clamp Nut (2 req.)	149-45
30	Stand	30-12LT	156	Drag Cover	156-12LT
32	Quadrant Short Screw	32-310	157	Bridge Spacer Bushings (2 req.)	157-12
33	Rod Clamp	33-113	157A	Quadrant Spacer Bushings (2 req.)	157-12T
34	Rod Clamp Screws (2 req.)	34-114HLW	157S	Quadrant Spacer Bushings (2 req.)	157S-12T
35	Click Tongue	35-320	161	Locating Pin Bushing (2 req.)	161-12LT
36	Click Button	36-12LT	162	Locating Pin Spring (2 req.)	162-12LT
39	Frame Screws (8 req.)	39-5	183	Tube Frame	183-12LT