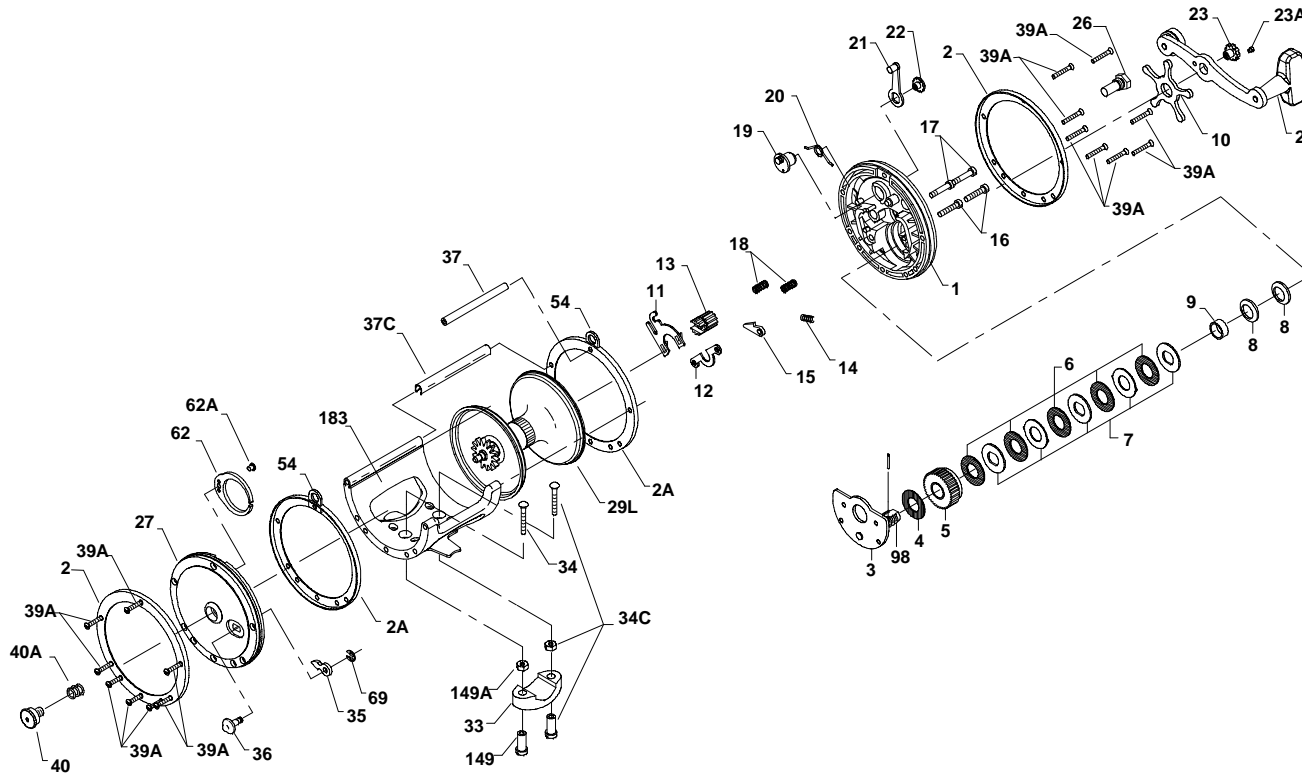




PARTS LIST FOR MODEL 113LH



KEY
NO.

DESCRIPTION

| NO. | DESCRIPTION | |
|------|-----------------------------|-----------|
| 1 | Right Side Plate | 001 113 |
| 2 | Outer Ring (2 req.) | 002 113O |
| 2A | Inner Ring (2 req.) | 002 113I |
| 3 | Bridge w/Sleeve | 003 113 |
| 4 | Fiber Washer | 004 060 |
| 5 | Main Gear | 005 066LH |
| 6 | Drag Washer (3 req.) | 006 113 |
| 7 | Metal Drag Washer Set | 007C060 |
| 8 | Tension Spring (2 req.) | 008 060 |
| 9 | Spacing Sleeve | 009 066 |
| 10 | Star Drag Wheel | 010 066LH |
| 11 | Eccentric Jack | 011 113 |
| 12 | Pinion Yoke | 012 113 |
| 13 | Pinion | 013 113LH |
| 14 | Dog Spring | 014 099 |
| 15 | Dog | 015 099 |
| 16 | Lower Bridge Screw (2 req.) | 016 060CH |
| 17 | Upper Bridge Screw (2 req.) | 017 060CH |
| 18 | Clutch Spring (2 req.) | 018 060 |
| 19 | Eccentric | 019 113 |
| 20 | Eccentric Spring | 020 155 |
| 21 | Eccentric Lever | 021 066 |
| 22 | Eccentric Screw | 022 099 |
| 23 | Handle Screw | 023 060 |
| 23A | Handle Lock Screw | 110 060 |
| 24 | Handle | 024 066 |
| 26 | R.S. Bearing | 026 060 |
| 27 | Left Side Plate | 027 113 |
| 29L | Spool | 029L113 |
| 33 | Rod Clamp | 033 113 |
| * | Ringed Rod Clamp (Optional) | *033R200 |
| 34 | Clamp Screw (2 req.) | 034 045 |
| 34C | Rod Clamp Screw w/Nuts | 034C045 |
| 35 | Click Tongue | 035 060 |
| 36 | Click Button | 036 113 |
| 37 | Frame Post | 037 113 |
| 37C | Frame Post Cover | 050 113HL |
| 39A | Frame Post Screw (16 req.) | 039 009 |
| 40 | L.S. Bearing | 040 060 |
| 40A | L.S. Bearing Spring | 041 060 |
| 54 | Harness Lug (2 req.) | 054 113 |
| 62 | Click Spring | 062 309 |
| 62A | Click Spring Screw | 063 209 |
| 69 | Retaining Ring | 069B600 |
| 98 | Gear Sleeve | 098 060LH |
| 149 | Rod Clamp Nut (2 req.) | 149 045 |
| 149A | Hex Nut (2 req.) | 149 200 |
| 183 | Frame w/Stand | 183 113HT |