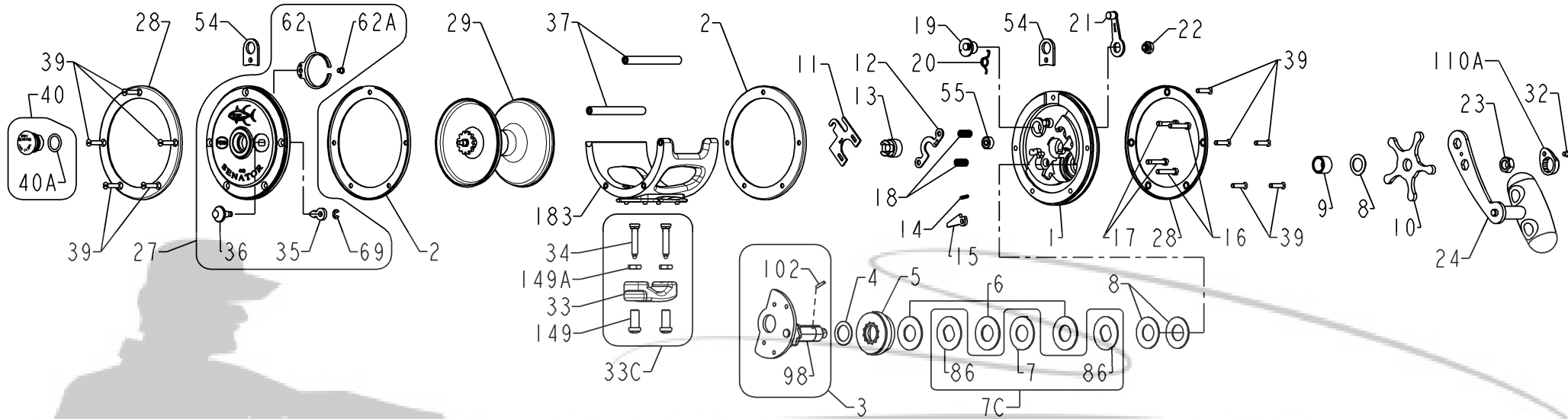


PENN PARTS LIST FOR MODEL 113L2



KEY NO.	DESCRIPTION	PART NO.
1	1-113L2 Right Side Plate	1197482
2	2-113H2I Inner Ring (2 req)	1197488
3	3-113L2 Bridge Assembly	1197498
4	4-60 Fiber Washer	1180755
5	5-66 Main Gear	1180828
6	6-113 Drag Washer (3 req)	1180908
7	7-60 Metal Ear Drag Washer	1181007
7C	7C-60 Metal Drag Washer Set	1181041
8	8-60 Spring Washer (3 req)	1181056
9	9-66 Spacing Sleeve	1181148
10	10-113L2 Star Drag Wheel	1197511
11	11-113 Eccentric Jack	1181233
12	12-113 Pinion Yoke	1181260
13	13-113 Pinion	1181316
14	14-99 Dog Spring	1181393
15	15-99 Dog	1181427
16	16-60CH Lower Bridge Screw (2 req)	1181565
17	17-60CH Upper Bridge Screw (2 req)	1181594
18	18-60 Yoke Spring (2 req)	1181615
19	19-113 Eccentric	1181662
20	20-113H2 Eccentric Spring	1288917
21	21-66 Eccentric Lever	1181835
22	22-112H2 Eccentric Screw	1197513
23	23-555 Handle Nut	1181950
24	24-113L2 Handle Assembly	1197518

KEY NO.	DESCRIPTION	PART NO.
27	27-113L2 Left Side Plate Assembly	1197522
28	28-113H2 Outer Ring (2 req)	1197527
29	29-113H2 Spool	1191514
32	32-15 Handle Nut Cap Screw	1182708
33	33-113 Rod Clamp	1182754
33C	33C-112H2 Rod Clamp Kit	1197533
*	*33R-200 Ringed Rod Clamp (Opt.)	*1182783
34	34-16VS Clamp Screw (2 req.)	1182786
35	35-60 Click Tongue	1182901
36	36-113 Click Button	1182989
37	37-113 Frame Post (2 req)	1183066
39	39-112H Side Plate Screw (10 req)	1197540
40	40N-113HL L.S. Bearing Cup Asm	1197542
40A	120-113H Bearing Cup O-Ring	1184522
54	54-113 Harness Lug (2 req)	1183856
55	55-113H R.S. Bearing	1183880
62	62-309 Click Spring	1184028
62A	63-209 Click Spring Screw	1184048
69	69B-600 Click Retaining Ring	1184129
86	86-60 Metal Keyed Drag Washer (2 req)	1184252
98	98-112H Gear Sleeve	1198890
102	102-60 Gear Sleeve Pin	1184408
110A	110A-555 Handle Nut Cap	1184442
149	149-45 Rod Clamp Nut (2 req)	1184702
149A	149-200 Hex Nut (2 req)	1184706
183	183-113L2 Frame Assembly	1198900

* Not Shown