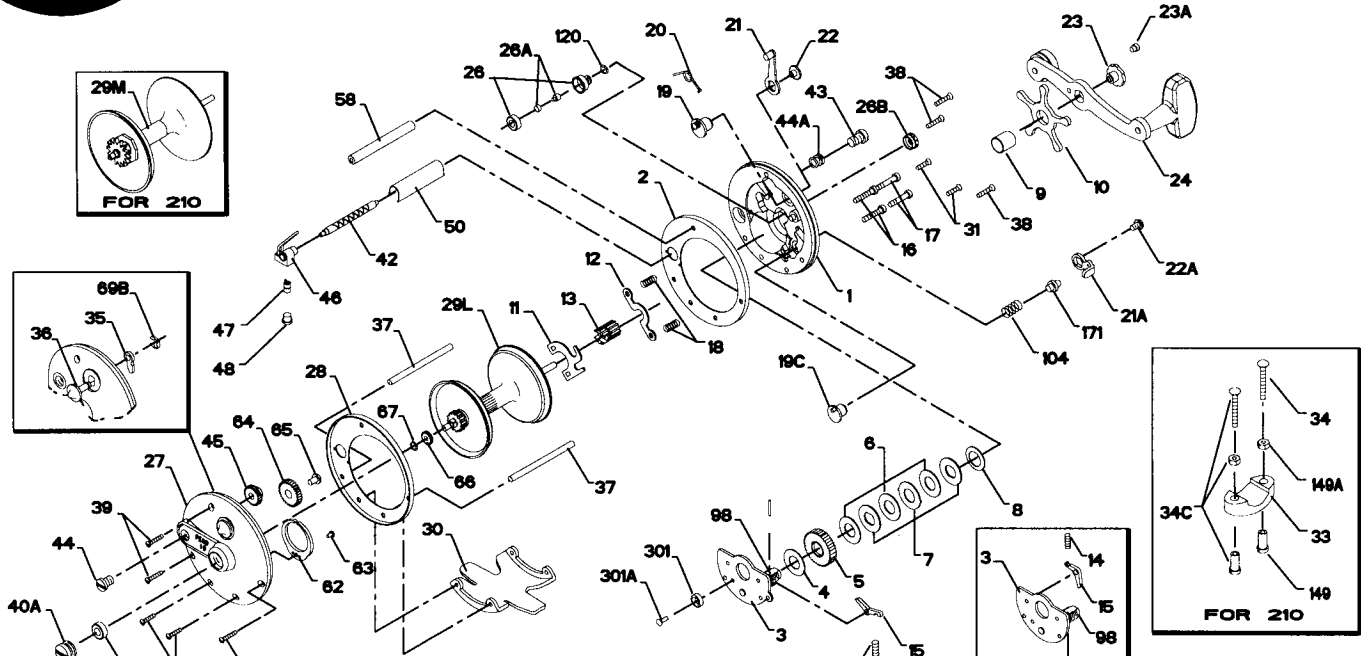




PARTS LIST FOR MODELS 10 AND 210



KEY NO.

DESCRIPTION

PART NO.

KEY NO.

DESCRIPTION

PART NO.

1	R.S. Plate	1-10
2	R.S. Plate	1-210
3	R.S. Ring	2-10
4	Bridge w/Sleeve	2-210
5	Bridge w/Sleeve	3-10
6	Fiber Washer (10)	3-210
7	Fiber Washer (210)	4-155
8	Main Gear	4-60
9	Main Gear (210)	5-10
10	Drag Washer (10)	5-500
11	Drag Washer (210)	6-60
12	Drag Washer Metal (Set) (10)	6-309
13	Drag Washer Metal (Set) (210)	7C-60
14	Tension Spring	7C-500
15	Spacing Sleeve	8-60
16	Star Drag (10)	9-60
17	Star Drag (210)	10-60
18	Eccentric Jack (10)	10-505
19	Eccentric Jack (210)	11-9
20	Pinion Yoke (10)	11-155
21	Pinion Yoke (210)	12-9
22	Pinion Gear (10)	12-155
23	Pinion Gear (210)	13-10
24	Dog Spring (210)	13-140
25	Dog Spring	14-500
26	Dog	14-10
27	Dog	15-10
28	Dog	15-210
29	Lower Bridge Screw (10) (2 req.)	16-9
30	Lower Bridge Screw (210) (2 req.)	16-60
31	Upper Bridge Screw (9)	17-9
32	Upper Bridge Screw (210) (2 req.)	17-60
33	Clutch Spring (10)	18-9
34	Clutch Spring (210)	18-60
35	Eccentric (10)	19-9
36	Eccentric (210)	19-209
37	Direct Drive Eccentric (10)	19-10
38	Eccentric Spring (10)	20-109
39	Eccentric Spring (210)	20-155
40	Eccentric Lever (10)	21-109
41	Eccentric Lever (210)	21-285
42	Direct Drive Lever (10)	21-10
43	Eccentric Screw (10)	22-109
44	Eccentric Screw (210)	22-60
45	Direct Drive Lever Screw (10)	22-109
46	Handle Screw	23-60
47	Handle Lock Screw	110-60
48	Handle (10)	24-155
49	Handle (210)	24-66
50	R.S. Bearing (10)	26-10
51	R.S. Bearing (210)	26-113H
52	Pressure Plug (10)	40A-910
53	R.S. Bearing Cap (10)	26B-910
54	L.S. Plate Assembly	27-10
55	L.S. Plate Assembly	27-210
56	L.S. Ring	28-10
57	L.S. Ring	28-209
58	Spool (Aluminum)	29L-10
59	Spool (Aluminum)	29L-210

29M	Spool Metal	29M-210
30	Stand	30-10
31	Stand (210)	30-66
32	R.S. Stand Screw (2 req.)	31-10
33	R.S. Stand Screw (2 req.)	31-210
34	L.S. Stand Screw (10) (2 req.)	32-2
35	L.S. Stand Screw (210) (2 req.)	32-22
36	Rod Clamp (210)	33-113
37	Ringed Rod Clamp (Optional) (210)	*33R-200
38	Rod Clamp Screw (210)	34-45
39	Rod Clamp Screw w/Nuts	34C-45
40	Click Tongue	35-155
41	Click Button (10)	36-60
42	Click Button (210)	36N-209
43	Frame Post (10) (2 req.)	37-10
44	Frame Post (210) (2 req.)	37-160
45	R.S. Post Screw (3 req.)	38-10
46	R.S. Post Screw (210)	39-6
47	L.S. Post Screw (10) (3 req.)	39-1
48	L.S. Post Screw (210)	38-8
49	L.S. Bearing	40-10
50	L.S. Bearing Cap w/Bearing (210)	40A-210
51	Worm (10)	42-109
52	Worm (210)	42-209
53	R.S. Worm Bearing (10)	43-9
54	R.S. Worm Bearing (210)	44N-109
55	L.S. Worm Bearing (10)	43-109
56	L.S. Worm Bearing (210)	43-109
57	R.S. Worm Bearing Spring (210)	43-109
58	Worm Gear (10)	45-9
59	Worm Gear (210)	45-209
60	Line Guide (10)	46-9
61	Line Guide (210)	46-209
62	Pawl	47-109
63	Pawl Cover	48-109
64	Worm Shield (10)	50-109
65	Worm Shield (210)	50-209
66	Spool Bearing (10 & 210)	55-113H
67	Slotted Post (10)	58-109
68	Slotted Post (210)	58-209
69	Click Spring	62M-209
70	Click Spring Screw	63-2.5FR
71	Idler Gear (10)	64-9
72	Idler Gear (210)	64-209
73	Idler Gear Screw	65-209
74	Level Wind Drive Gear (10)	66-9
75	Level Wind Drive Gear (210)	66-209
76	Drive Gear Lock Spring (10)	67-9
77	Drive Gear Lock Spring (210)	67-209
78	Click Button Retaining Spring	69B-600
79	Gear Sleeve (10)	98-155
80	Gear Sleeve (210)	98-505
81	Direct Drive Spring (10)	104-10
82	"O" Ring (10)	120-910
83	Clamp Nut	149-45
84	Hex Nut	149-200
85	Direct Drive Plunger (10)	171-140
86	Magnet (10)	301-10
87	Magnet Stud (10)	301A-10

*Not Shown