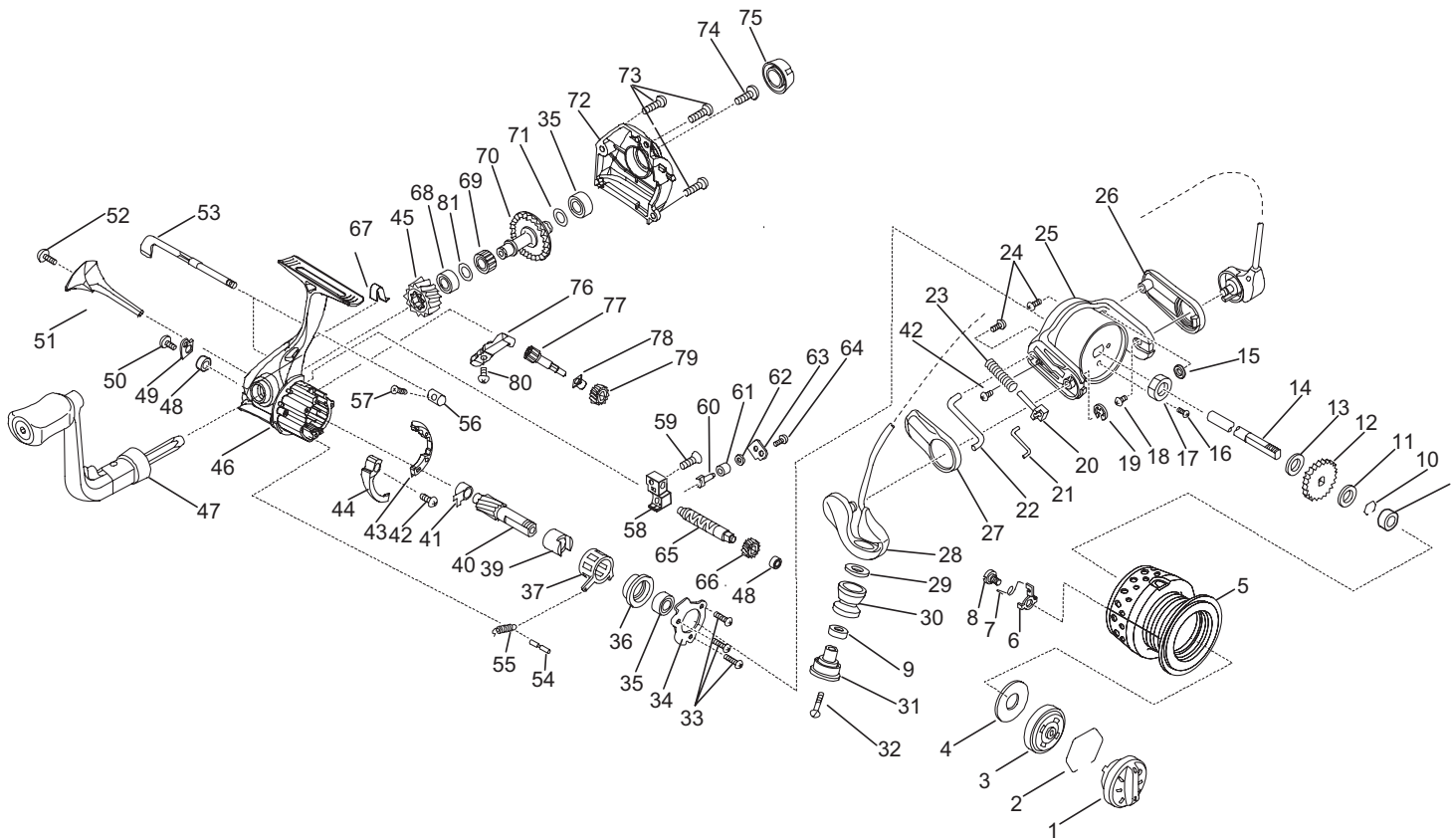




PARTS LIST FOR MODELS AF 1000 AND 2000



KEY NO.	PART NO.	DESCRIPTION
21	034C1000AF	Trip Lever Link
22	028 1000AF	Trip Lever
23	032 1000AF	Bail Spring
		Bail Spring Cover Screw (2 req.)
24	050 1000AF	Rotor
25	027 1000AF	Rotor
26	227 1000AF	Bail Cam Cover
27	027A1000AF	Bail Trip Cover
28	024 1000AF	Bail Arm Assembly
29	132 1000AF	Roller Washer
30	035 1000AF	Line Roller
31	026 1000AF	Roller Stud
32	036 1000AF	Roller Mounting Screw
33	046 1000AF	Clutch Retainer Screw (3 req.)
34	098 1000AF	Clutch Retainer
35	020 1000AF	Ball Bearing (2 req.)
36	020A1000AF	Ball Bearing Collar
37	098B1000AF	Clutch Assembly
39	098S1000AF	Roller Bearing Sleeve
40	019 1000AF	Pinion
41	019A1000AF	Pinion Guide Bushing
42	028E1000AF	Trip Cam Screw
43	028D1000AF	Friction Ring
44	028C1000AF	Trip Cam
45	081E1000AF	Outer Ring
46	001 1000AF	Housing Assembly
47	015 1000AF	Handle Assembly
48	043H1000AF	Worm Shaft Bearing (2 req.)
49	043J1000AF	Bearing Retainer
50	043K1000AF	Bearing Retainer Screw
51	226 1000AF	Rear Cap
52	226A1000AF	Rear Cap Screw
53	006E1000AF	Anti-Reverse Shaft
54	098C1000AF	Spring Anchor Pin
55	098D1000AF	One-Way Clutch Spring
56	006G1000AF	Anti-Reverse Cam
57	006F1000AF	Anti-Reverse Cam Screw
58	043 1000AF	Crosswind Block
59	043A1000AF	Crosswing Block Screw
60	043B1000AF	Crosswing Pawl
61	043C1000AF	Pawl Collar
62	043D1000AF	Pawl Washer
63	043E1000AF	Crosswind Block Plate
64	043F1000AF	Screw
65	043G1000AF	Worm Shaft
66	231 1000AF	Worm Gear
67	006D1000AF	Anti-Reverse Shaft Spring
68	020 2000AF	Ball Bearing
69	008B1000AF	Drive Gear
70	008 1000AF	Main Gear
71	008A1000AF	Thrust Washer
72	045 1000AF	Housing Cover
73	044 1000AF	Cover Screw (3 req.)
74	009A1000AF	Handle Mounting Screw
75	233 1000AF	Bearing Cover Assembly
76	081A1000AF	Idler Support
77	081B1000AF	Idler Gear Shaft
78	081C1000AF	Idler Gear Shaft Bushing
79	081 1000AF	Idler Gear
80	081D1000AF	Idler Support Screw
81	008C1000AF	Thrust Washer

KEY NO.	PART NO.	DESCRIPTION
1	052 1000AF	Drag Knob Assembly
2	051 1000AF	Drag Retaining Ring
3	051A1000AF	Click Plate Assembly
4	056 1000AF	Drag Washer (Friction)
5	047 1000AF	Spool Assembly – Complete
	047 2000AF	Spool Assembly – Complete
6	048 1000AF	Click Tongue
7	049 1000AF	Click Tongue Spring
8	022 1000AF	Spool Click Screw
9	047B1000AF	Ball Bearing (2 req.)
10	047A1000AF	Bearing Retaining Ring

KEY NO.	PART NO.	DESCRIPTION
11	060 1000AF	Thrust Washer
12	040B1000AF	Click Ratchet
13	060A1000AF	Spool Washer
14	039 1000AF	Spool Shaft
15	031B1000AF	Bail Cam Washer
16	038A1000AF	Rotor Nut Screw
17	038 1000AF	Rotor Nut
18	031A1000AF	Bail Cam Screw
19	031 1000AF	Bail Arm Retaining Ring
20	034B1000AF	Pivot Guide