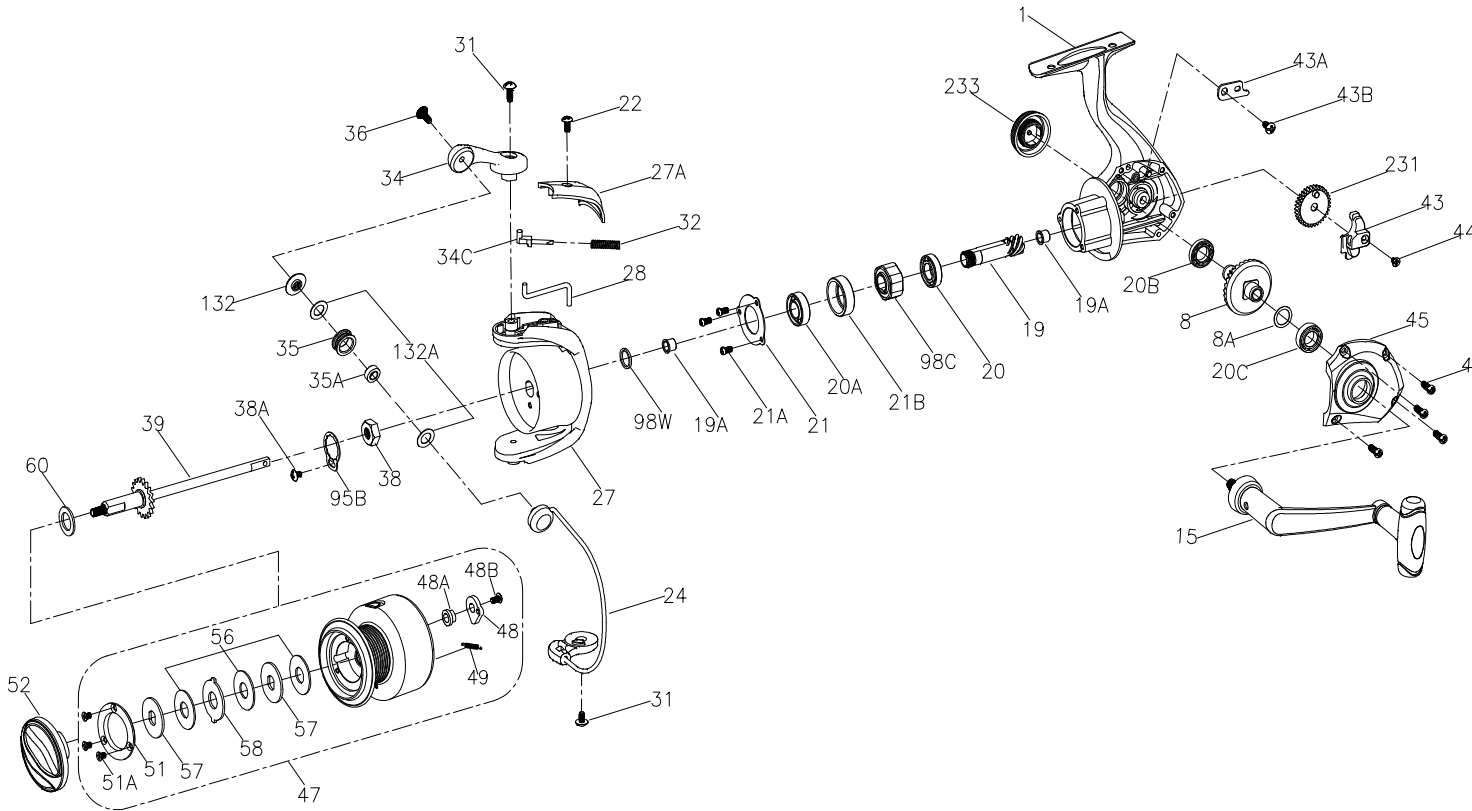




PARTS LIST FOR MODEL PURSUIT 3000/4000



KEY NO.	PART NO.	DESCRIPTION
1	1203967	1-3000PUR Housing
1	1203968	1-4000PUR Housing
8	1203969	8-3000PUR Main Gear
8A	1191028	8A-3000SG Shim
15	1203970	15-3000PUR Handle Assembly
15	1203971	15-4000PUR Handle Assembly
19	1203972	19-3000PUR Pinion
19A	1191252	19A-3000SG Pinion Bushing (2 req)
20	1192611	20-3000SG Lower Pinion Ball Bearing
20A	1203973	20A-3000PUR Upper Pinion Ball Bearing
20B	1203974	20B-3000PUR Housing Ball Bearing
20C	1203975	20C-3000PUR Housing Cover Ball Bearing
21	1203976	21-3000PUR Bearing Retainer
21A	1203977	21A-3000PUR Bearing Retainer Screw (3 req)
21B	1192648	21B-3000SG Collar
22	1203978	22-3000PUR Bail Pivot Cover Screw
24	1203979	24-3000PUR Bail Wire Assembly
24	1203980	24-4000PUR Bail Wire Assembly
27	1203981	27-3000PUR Rotor (w/weight & screw)
27	1203982	27-4000PUR Rotor (w/weight & screw)
27A	1203983	27A-3000PUR Bail Pivot Cover
27A	1203984	27A-4000PUR Bail Pivot Cover
28	1203985	28-3000PUR Trip Lever
28	1203986	28-4000PUR Trip Lever
31	1203987	31-3000PUR Bail Arm Screw (2 req)
32	1203988	32-3000PUR Bail Spring
34	1203989	34-3000PUR Bail Arm
34C	1203990	34C-3000PUR Pivot Arm
35	1203991	35-3000PUR Line Roller
35A	1203992	35A-3000PUR Line Roller Bushing
36	1203993	36-3000PUR Bail Stud Screw
38	1203994	38-3000PUR Rotor Nut
38A	1203995	38A-3000PUR Rotor Locking Plate Screw
39	1203996	39-3000PUR Spool Shaft
39	1200204	39-4000SG Spool Shaft
43	1191800	43-3000SG Crosswind Block
43	1200531	43-4000SG Crosswind Block
43A	1191818	43A-3000SG Crosswind Block Plate
43B	1203997	43B-3000PUR Crosswind Block Plate Screw
44	1191843	44-3000SG Crosswind Block Screw
45	1203998	45-3000PUR Housing Cover
46	1203999	46-3000PUR Housing Cover Screw (4 req)
47	1204000	47-3000PUR Spool Complete
47	1204001	47-4000PUR Spool Complete
48	1211604	48-3000SG Click Tongue
48A	1214226	48A-3000SG Click Tongue Washer
48B	1214189	48B-3000SG Spool Click Screw
49	1211605	49-3000SG Click Tongue Spring
51	1204002	51-3000PUR Retaining Spacer
51A	1191986	51A-3000SG Retaining Screw (3 req)
52	1204003	52-3000PUR Drag Knob Assembly
56	1192035	56-3000SG Drag Washer (3 req)
57	1192043	57-3000SG Keved Washer (2 req)
58	1192052	58-3000SG Earred Washer
60	1192060	60-3000SG Thrust Washer
95B	1192185	95B-3000SG Rotor Locking Plate
98C	1192212	98C-3000SG Clutch/Sleeve Assembly
98W	1204004	98W-3000PUR Clutch Washer
132	1192297	132-5000SG Roller Washer
132A	1192302	132A-3000SG Line Roller Washer (2 req)
231	1192498	231-3000SG Crosswind Gear
231	1200522	231-4000SG Crosswind Gear
233	1204006	233-3000PUR Bearing Cover