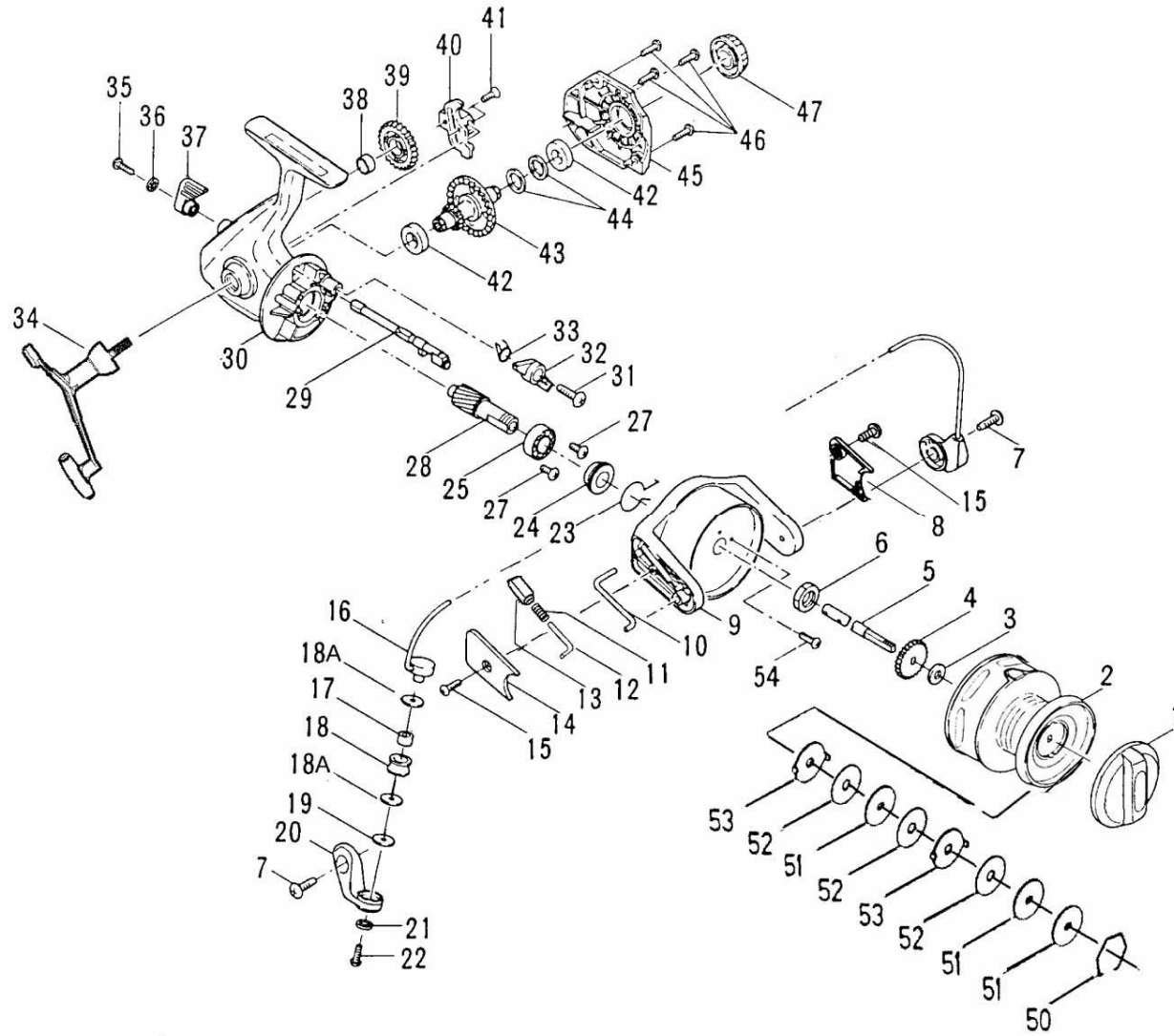




PARTS LIST FOR MODEL PG3-4000



| NO. | DESCRIPTION | PART NO. |
|-------|--------------------------------------|-----------|
| 1 | Drag Knob Asm. w/Spring | 052 3000 |
| 2 | Spool Assembly | 047 4000 |
| 3 | Thrust Washer | 060 3000 |
| 4 | Click Ratchet | 040B3000 |
| 5 | Spool Shaft | 039 4000 |
| 6 | Rotor Nut | 038 3000 |
| 7 | Arm Screws (2 req.) | 031A3000 |
| 8 | Cam Cover | 227 3000P |
| 9 | Rotor Cup | 027 4000P |
| 10 | Cam Lever | 028A3000P |
| 11 | Pivot Spring | 034C3000P |
| 12 | Pivot Shaft | 034B3000P |
| 13 | Pivot Guide | 034D1500P |
| 14 | Bail Pivot Cover | 027A4000P |
| 15 | Cover Screws (2 req.) | 022 875 |
| 16 | Bail Wire Assembly | 024 4000P |
| 17 | Line Roller Bushing | 035A3000 |
| 18 | Line Roller | 035 3000 |
| 18A | Roller Washer Teflon Washer (2 req.) | 035B1000P |
| 19 | Line Roller Washer | 132 3000 |
| 20 | Bail Arm | 034 3000P |
| 21 | Lock Washer | 036A103 |
| 22 | Bail Stud Screw | 036 1000 |
| 23 | Silent Dog Spring | 230 3000 |
| 24 | Pinion Spacer | 019A3000 |
| 25 | Ball Bearing | 020 3000 |
| 27 | Bearing Mtg. Screw (2 req.) | 022 875 |
| 28 | Pinion Gear | 019 3000 |
| 29 | Eccentric Shaft | 006A3000 |
| 30 | Housing | 001 4000P |
| 31 | Dog Mounting Screw | 003 3000 |
| 32 | Anti-Reverse Dog | 004 3000 |
| 33 | Dog Spring | 004A3000 |
| 34 | Handle Assembly | 015 3000P |
| 35 | Eccentric Lever Mtg. Screw | 006F3000 |
| 36 | Lock Washer | 036A103 |
| 37 | Eccentric Lever | 006E3000 |
| 38 | Crosswind Gear Bushing | 231A3000 |
| 39 | Crosswind Gear | 231 3000 |
| 40 | Crosswind Gear Block | 043 3000 |
| 41 | Screw | 044 1500 |
| 42 | Cover & Housing Bearings (2 req.) | 002B3000 |
| 43 | Main Gear | 008 3000P |
| 44 | Main Gear Shim | 008A3000 |
| 45 | Housing Cover | 045 4000P |
| 46 | Cover Screws (4 req.) | 046 1000 |
| 47 | Bearing Cover | 233 3000 |
| 48** | Spool Click Tongue | 048 1000P |
| 48A** | Click Tongue Screw | 049 103CS |
| 49** | Click Tongue Spring | 022 103CS |
| 50 | Drag Retaining Ring | 051 3000 |
| 51 | Keyed Drag Washers (3 req.) | 057 3000 |
| 52 | Teflon Drag Washers (3 req.) | 006 3000 |
| 53 | Ear Drag Washers (2 req.) | 058 3000 |
| 54 | Rotor Nut Locking Screw | 305 875 |

**Not Shown