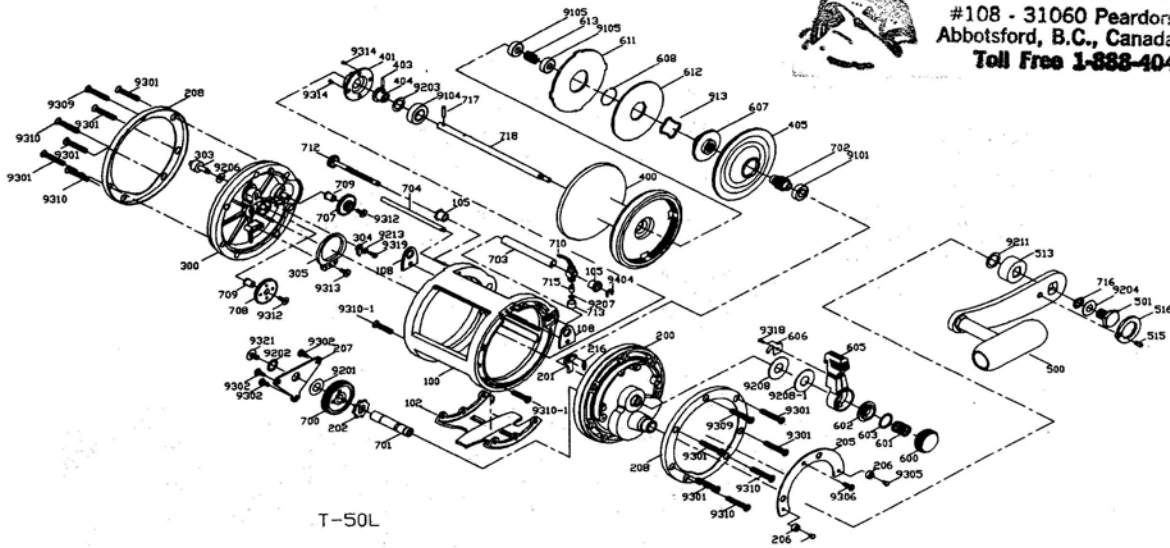




MIKE'S REEL REPAIR
 #108 - 31060 Peardonville Road
 Abbotsford, B.C., Canada V2T 6K5
 Toll Free 1-888-404-1119



T-50L

T-50L SPARE PARTS LIST

X-MEANS PAINT OR INJ.

S-MEANS SERIES NUMBER

| KEYNO | PARTSNO | PARTNAME | KEYNO | PARTSNO | PARTNAME |
|-------|-----------------|-------------------------|--------|-----------------|-------------------------------|
| 100 | 11100008101831A | BODY | 703 | 11703003-06 | LEVEL WORM GUARD |
| 102 | 11102002-06907 | BODY FOOT | 704 | 11704003-03907 | WORM GUIDE SUPPORT BAR |
| 105 | 11105002-01 | LINE GUARD BUSHING | 707 | 11707002-01 | TRANSMISSION GEAR |
| 108 | 11108002-067 | HANGER | 708 | 11708002-01 | TRANSMISSION GEAR |
| 200 | 1120001101831 | RIGHT SIDE PLATE ASSY. | 709 | 11709001-03 | TRANSMISSION GEAR BUSHING |
| 201 | 11201002-05 | ANTI-RE PAWL | 710 | 11710004106 | LINE GUIDIE ASSY. |
| 202 | 11202002-06 | RATCHET | 712 | 11712004103907 | WORM SHAFT ASSY. |
| 205 | 11205002-061 | DECORATION PLATE | 713 | 11713001-03907 | PAWL CAP |
| 206 | 11206001-03001 | LEVER DRAG STOPPER CAP | 715 | 11715002-06 | LINE GUIDE PAWL |
| 207 | 11207001-06907 | HOLD PLATE | 716 | 11716002-07 | OIL SEAL |
| 208 | 11208001-06002 | SIDE PLATE COVERS | 717 | 11717003-06 | STOPPER PIN |
| 216 | 11216001-06001 | ANTI-RE PAWL SPRING | 718 | 11718003-06 | MAIN SHAFT |
| 300 | 11300003101832 | LEFT SIDE PLATE | 913 | 11913001-05907 | SPRING WASHER |
| 303 | 11303003-03907 | CLICK BOTTOM | 9101 | 01081605-6 | MAIN SHAFT BALL BEARING |
| 304 | 11304003-06 | CLICK PAWL | 9104 | 01102005-6 | PRESSURE LOAD BLOCK BALL BEAR |
| 305 | 11305001-01 | CLICK PAWL SPRING | 9105 | 01061505-6 | DRAG WASHER BALL BEARING |
| 400 | 11400006-049091 | SPOOL | 9201 | 029.1x18x0.3-1 | WASHER |
| 401 | 11401002-02905 | CLICK GEAR | 9202 | 029.1x13x0.2-6 | HANDLE COVER WASHER |
| 403 | 11403001-06 | LOCATING PIN | 9203 | 0210x15x0.5-6 | PRESSURE LOAD WASHER |
| 404 | 11404002-03001 | PRESSURE LOAD BLOCK | 9204 | 026x13x0.4-8 | HANDLE NUT WASHER |
| 405 | 11405005-01 | SPOOL COVER | 9206 | 024.05x10x0.2-8 | CLICK BUTTON WASHER |
| 500 | 11500009165 | HANDLE | 9207 | 022x4.9x0.1-3 | WASHER |
| 501 | 11501005-06 | HANDEL NUT | 9208 | 0210.1x23.8x1-9 | DRAG LEVER SPACER |
| 513 | 11513006-063 | HANDLE COVER | 9208-1 | 0210.1x23.8.6-6 | DRAG LEVER THRUST WASHER |
| 515 | 11515001-03907 | HANDLE SCREW CAP WASHER | 9211 | 029.1x13x0.3-6 | DRIVE GEAR WASHER |
| 516 | 11516006-06 | HANDLE NUT RETAINER | 9213 | 023.0x7x0.5-6 | CLICK PAWL WASHER |
| 600 | 11600013-03907 | CAST CONTROL CAP | 9301 | 03224x21-61 | BODY COVER SCREW |
| 601 | 11601001-06 | COMPRESSION SPRING | 9302 | 0342x3x6-61 | SUPPORT PLATE SCREW |
| 602 | 11602001-05 | ADJUST BLOCK | 9305 | 03122.6x8-61 | STOPPER SHIELD SCREW |
| 603 | 11603001-07 | *O-RING | 9306 | 03222.6x9.5-61 | DECORATION PLATE SCREW |
| 605 | 11605002-0183 | LEVEL DRAG | 9309 | 03224x24-61 | HANGER SCREW |
| 606 | 11606001-06 | LEVEL DRAG CLICK PAWL | 9310 | 03214x26-617 | BODY COVER SCREW |
| 607 | 11607004-02003 | PINIONGUARD | 9310-1 | 03214x13-617 | BODY FOOT SCREW |
| 608 | 11608002-06 | DRAG WASHER RETAINER | 9312 | 03322.6x7.5-61 | TRANSMISSION GEAR SCREW |
| 611 | 11611004-00 | EARED WASHER | 9313 | 03327.52.6x6-61 | CLICK PAWL SPRING SCREW |
| 612 | 11612004-061 | KEY WASHER | 9314 | 03212.6x5.5-61 | CLICK GEAR SCREW |
| 613 | 11613002-06 | CLICK RETAINER SPRING | 9318 | 03422x5.5-61 | DRAG LEVER CLICK PAWL SCREW |
| 700 | 11700002-03002 | DRIVE GEAR | 9319 | 03312x5-61 | CLICK BUTTON SCREW |
| 701 | 11701002-26 | DRIVE GEAR SHAFT | 9321 | 034111.5x4x8-61 | DRIVE GEAR SHAFT SCREW |
| 702 | 11702003-06003 | PINION GEAR | 9404 | 11900001-06 | "E" CLIP |