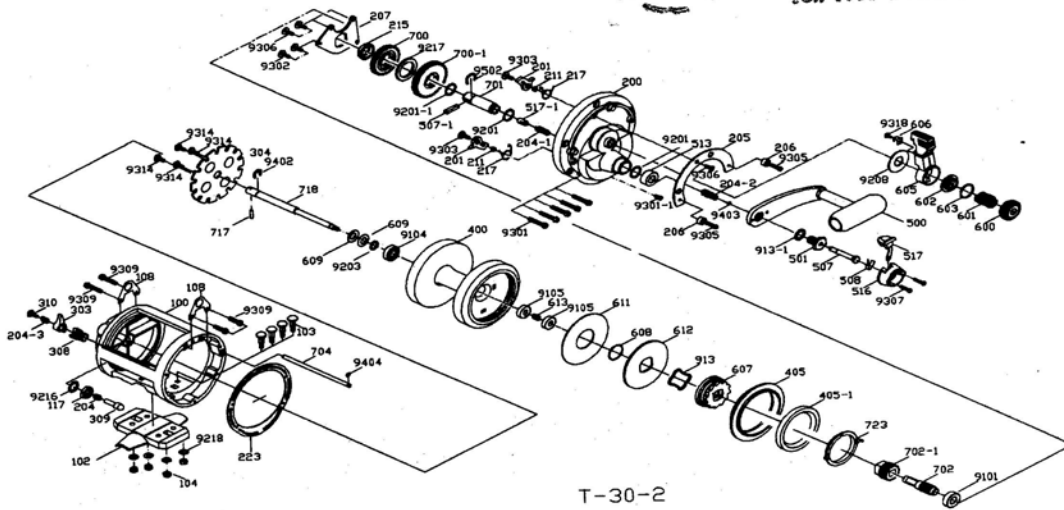




MIKE'S REEL REPAIR
 #108 - 31060 Peardonville Road
 Abbotsford, B.C., Canada V2T 6K5
 Toll Free 1-888-404-1119



T-30-2

T-30-2 SPEED SPARE PARTS LIST

X-MEANS PAINT OR INJ.

S-MEANS SERIES NUMBER

| KEY NO. | PARTS NO. | PARTS NAMES | KEY NO. | PARTS NO. | PARTS NAMES |
|---------|----------------|-------------------------------|---------|-----------------|---------------------------|
| | | | 607 | 11607009-06002 | PINION GUARD |
| 100 | 1110002901002 | MAIN BODY ASSY. | 608 | 11608003-06 | DRAG WASHER RETAINER |
| 102 | 11102007-04001 | BODY FOOT | 609 | 11609006-05907 | MAIN SHAFT SPRING WASHER |
| 103 | 11103002-067 | BODY FOOT SCREW | 611 | 11611007-067 | DRAG WASHER |
| 104 | 11104001-06 | BODY FOOT SCREW NUT | 612 | 11612009-06002 | KEY WASHER |
| 108 | 11108004-0681 | HANGER | 613 | 11613010-06 | COMPRESSION SPRING |
| 117 | 11117004-13 | DRIVE GEAR SHAFT LOCKNUT | 700 | 11700009-06005 | DRIVE GEAR |
| 200 | 1120003801002 | RIGHT SIDE PLATE | 700-1 | 11700010-06005 | DRIVE GEAR |
| 201 | 11201009-06001 | ANTI-REVERSE PAWL | 701 | 11701012-167 | DRIVE GEAR SHAFT |
| 204 | 11204002-06 | COMPRESSION SPRING | 702 | 11702014-06003 | PINION GEAR |
| 204-1 | 11204003-05001 | COMPRESSION SPRING | 702-1 | 11702015-06003 | PINION GEAR |
| 204-2 | 11204004-06 | COMPRESSION SPRING | 704 | 11704010-03907 | STABILIZER BAR |
| 204-3 | 11204005-06002 | COMPRESSION SPRING | 717 | 11717003-06 | STOPPER PIN |
| 205 | 11205008-061 | DECORATION PLATE | 718 | 11718032-06001 | MAIN SHAFT |
| 206 | 11206001-03001 | LEVER DRAG STOPPER CAP | 723 | 11723001-01001 | SILENT SPRING |
| 207 | 11207008-04001 | HOLD PLATE | 913 | 11913001-05907 | SPRING WASHER |
| 211 | 11211004-03907 | ANTI-REVERSE PAWL BUSHING | 913-1 | 11913002-06001 | SPRING WASHER |
| 215 | 11215005-03 | HOLD PLATE BUSHING | 9101 | 01091705-6 | BALL BEARING |
| 217 | 11217004-06001 | COMPRESSION SPRING | 9104 | 01081906-6 | BALL BEARING |
| 223 | 11223001-07 | WATER PROOF PACKING | 9105 | 01061505-6 | BALL BEARING |
| 303 | 11303009-04002 | CLICK BUTTON | 9201 | 0212x15x0.5-3 | WASHER |
| 304 | 11304007-06001 | CLICK PAWL | 9201-1 | 0212x15x0.7-3 | WASHER |
| 308 | 11308001-06002 | CLICK TONGUE BUSHING | 9203 | 028x10.5x0.8-6 | WASHER |
| 309 | 11309001-261 | CLICK PIN | 9208 | 0210.1x23.8x1-9 | LEVER DRAG WASHER |
| 310 | 11310001-06002 | CLICK PIN SCREW | 9216 | 028.1x12x0.5-1 | WASHER |
| 400 | 11400035-04004 | SPOOL ASSY | 9217 | 0217.2x24x2-10 | WASHER |
| 405 | 11405010-11 | SPOOL COVER | 9218 | 024.6x8x0.2-6 | WASHER |
| 406 | 11405013-07001 | WATER PROOF DRAG SEAL | 9301 | 03423.0x16-61 | RIGHT SIDE PLATE SCREW |
| 500 | 1150001716 | HANDLE ASSY | 9301-1 | 03123.0x12.5-61 | RIGHT SIDE PLATE SCREW |
| 501 | 11501008-26 | HANDLE NUT | 9302 | 03322.6x7.5-61 | PAWL SCREW |
| 507 | 11507006-11 | CLUTCH BUTTON | 9303 | 03327.52.613-61 | ANTI-REVERSE PAWL SCREW |
| 507-1 | 11507004-05907 | DRIVE GEAR TRANSMISSION PIN | 9305 | 03122.6x8-61 | SIDE PLATE SCREW |
| 508 | 11508002-06 | CLUTCH BUTTON RETAINER SPRING | 9306 | 03222.6x9.5-61 | SIDE PLATE SCREW |
| 513 | 11513009-06 | HANDLE COVER | 9307 | 03212.6x13-61 | HANDLE NUT RETAINER SCREW |
| 516 | 11516004-01 | HANDLE NUT RETAINER | 9309 | 03114.0x10-61 | HANGER SCREW |
| 517 | 11517003-06001 | CONTROL PIN | 9314 | 03412.6x5-61 | CLICK PAWL SPRING SCREW |
| 517-1 | 11517004-23907 | CONTROL PIN | 9318 | 03422x5.5-61 | CLICK PAWL SCREW |
| 600 | 11600013-03907 | DRAG KNOB | 9402 | 11900004-06 | "E" RETAINER |
| 601 | 11601001-06 | COMPRESSION SPRING | 9403 | 12900001-06 | "E" RETAINER |
| 602 | 11602001-05 | ADJUST BLOCK | 9404 | 13509001-06 | "E" RETAINER |
| 603 | 11603001-07 | "O" OIL SEAL | 9502 | 11901003-06001 | "C" RETAINER |
| 605 | 11605002-0183 | LEVER DRAG | | | |
| 606 | 11606001-06 | DRAG LEVER CLOCK PAWL | | | |