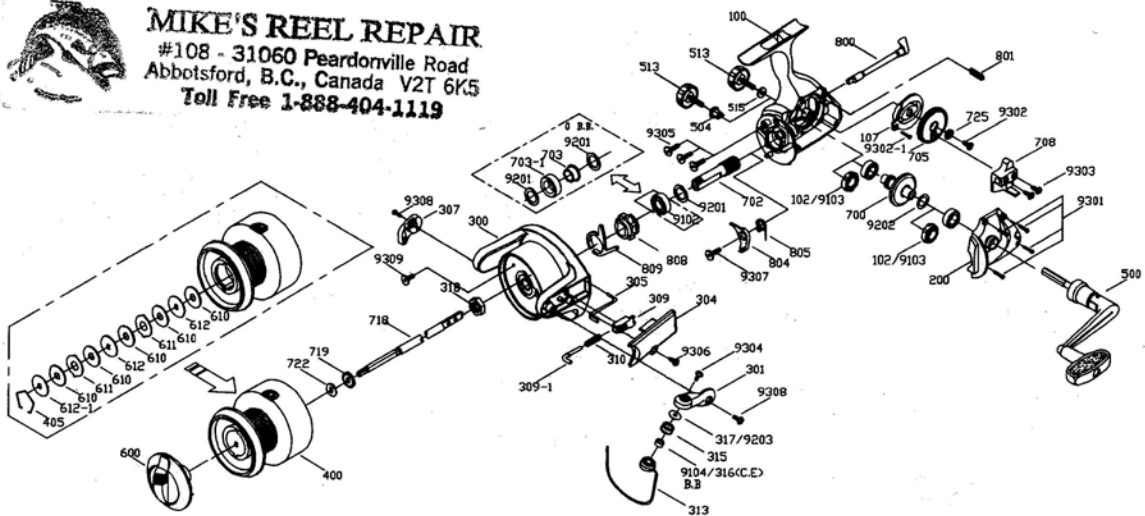




**MIKE'S REEL REPAIR**  
 #108 - 31060 Peardorville Road  
 Abbotsford, B.C., Canada V2T 6K5  
 Toll Free 1-888-404-1119



**FS-65/80.**

SIZE	65	80		SIZE	65	80	
KEYNO.	PARTS NO.	PARTS NO.	PARTS NAMES	KEYNO.	PARTS NO.	PARTS NO.	PARTS NAMES
100	12100026-01001	12100026-01001	MAIN BODY ASSY.	702	12702007-132	12702007-132	PINION GEAR
102	12102002-01	12102002-01	SIDE PLATE BUSHING	705	1270500712	1270500712	OSCILLATING GEAR ASSY.
107	12107001-020	12107001-020	OSCILLATING TRACK	708	12708010-020	12708010-020	OSCILLATING SLIDER
200	12200026-01	12200026-01	SIDE PLATE ASSY.	718	12718011-05001	12718011-05001	MAIN SHAFT
300	12300104-01	12300105-01	ROTOR	719	12719004-06	12719004-06	CLICK GEAR
301	12301027-01001	12301027-01001	BAIL ARM	722	12722013-01	12722013-01	CLICK GEAR WASHER
304	12304047-01	12304047-01	BAIL ARM COVER	725	12725001-13	12725001-13	OSCILLATING GEAR BUSHING
305	12305051-05	12305058-05	KICK LEVEL	800	12800006-01	12800006-01	ANTI-REVERSE LEVER
307	12307022-129051	12307022-129051	BAIL HOLDER	801	12801003-06	12801003-06	ANTI-REVERSE LEVER SPRING
309	12309010-01	12309010-01	BAIL HOLDER	804	12804006-020	12804006-020	ANTI-REVERSE PAWL
309-1	12309013-061	12309013-061	BAIL ARM YOKE	805	12805008-06	12805008-06	ANTI-REVERSE PAWL SPRING
310	12310012-06	12310012-06	BAIL ARM SUPPORT PIN	808	12808008-020	12808008-020	RATCHET
313	1231308006001	1231308106001	BAIL ASSY.	809	12809006-01	12809006-01	SILENT SPRING
315	12315014-03	12315014-03	LINE ROLLER	9102	01102006-5	01102006-5	BALL BEARING
316	12316003-01	12316003-01	LINE ROLLER BUSHING	9201	0210x15x0.5-6	0210x15x0.5-6	PINION GEAR WASHER
318	12318002-03	12318002-03	ROTOR NUT	9202	029.1x13x0.3-6	029.1x13x0.3-6	DRIVE GEAR WASHER
400	1240015204007	1240016204006	NORMAL SPOOL ASSY	9203	023.5x12.1x.5-6	023.5x12.1x.5-6	LINE ROLLER WASHER
405	12405001-06	12405001-06	DRAG WASHER RETAINER	9301	03123x13-53	03123x13-53	SIDE PLATE SCREW
500	1250002504702	1250002504702	BALANCE HANDLE ASSY.	9302	03222.6x8-53	03222.6x8-53	OSCILLATING GEAR BUSHING SCREW
504	12504002-01	12504002-01	HANDLE SCREW CAP WASHER	9302-1	03122.6x6-53	03122.6x6-53	OSCILLATING TRACK SCREW
513	12513003-01	12513003-01	HANDLE SCREW CAP	9303	03212.6x6-53	03212.6x6-53	OSCILLATING SLIDER SCREW
600	1260002401A	1260002401A	DRAG KNOB	9304	03413.5x9-53	03413.5x9-53	LINE ROLLER SCREW
610	12610003-003	12610003-003	DRAG WASHER	9305	03327.52.6x6-53	03327.52.6x6-53	BALL BEARING SCREW
611	12611003-06	12611003-06	EARED WASHER	9306	03422.6x8-53	03422.6x8-53	ROTOR COVER SCREW
612	12612006-06001	12612006-06001	KEY WASHER	9307	03327.52.613-53	03327.52.613-53	ANTI-REVERSE PAWL SCREW
612-1	12612006-06003	12612006-06003	KEY WASHER	9308	03424x10-53	03424x10-53	BAIL ARM SCREW
700	12700024-121	12700024-121	DRIVE GEAR	9309	03328.52.6x6-53	03328.52.6x6-53	ROTOR NUT SCREW