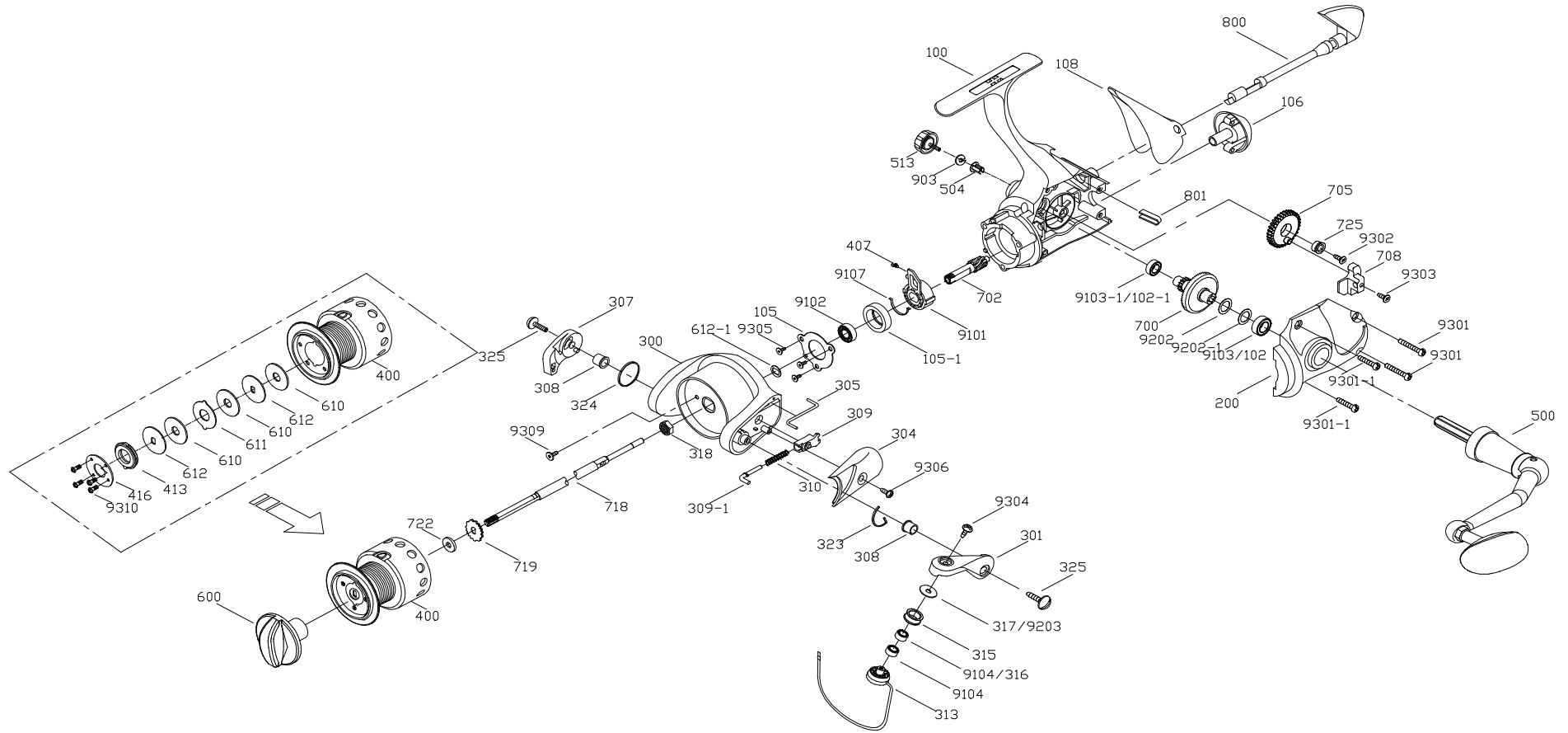


Spinning

Spinning

EFS-20,30



EFS 30 SPARE PARTS LIST

KEYNO	PARTNAME	PARTSNO	KEYNO	PARTNAME	PARTSNO
100	MAIN BODY	1210007321614	612	KEY WASHER	12612023-06
105	PINION BEARING FIX PLATE	12105008-06	614	DRAG KNOB HOLDER	12614003-06
105-1	PINION BEARING FIX BUSHING	12105009-03	700	DRIVE GEAR	12700017-1211
106	DRAG KNOB SEAT	12106017-019141	702	PINION GEAR	12702057-0321
108	BODY/SIDE PLATE COVER	12108001-0A915	705	OSCILLATING GEAR	12705022-02
200	SIDE PLATE	12200057-11614	708	OSCILLATING SLIDER	12708043-028
300	ROTOR	12300107-01613	718	MAIN SHAFT	12718103-06
301	BAIL ARM	12301024-11614	719	CLICK GEAR	12719011-06
304	BAIL ARM COVER	12304037-01614	722	CLICK GEAR WASHER	12722015-01
305	KICK LEVEL	12305054-05	725	OSCILLATING GEAR BUSHING	12725018-03
307	BAIL HOLDER	12307021-12614	800	ANTI-REVERSE/ANTI-RE LEVEL	12800027-0170
308	BAIL ARM BUSHING	12308007-03907	801	ANTI-RE LEVEL SPRING	12801013-06
309	BAIL ARM YOKE	12309008-012	9101	ONE WAY BEARING	010717-582
309-1	BAIL ARM SUPPORT PIN	12309012-061	9102	PINION GEAR BALL BEARING	01071405-61
310	COMPRESSION SPRING	12310007-161	9103	SIDE PLATE /MAIN BODY BALL B	01081404-61
313	BAIL	1231305506002	9103-1	MAIN BODY BALL BEARING	01071103-61
315	LINE ROTOR	12315018-00	9104	LINE ROTOR BALL BEARING	01050825-61
318	ROTOR NUT	12318011-06	9106	SPOOL BALL BEARING	01040725-61
320	BALANCE WEIGHT	12320083-09	9107	BALL BEARING DRAG WASHER	010717-592
323	BAIL ARM WASHER	12323003-01	9202	DRIVE GEAR WASHER	028.1x12x0.3-6
324	BAIL HOLDER WASHER	12324003-01	9203	LINE ROTOR WASHER	023.5x12.1x.5-6
325	BAIL ARM AND HOLDER SCREW	12325001-061	9301	SIDE PLATE SCREW	03122.6x10-61
400	SPOOL	1240033204001	9301-1	SIDE PLATE SCREW	03122.6x15-61
407	CLUTCH LEVEL SPRING	12407006-164	9302	OSCILLATING GEAR SCREW	03222.6x4.5-61
500	HANDLE	1250004024614	9303	OSCILLATING SLIDER SCREW	03212.3x7-611
504	HEXAGON SCREW	12504003-01	9304	LINE ROTOR SCREW	03412.6x7.5-61
513	HANDLE SCREW CAP	12513013-0A915	9305	PINION GEAR BEARING SCREW	03325.92.66.561
600	DRAG KNOB	12600042-01613	9306	BAIL ARM COVER SCREW	03422.6x8-61
601	DRAG NUT	12601001-030	9309	ROTOR NUT SCREW	033272.6x4.5-61
602	DRAG SPRING	12602001-06	9310	SPOOL RIM SCREW	03212x8-61
606	CLICK PIN	12606004-06	9312	HEXAGON SHAFT SCREW	03418.1x3x12-61
607	DRAG KNOB HOLDER	12607004-12905	9314	DRAG KNOB SCREW	03222x5-61
			9315	BALANCE WEIGHT SCREW	03122.6x4-61

