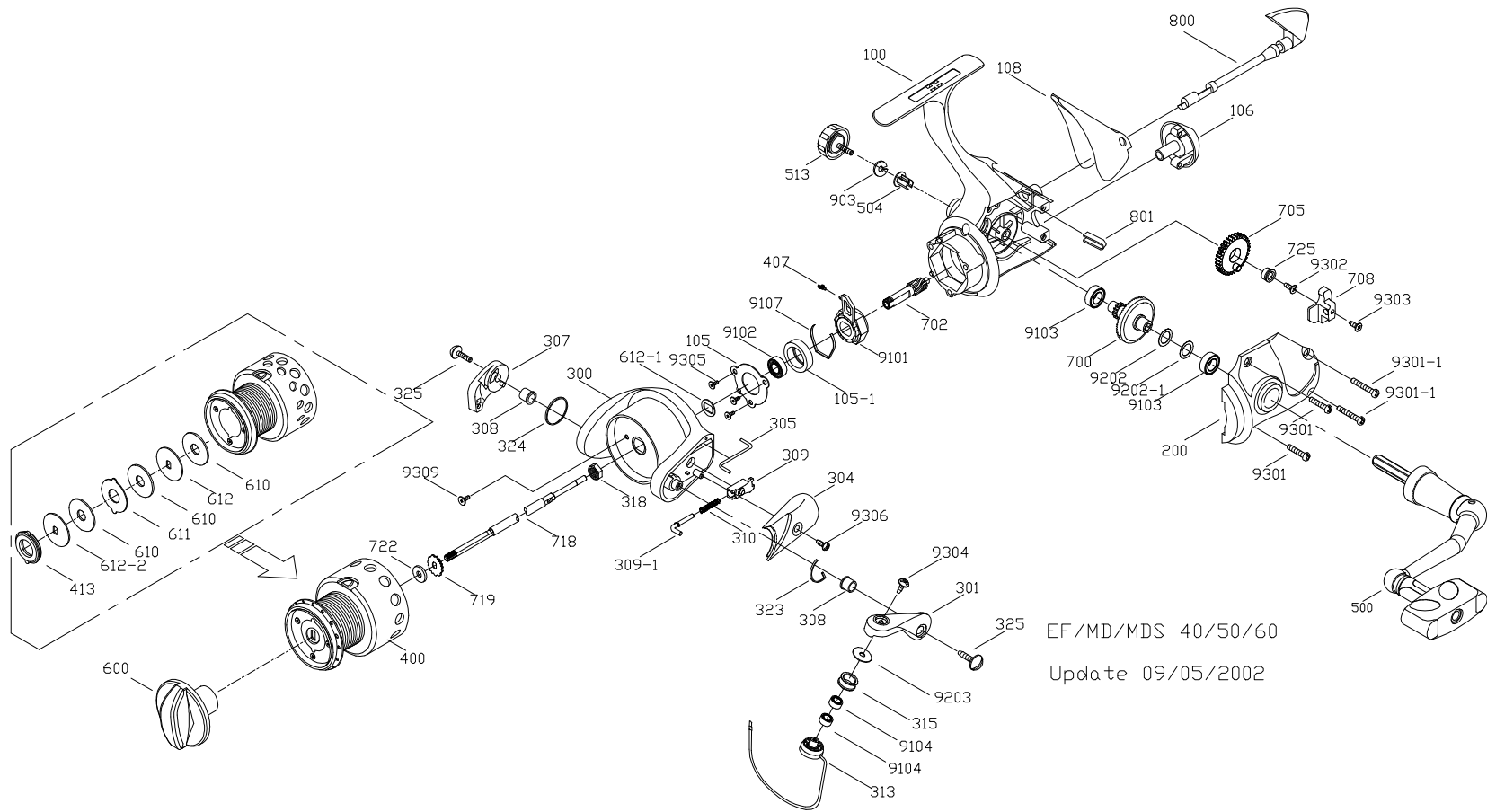


# Spinning

Spinning EF-40,50,EFS-40,50



EF/MD/MDS 40/50/60  
Update 09/05/2002

KEYNO	PARTNAME	PARTSNO	KEYNO	PARTNAME	PARTSNO
100	MAIN BODY	1210007411614	607	DRAG KNOB HOLDER	12607004-12905
105	PINION BEARING FIX PLATE	12105010-06	612	KEY WASHER	12612024-06
105-1	PINION BEARING FIX BUSHING	12105011-03	614	DRAG KNOB HOLDER	12614003-06
106	DRAG KNOB SEAT	12106017-01914	700	DRIVE GEAR	12700021-12111
108	BODY/SIDE PLATE COVER	12108002-0A915	702	PINION GEAR	12702056-032
200	SIDE PLATE	12200058-01614	705	OSCILLATING GEAR	12705024-02
300	ROTOR	12300109-01613	708	OSCILLATING SLIDER	12708042-028
301	BAIL ARM	12301025-11614	718	MAIN SHAFT	12718101-06
304	BAIL ARM COVER	12304053-01614	719	CLICK GEAR	12719012-06
305	KICK LEVEL	12305046-05	722	CLICK GEAR WASHER	12722015-01
307	BAIL HOLDER	12307022-12614	725	OSCILLATING GEAR BUSHING	12725018-03
308	BAIL ARM BUSHING	12308006-03907	800	ANTI-REVERSE/ANTI-RE LEVEL	12800028-0170
309	BAIL ARM YOKE	12309010-01	801	ANTI-RE LEVEL SPRING	12801013-06
309-1	BAIL ARM SUPPORT PIN	12309013-061	9101	ONE WAY BEARING	010824-562
310	COMPRESSION SPRING	12310012-06	9102	PINION GEAR BALL BEARING	01081605-61
313	BAIL	1231305706002	9103	SIDE PLATE /MAIN BODY BALL B	01081404-61
315	LINE ROTOR	12315018-00	9104	LINE ROTOR BALL BEARING	01050825-61
318	ROTOR NUT	12318010-06	9106	SPOOL BALL BEARING	01040725-61
320	BALANCE WEIGHT	12320087-09	9107	BALL BEARING DRAG WASHER	010824-572
323	BAIL ARM WASHER	12323004-01	9202	DRIVE GEAR WASHER	028.1x12x0.2-6
324	BAIL HOLDER WASHER	12324004-01	9203	LINE ROTOR WASHER	023.5x12.1x.5-6
325	BAIL ARM AND HOLDER SCREW	12325002-061	9301	SIDE PLATE SCREW	03122.6x10-61
400	SPOOL	12400758104901	9301-1	SIDE PLATE SCREW	03122.6x15-61
407	CLUTCH LEVEL SPRING	12407006-16	9302	OSCILLATING GEAR SCREW	03222.6x6-61
500	HANDLE	1250004124614	9303	OSCILLATING SLIDER SCREW	03212.3x7-611
504	HEXAGON SCREW	12504003-01	9304	LINE ROTOR SCREW	03413.5x9-61
513	HANDLE SCREW CAP	12513013-0A915	9305	PINION GEAR BEARING SCREW	03325.92.66.561
600	DRAG KNOB	12600042-01613	9306	BAIL ARM COVER SCREW	03422.6x8-61
601	DRAG NUT	12601001-030	9309	ROTOR NUT SCREW	033272.6x4.5-61
602	DRAG SPRING	12602001-06	9310	SPOOL RIM SCREW	03212x8-61
606	CLICK PIN	12606004-06	9312	HEXAGON SHAFT SCREW	03418.1x3x12-61
			9314	DRAG KNOB SCREW	03222x5-61

