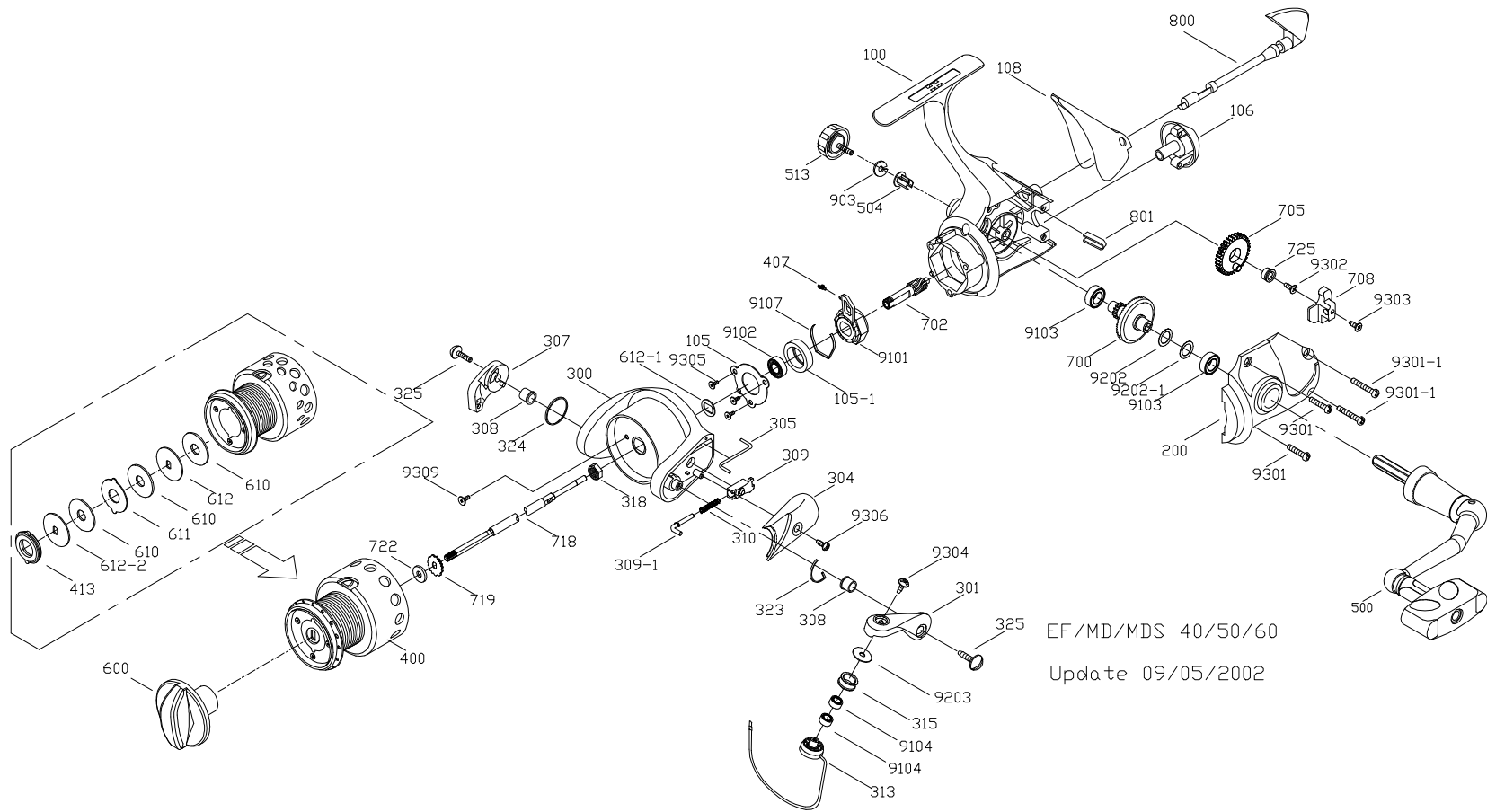


# Spinning

Spinning EF-40,50,EFS-40,50



EF/MD/MDS 40/50/60  
Update 09/05/2002

KEY NO	PARTS NAME	PARTS NO	KEY NO	PARTS NAME	PARTS NO
100	MAIN BODY ASSY	1210007411614A	611	EARED WASHER	12611008-06001
105	PINION BEARING FIX PLATE	12105010-06	612	KEY WASHER	12612019-06001
105-1	PINION BEARING FIX BUSHING	12105024-01001	612-1	KEY WASHER	12612024-06
106	DRAG KNOB SEAT	12106017-01914	612-2	KEY WASHER	12612019-06002
108	BODY/SIDE PLATE COVER	12108002-0A915	700	DRIVE GEAR	1270002103
200	SIDE PLATE	12200058-01614	702	PINION GEAR	12702056-03002
300	ROTOR	12300108-01613	705	TRANSMISSION GEAR	12705023-02
301	BAIL ARM	12301025-01614	708	OSCILLATING SLIDER	12708042-028
304	BAIL ARM COVER	12304038-01614	718	MAIN SHAFT	12718100-06
305	KICK LEVER	12305048-05	719	CLICK GEAR	12719012-06
307	BAIL HOLDER	12307022-12614	722	CLICK GEAR WASHER	12722015-01
308	BAIL ARM BUSHING	12308006-03907	725	TRANSMISSION GEAR BUSHING	12725018-03
309	BAIL ARM YOKE	12309009-01	800	ANTI-REVERSE LEVER	12800028-0170
309-1	BAIL ARM SUPPORT PIN	12309016-06001	801	ANTI-REVERSE LEVER SPRING	12801013-06
310	COMPRESSION SPRING	12310012-06	903	SPRING WASHER	12903001-06
313	BAIL ASSY.	1231307806002F	9101	ONE WAY BEARING	010824
313	BAIL ASSY.	1231307906002F	9102	PINION GEAR BALL BEARING	01081605-61
315	LINE ROLLER	12315020-03917	9103	SIDE PLATE BALL BEARING	01081404-61
318	ROTOR NUT	12318010-03	9104	LINE ROLLER BALL BEARING	01050825-61
323	BAIL ARM WASHER	12323004-011	9107	BALL BEARING DRAG WASHER RETAINER	010824-06001
324	BAIL HOLDER WASHER	12324004-011	9202	DRIVE GEAR WASHER	028.1x12x0.2-6
325	BAIL ARM/ BAIL HOLDER SCREW	12325002-061	9203	LINE ROLLERWASHER	023.5x12.1x.5-6
400	NORMAL SPOOL ASSY	1240007304022A	9301	SIDE PLATE SCREW	03122.6x10-61
400-1	SPARE SPOOL ASSY	1240009901001	9301-1	SIDE PLATE SCREW	03122.6x15-61
407	CLUTCH LEVER SPRING	12407006-16	9302	OSCILLATING GEAR SCREW	03222.6x6-61
413	WATER PROOF RETAINER	12413003-07	9303	OSCILLATING SLIDER SCREW	03212.3x7-611
416	SPOOL HOLD PLATE	12416005-06001	9304	LINE ROTOR SCREW	03413.5x9-61
500	HANDLE ASSY.	1250005004927A	9305	PINION GEAR BEARING SCREW	03325.92.66.561
504	HEXAGON SCREW	12504004-0114	9306	BAIL ARM COVER SCREW	03422.6x8-61
513	HANDLE SCREW CAP	12513019-0A915	9309	ROTOR NUT SCREW	033272.6x4.5-61
600	DRAG KNOB	1260004201613	9310	SPOOL RIM SCREW	03212x5-61
610	DRAG WASHER	12610010-000			