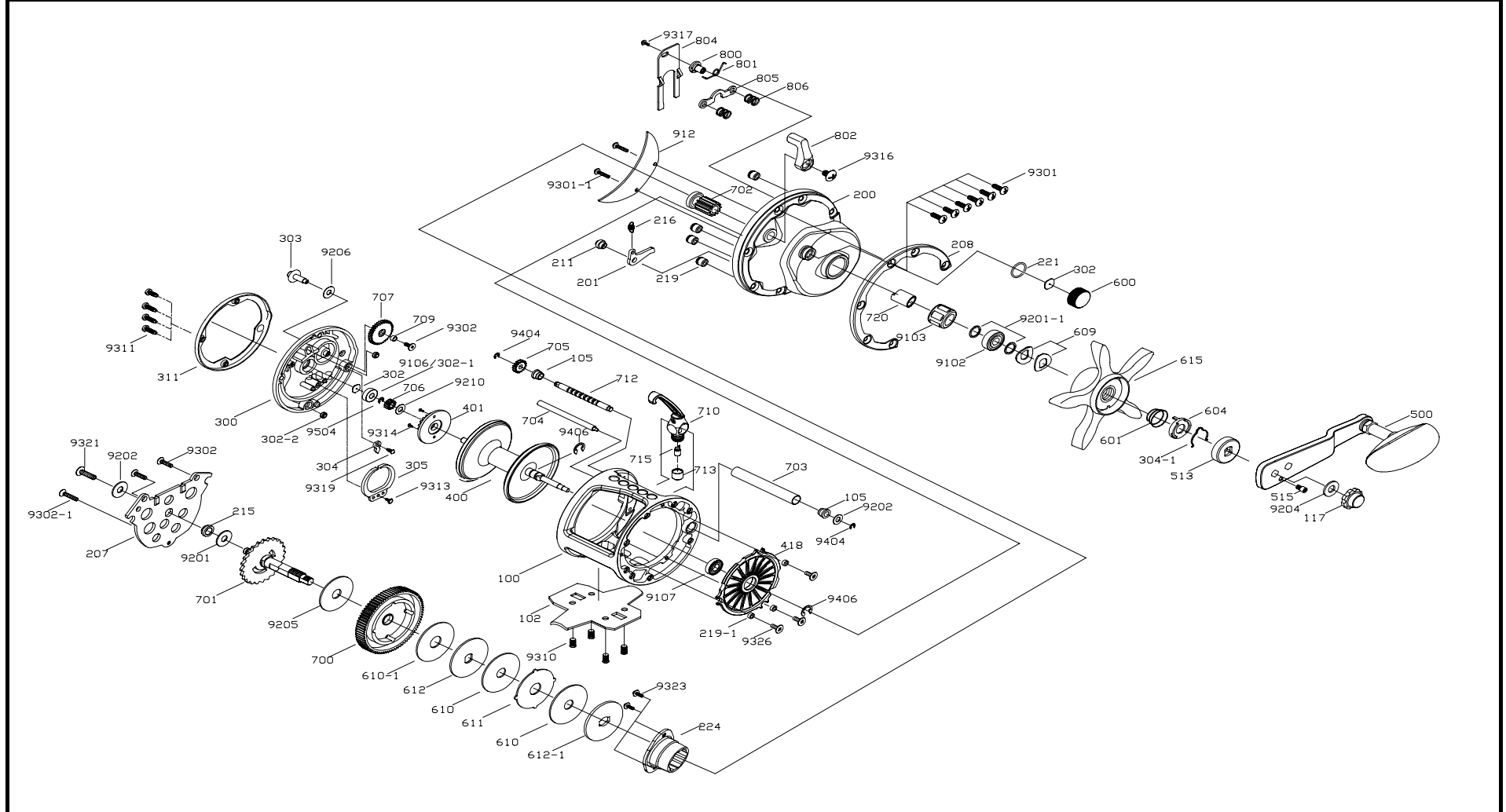




Star Drag

CT - 45C , 45CS



CT - 45CS SPARE PARTS LIST

KEY NO.	PARTS NAMES	PARTS NO.	KEY NO.	PARTS NAMES	PARTS NO.
100	MAIN BODY ASSY.	11100064-04003	615	STAR DRAG	11615009-04002
102	BODY FOOT	11102008-06002	700	DRIVE GEAR	1170002606002
117	HANDLE NUT	11117007-03001	701	DRIVE GEAR SHAFT ASSY	1170103706001
200	RIGHT SIDE PLATE	11200069-01A01C	702	PINION GEAR	1170203206002
201	ANTI-REVERSE PAWL	11201013-06001	720	ONE WAY CLUTCH INNER RING	11720003-06001
207	HOLD PLATE	11207024-06001	800	CLUTCH CAM	11800004-02002
208	SIDE PLATE COVERS	11208014-06001	801	CLUTCH CAM SPRING	11801005-06001
211	ANTI-REVERSE PAWL PIN	11211005-03001	802	CLUTCH BAR	11802004-01
215	HOLD PLATE BUSHING	11215011-03001	804	CLUTCH CAM SLIDER	11804008-06001
216	ANTI-REVERSE PAWL SPRING	11216001-06002	805	PINION GEAR YOKE	11805004-06001
219	RIGHT SIDE PLATE BUSHING	11219012-03	806	YOKE SPRING	11806001-061
219-1	RIGHT SIDE PLATE SCREW BUSHING	11219018-03001	912	COVER BOARD	11912007-04001
221	ANTI-REVERSE PAWL PIN	11221001-07	9102	BALL BEARING	01081605-61
224	ONE WAY CLUTCH BEARING CAP	11224001-02905	9103	ONE WAY CLUTCH BEARING	01101609-6
300	LEFT SIDE PLATE	11300026-01	9106	BALL BEARING	01041104-61
302	SPACER	11302002-01001	9107	BALL BEARING	01061335-61
302-2	LEFT SIDE PLATE BUSHING	11302009-03	9201	DRIVE GEAR SHAFT WASHER	025.1x11.5x.5-6
303	CLICK BUTTON	11303004-03907	9201-1	DRIVE GEAR SHAFT WASHER	028x10x0.5-6
304	CLICK PAWL	11304003-06	9202	DRIVE GEAR SHAFT WASHER	025.1x10.5x.2-6
304-1	CLICK SPRING	11304009-06001	9204	HANDLE NUT WASHER	026x13x0.4-8
305	CLICK PAWL SPRING	11305001-01002	9205	DRIVE GEAR WASHER	028x36x1-1
311	SIDE PLATE COVERS	11311005-06001	9206	CLICK BUTTON WASHER	024.05x10x0.2-8
400	ALUMINUM SPOOL ASSY.	11400034-14005	9301	RIGHT SIDE PLATE SCREW	03213x11.8-61
401	CLICK GEAR	11401001-05002	9301-1	RIGHT SIDE PLATE SCREW	03122.6x9-61
418	BALL BEARING HOLD PLATE	11418003-01001	9302	HOLD PLATE SCREW	03327.52.67.561
500	BALANCE WEIGHT HANDLE ASSY.	1150002404006	9302-1	HOLD PLATE SCREW	03222.6x9.5-61
513	HANDLE COVER	11513010-01001	9310	BODY FOOT SCREW	03213x6-61002
515	HANDLE NUT HOLDER SCREW	11515001-03907	9311	LEFT SIDE PLATE SCREW	03213x10.5-61
600	CAST CONTROL CAP	11600016-03001	9313	CLICK PAWL SPRING SCREW	03327.52.6x6-61
601	COMPRESSION SPRING	14601001-16	9314	CLICK GEAR SCREW	03212x5-61
604	CONTROL CLICK	11604002-01001	9316	CLUTCH BAR SCREW	03414x5-617
609	DRAG SPRING WASHER	14609003-05907	9317	CLUTCH CAM SCREW	03312x3.5-61
610	DRAG WASHER	11610006-01002	9319	CLICK BOTTOM SCREW	03312x5-61
610-1	DRAG WASHER	11610005-01001	9321	DRIVE GEAR SHAFT SCREW	03319.4x3x7-61
611	EARED WASHER	11611012-06001	9323	ONE WAY CLUTCH BEARING SCREW	03222.6x4.5-61
612	KEY WASHER	11612012-06002	9326	BADY CLUTCH BEARING CAP SCREW	03327x2.6x4-61
612-1	KEY WASHER	11612015-06001	9406	SPOOL BEARING "C" RETAINER	12900006-06001