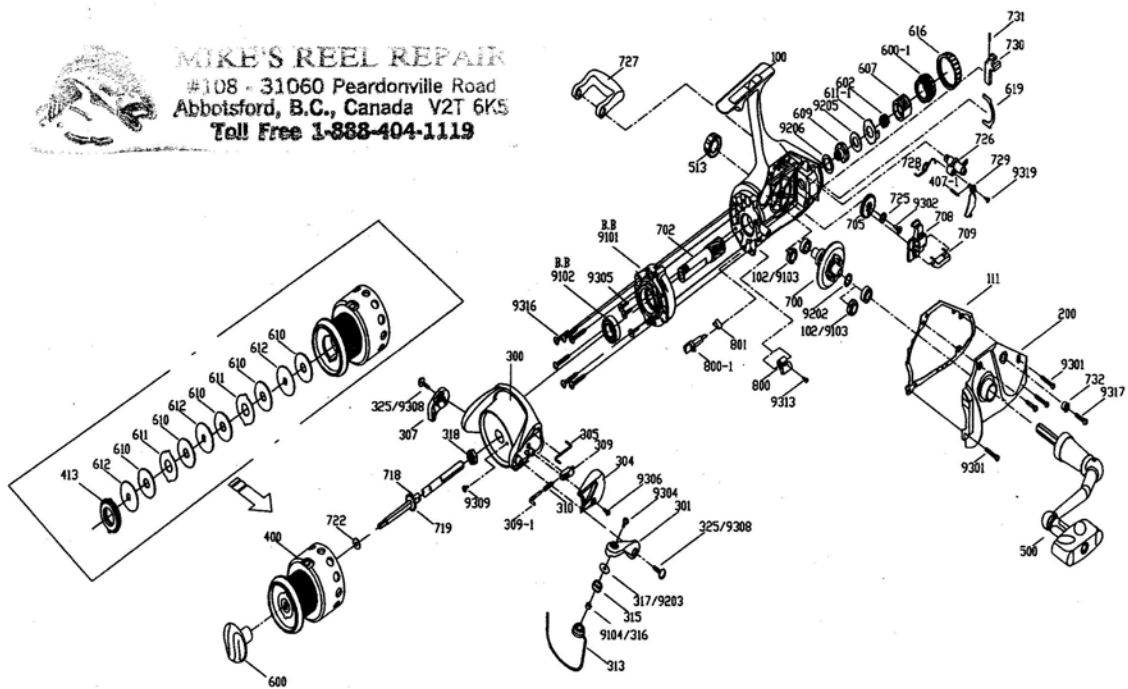




MIKE'S REEL REPAIR
 #108 - 31060 Peardonville Road
 Abbotsford, B.C., Canada V2T 6K5
 Toll Free 1-888-404-1119



CD-90

X-MEANS PAINT OR INJ. COLOR

KEY NO.	PARTS NO.	PARTS NAMES	KEY NO.	PARTS NO.	PARTS NAMES
100	1210010101419A	MAIN BODY	705	12705027-12	TRANSMISSION GEAR
111	12111001-07	BODY AND SIDE PLATE WATER SEALED	708	12708044-02	OSCILLATION SLIDER
200	1220008001419	SIDE PLATE	709	12709003-06	"C" RETAINER
300	12300094-01419	ROTOR	718	12718116-06001	MAIN SHAFT
301	12301025-01419	BAIL ARM	719	12719004-06	CLICK GEAR
304	12304043-01419	BAIL ARM COVER	722	12722013-01	CLICK GEAR WASHER
305	12305051-05	KICK LEVEL	725	12725017-03	TRANSMISSION GEAR BUSHING
307	12307022-124191	BAIL HOLDER	726	12726001-02002	CLUTCH LEVER SHAFT
309	12309010-012	BAIL ARM YOKE	727	12727001-01	CLUTCH LEVER
309-1	12309013-061	BAIL ARM SUPPORT PIN	728	12728001-16	CLUTCH LEVER SHAFT SPRING
310	12310012-06	COMPRESSION SPRING	729	12729001-06	CLUTCH KICK LEVER
313	1231308106001F	BAIL ASSEMBLY	730	12730001-06001	CLUTCH PLATE
315	12315014-03	LINE ROLLER	731	12731001-06	CLUTCH PLATE SPRING
316	12316003-01	LINE ROLLER BUSHING	732	12732001-03907	CLUTCH LEVER BUSHING
318	12318012-03	ROTOR NUT	800	12800029-01	ANTI-REVERSE LEVER
400	12400063204009	NORMAL SPOOL ASSY	800-1	12800043-01	ANTI-REVERSE LEVER
407	12407010-06	CLUTCH KICK LEVER SPRING	801	12801021-06	ANTI-REVERSE LEVER SPRING
413	12413001-07	WATER PROOF SLEEVE	9101	01104416	ONE WAY BEARING
500	1250005104907	HANDLE ASSEMBLY	9102	01102006-61	BALL BEARING
513	12513012-0A913	HANDLE SCREW CAP	9103	01091705-61	BALL BEARING
600	1260002401419	DRAG KNOB	9202	029.1x13x0.3-6	DRIVE GEAR WASHER
600-1	12600050-01	DRAG KNOB	9203	023.5x12.1x.5-6	LINE ROLLER WASHER
602	126020007-05907	DRAG KNOB SPRING	9205	0210x14.5x1-9	CLICK GEAR WASHER
607	12607029-03907	DRAG KNOB HOLDER	9206	026x15x1-9	DRAG WASHER
609	12609008-02907	CLICK GEAR	9301	03123X13-61	SIDE PLATE SCREW
610	12610003-000	DRAG WASHER	9302	03222.6x9.5-61	TRANSMISSION BUSHING SCREW
611	12611003-06	EARED WASHER	9304	03413.5x9-61	BAIL ARM SCREW
611-1	12611009-06	EARED WASHER	9305	03426.92.66.561	ROTOR NUT SCREW
612	12612006-06	KEY WASHER	9306	03422.6x8-61	ROTOR COVER SCREW
616	12616006-07	DRAG KNOB RUBBER RING	9308	03424x10-61	BAIL ARM AND HOLDER SCREW
619	12619003-06	MICRO DRAG KNOB RETAINER	9316	03422.6x17-61	BALANCE WEIGHT SCREW
700	12700036061	DRIVE GEAR ASSEMBLY	9317	03413x10-61	CLUTCH LEVER SCREW
702	12702007-162	PINION GEAR	9319	03422x3-61	CLICK PAWL SCREW